

ECMA

EUROPEAN COMPUTER MANUFACTURERS ASSOCIATION

STANDARD ECMA-120

DATA INTERCHANGE ON 12,7 mm
18-TRACK MAGNETIC TAPE
CARTRIDGES

2nd Edition – December 1987

ECMA

EUROPEAN COMPUTER MANUFACTURERS ASSOCIATION

STANDARD ECMA-120

DATA INTERCHANGE ON 12,7 mm
18-TRACK MAGNETIC TAPE
CARTRIDGES

2nd Edition – December 1987

BRIEF HISTORY

In 1985 ECMA decided to produce an ECMA Standard for a 12,7 mm, 18-Track Magnetic Tape Cartridge. Considerable work was invested in this project so that an urgently needed standard was developed rapidly and published in December 1986.

Upon request of ISO/TC97/SC11 this ECMA Standard has been contributed to ISO for further processing as draft international standard DIS 9661 under the ISO fast-track procedure.

The requirements for magnetic properties were defined in the first edition of Standard ECMA-120 by means of new tests not requiring to relate the performance of the tape under test to that of a Master Standard Reference Tape. Extensive work in several laboratories, specially in the USA, have shown in the meantime that these new tests present more difficulties than originally assessed and that much reliability and simplification could be achieved by reverting to the now classical use of a Master Standard Reference Tape. Such a tape will be established by the National Bureau of Standards (NBS) in Washington which will also make available a Secondary Standard Reference Tape.

As a consequence of these developments ISO DIS 9661 was reviewed accordingly and the original tests for the magnetic properties were replaced by tests based on the Master Standard Reference Tape. A small number of numeric values, in particular of the dimensions of the case, were also amended.

In this 2nd Edition of Standard ECMA-120 all these changes have been implemented so that it is technically identical with International Standard ISO 9661.

Adopted as the 2nd Edition of ECMA-120 by the General Assembly of ECMA on 10th December 1987.

TABLE OF CONTENTS

	<u>Page</u>
1. SECTION I - SCOPE AND CONFORMANCE, REFERENCES, DEFINITIONS	
1. SCOPE AND CONFORMANCE	1
1.1 Scope	1
1.2 Conformance	1
2. REFERENCES	1
3. DEFINITIONS	1
3.1 Average Signal Amplitude	1
3.2 Back Surface	1
3.3 Byte	1
3.4 Cartridge	1
3.5 Cyclic Redundancy Check Character	2
3.6 Data Density	2
3.7 Error Correcting Code	2
3.8 Flux Transition Position	2
3.9 Flux Transition Spacing	2
3.10 Magnetic Tape	2
3.11 Master Standard Reference Tape	2
3.12 Physical Recording Density	2
3.13 Postamble	2
3.14 Preamble	2
3.15 Reference Field	2
3.16 Secondary Standard Reference Tape	2
3.17 Standard Reference Amplitude	3
3.18 Standard Reference Current	3
3.19 Test Recording Current	3
3.20 Track	3
3.21 Typical Field	3
4. ENVIRONMENT AND SAFETY	3
4.1 Cartridge/Tape Testing Environment	3
4.2 Cartridge Operating Environment	3
4.3 Cartridge Storage Environment	4
4.4 Safety Requirements	4
4.4.1 Safeness	4
4.4.2 Flammability	4
4.5 Transportation	4
SECTION II - CHARACTERISTICS OF THE TAPE	
5. CHARACTERISTICS OF THE TAPE	5
5.1 Material	5
5.2 Tape Length	5
5.3 Tape Width	5
5.4 Tape Discontinuity	5
5.5 Total Thickness of Tape	5
5.6 Base Material Thickness	5

5.7	Longitudinal Curvature	5
5.8	Out-of-Plane Distortions	5
5.9	Cupping	5
5.10	Dynamic Frictional Characteristics	6
5.10.1	Frictional Drag Between the Recording Surface and the Tape Back Surface	6
5.10.2	Frictional Drag Between the Tape Recording Surface and Ferrite after Environmental Cycling	6
5.11	Coating Adhesion	7
5.12	Flexural Rigidity	8
5.13	Electrical Resistance of Coated Surfaces	9
5.14	Tape Durability	9
5.15	Inhibitor Tape	10
5.16	Tape Abrasivity	10
5.17	Pre-recording Condition	10
5.18	Magnetic Recording Characteristics	10
5.18.1	Typical Field	10
5.18.2	Signal Amplitude	11
5.18.3	Resolution	11
5.18.4	Overwrite	11
5.18.5	Narrow-Band Signal-to-Noise Ratio	12
5.19	Tape Quality	12
5.19.1	Missing Pulses	13
5.19.2	Missing Pulse Zones	13
5.19.3	Coincident Missing Pulse Zones	13
SECTION III - CARTRIDGE		
6.	DIMENSIONAL AND MECHANICAL CHARACTERISTICS OF THE CARTRIDGE	14
6.1	Overall Dimensions	15
6.2	Write-inhibit Mechanism	15
6.3	Label Area of the Rear Side	15
6.4	Label Area of the Top Side	16
6.5	Case Opening	16
6.6	Locating Notches	16
6.7	Locating Areas	17
6.8	Inside Configuration of the Case around the Case Opening	17
6.9	Other External Dimensions of the Case	17
6.10	Central Window	17
6.11	Stacking Ribs	18
6.12	Flexibility of the Case	18
6.12.1	Requirements	18
6.12.2	Procedure	18
6.13	Tape Reel	19
6.13.1	Locking Mechanism	19
6.13.2	Axis of rotation of the reel	19
6.13.3	Metallic insert	19
6.13.4	Toothed rim	19
6.13.5	Hub of the reel	20
6.13.6	Relative positions	20

6.13.7	Characteristics of the toothed rim	21
6.14	Leader Block	21
6.15	Attachment of the Tape to the Leader Block	22
6.16	Latching Mechanism	22
6.17	Tape Wind	23
6.18	Wind Tension	23
6.19	Circumference of the Tape Reel	23
6.20	Moment of Inertia	23
SECTION IV - RECORDING METHOD, DATA FORMAT, LAYOUT OF THE TAPE		
7.	METHOD OF RECORDING	31
7.1	Physical Recording Density	31
7.2	Bit Cell Length	31
7.3	Average Bit Cell Length	31
7.4	Long-Term Average Bit Cell Length	31
7.5	Short-Term Average Bit Cell Length	31
7.6	Rate of Change	31
7.7	Bit Shift	32
7.8	Total Character Skew	32
7.9	Read Signal Amplitude	32
7.10	Coincident Missing Pulses	32
8.	TRACK FORMAT	32
8.1	Number of Tracks	32
8.2	Reference Edge	32
8.3	Track Positions	32
8.4	Track Width	33
8.5	Azimuth	33
9.	DATA FORMAT	33
9.1	Types of Bytes	33
9.1.1	Data bytes	33
9.1.2	Pad bytes	34
9.1.3	Block-ID bytes	34
9.2	Frame	35
9.3	Data Block	36
9.3.1	Prefix	37
9.3.2	Data Frames	37
9.3.3	Residual Frame 1	38
9.3.4	Residual Frame 2	38
9.3.5	Suffix	40
9.4	Error Correcting Code (ECC)	40
9.4.1	Diagonal Redundancy Check (DRC)	40
9.4.2	Vertical Redundancy Check (VRC)	41
9.4.3	ECC Format	41
9.4.4	Summary of ECC	42
9.5	Recording of 8-bit Bytes on the Tape	43
9.6	Recorded Data Block	43
9.6.1	Preamble	43
9.6.2	Beginning of Data Mark	43

9.6.3	Resync Control Frame	43
9.6.4	End of Data Mark	43
9.6.5	Postamble	44
9.7	Data Density	46
10.	TAPE FORMAT	44
10.1	Density Identification Burst	45
10.2	ID Separator Burst	45
10.3	Interblock Gaps	45
10.4	Erase Gaps	46
10.4.1	Normal Erase Gaps	46
10.4.2	Elongated Erase Gaps	46
10.5	Tape Marks	46
10.6	Relation between Interblock Gaps, Erase Gaps and Tape Marks	47
10.6.1	Interblock Gap followed by a Tape Mark	47
10.6.2	Tape Mark followed by an Interblock Gap	47
10.6.3	Interblock Gap followed by an Erase Gap	47
10.6.4	Erase Gap followed by an Interblock Gap	47
10.6.5	Summary of the relation between Interblock Gap, Erase Gaps and Tape Marks	48
10.7	First and Last Recording on the Tape	48
10.8	Summary of the Tape Format	49
10.8.1	Characteristics of Recording other than Recorded Data Blocks	49
10.8.2	Arrangement of Recording on the Tape	49
SECTION V - APPENDICES		
APPENDIX A	: RECOMMENDATIONS FOR TRANSPORTATION	50
APPENDIX B	: INHIBITOR TAPE	52
APPENDIX C	: TAPE ABRASIVITY MEASUREMENT PROCEDURE	53
APPENDIX D	: RECOMMENDATIONS ON TAPE DURABILITY	55
APPENDIX E	: PRE-RECORDING CONDITION	57
APPENDIX F	: REPRESENTATION OF 8-BIT BYTES BY 9-BIT PATTERNS	58
APPENDIX G	: MEASUREMENT OF BIT SHIFT	61
APPENDIX H	: DIMENSIONS OF THE CARTRIDGE	63

SECTION I

SCOPE AND CONFORMANCE
REFERENCES
DEFINITIONS

1. SCOPE AND CONFORMANCE

1.1 Scope

This ECMA Standard specifies the physical and magnetic characteristics of a 12,7 mm wide, 18-track magnetic tape cartridge, to enable interchangeability of such cartridges. It also provides a format and recording method, thus allowing, together with Standard ECMA-13 for Magnetic Tape Labelling, full data interchange by means of such magnetic tape cartridges.

1.2 Conformance

A magnetic tape cartridge conforms to this International Standard if it satisfies all mandatory requirements specified herein. The tape requirements shall be satisfied throughout the extent of the tape.

2. REFERENCES

- ECMA-6 : 7-Bit Coded Character Set
- ECMA-13 : File Structure and Labelling of Magnetic Tapes for Information Interchange
- ECMA-35 : Code Extension Techniques
- ECMA-43 : 8-Bit Code Structure and Rules
- ISO 1302 : Method of indicating surface structure on technical drawings
- ISO 683/XIII: Wrought stainless steels

3. DEFINITIONS

For the purpose of this Standard, the following definitions apply.

3.1 Average Signal Amplitude

The average peak-to-peak value of the signal output of the read head measured over a minimum of 25,4 mm exclusive of missing pulses.

3.2 Back Surface

The surface of the tape opposite the magnetic coating used to record data.

3.3 Byte

An ordered set of eight bits acted upon as a unit and recorded as a 9-bit pattern.

3.4 Cartridge

A container holding a supply reel of magnetic tape with an attached leader block.

3.5 Cyclic Redundancy Check Character

A character represented by two bytes, placed at the end of a data block and used for error detection.

3.6 Data Density

The number of 8-bit bytes stored per unit length of tape, expressed in bytes per millimetre.

3.7 Error Correcting Code

A mathematical procedure yielding bits used for the detection and correction of errors.

3.8 Flux Transition Position

That point which exhibits maximum free-space flux density normal to the tape surface.

3.9 Flux Transition Spacing

The distance along a track between successive flux transitions.

3.10 Magnetic Tape

A tape which will accept and retain the magnetic signals intended for input, output and storage purposes on computers and associated equipment.

3.11 Master Standard Reference Tape

A tape selected as the standard for Reference Field, Signal Amplitude, Resolution and Overwrite.

NOTE 1

A Master Standard Reference Tape is being established at the National Bureau of Standards (NBS).

3.12 Physical Recording Density

The number of recorded flux transitions per unit length of track, expressed in flux transitions per millimetre, (ftpmm).

3.13 Postamble

A repeated 9-bit pattern at the end of a Recorded Data Block providing electronic synchronization when reading in the reverse direction.

3.14 Preamble

A repeated 9-bit pattern at the beginning of a Recorded Data Block providing electronic synchronization when reading in the forward direction.

3.15 Reference Field

The Typical Field of the Master Standard Reference Tape.

3.16 Secondary Standard Reference Tape

A tape the performance of which is known and stated in relation to that of the Master Standard Reference Tape.

NOTE 2

Secondary Standard Reference Tapes are being developed at the National Bureau of Standards (NBS) and will be available from the NBS Office of Standard Reference Materials, Room B311, Chemistry Building, National Bureau of Standards, Gaithersburg, MA 20899, USA.

It is intended that these be used for calibrating tertiary reference tapes for use in routine calibration.

3.17 Standard Reference Amplitude

The Average Signal Amplitude from the Master Standard Reference Tape when it is recorded with the Test Recording Current on the NBS measurement system at 972 ftpmm.

Traceability to the Standard Reference Amplitude is provided by the calibration factors supplied with each Secondary Standard Reference Tape.

3.18 Standard Reference Current

The current that produces the Reference Field.

3.19 Test Recording Current

The current that is 1,5 times the Standard Reference Current.

3.20 Track

A longitudinal area on the tape along which a series of magnetic signals may be recorded.

3.21 Typical Field

In the plot of the Average Signal Amplitude against the Recording Field at the physical recording density of 972 ftpmm, the minimum field that causes an Average Signal Amplitude equal to 85% of the maximum Average Signal Amplitude.

4. ENVIRONMENT AND SAFETY

Unless otherwise stated, the conditions specified below refer to the ambient conditions in the test or computer room and not to those within the tape equipment.

4.1 Cartridge/Tape Testing Environment

Unless otherwise stated, tests and measurements made on the tape cartridge to check requirements of this Standard shall be carried out under the following conditions:

Temperature : 23 °C ± 2 °C

Relative Humidity : 40% to 60%

Conditioning period
before testing : 24 hours.

4.2 Cartridge Operating Environment

Cartridges used for data interchange shall be capable of operating under the following conditions:

Temperature : 16 °C to 32 °C

Relative Humidity : 20% to 80%

Wet Bulb Temperature: 25 °C max.

The average temperature of the air immediately surrounding the tape shall not exceed 40,5 °C.

NOTE 3

Localized tape temperatures in excess of 49 °C may cause tape damage.

Conditioning before operating: If a cartridge has been exposed during storage and/or transportation to conditions outside the above values, it shall be conditioned for a period of at least 24 hours.

4.3 Cartridge Storage Environment

Cartridges used for data interchange shall be stored under the following conditions.

Temperature : 5 °C to 32 °C

Relative Humidity : 5% to 80%

Wet Bulb Temperature: 26 °C max.

4.4 Safety Requirements

4.4.1 Safeness

The cartridge and its components shall not constitute any safety or health hazard when used in its intended manner or in any foreseeable misuse in an information processing system.

4.4.2 Flammability

The cartridge and its components shall be made from materials which, if ignited from a match flame, and when so ignited do not continue to burn in a still carbon dioxide atmosphere.

4.5 Transportation

This Standard does not specify parameters for the environment in which cartridges should be transported. Appendix A gives some recommendations for transportation.

SECTION II

CHARACTERISTICS OF THE TAPE

5. CHARACTERISTICS OF THE TAPE

5.1 Material

The tape shall consist of a base material (oriented polyethylene terephthalate film or its equivalent) coated on one side with a strong yet flexible layer of ferromagnetic material dispersed in a suitable binder. The back surface of the tape may also be coated with a ferromagnetic or non-ferromagnetic material.

5.2 Tape Length

The length of the tape shall not be less than 165 m.

5.3 Tape Width

The width of the tape shall be $12,650 \text{ mm} \pm 0,025 \text{ mm}$. The width shall be measured across the tape from edge-to-edge when the tape is under a tension of less than 0,28 N.

5.4 Tape Discontinuity

There shall be no discontinuities in the tape such as those produced by tape splicing or perforations.

5.5 Total Thickness of Tape

The total thickness of the tape at any point shall be between 0,0259 mm and 0,0337 mm.

5.6 Base Material Thickness

The thickness of the base material shall be 0,0234 mm nominal.

5.7 Longitudinal Curvature

The radius of curvature of the edge of the tape shall not be less than 33 m.

Procedure

Allow a 1 m length of tape to unroll and assume its natural curvature on a flat smooth surface. Measure the deviation from a 1 m chord. The deviation shall not be greater than 3,8 mm. This deviation corresponds to the minimum radius of curvature of 33 m if measured over an arc of circle.

5.8 Out-of-Plane Distortions

All visual evidence of out-of-plane distortion shall be removed when the tape is subjected to a uniform tension of 0,6 N. Out-of-plane distortions are local deformations which cause portions of the tape to deviate from the plane of the surface of the tape. Out-of-plane distortions are most readily observed when the tape is lying on a flat surface under no tension.

5.9 Cupping

The departure across the width of tape from a flat surface shall not exceed 0,3 mm.

Procedure

Cut a 1,0 m ± 0,1 m length of tape. Condition it for a minimum of 3 hours in the test environment by hanging it so that the coated surface is freely exposed to the test environment. From the centre portion of the conditioned tape cut a sample of 25 mm length. Stand the sample on its end in a cylinder which is at least 25 mm high with an inside diameter of 13,0 mm ± 0,2 mm. With the cylinder standing on an optical comparator measure the cupping by aligning the edges of the sample to the reticle and determining the distance from the aligned edges to the corresponding surface of the sample at its centre.

5.10 Dynamic Frictional Characteristics

In the tests of 5.10.1 and 5.10.2 the specified forces of 1,0 N and 1,50 N, respectively, comprise both the force component of the dynamic friction and the force of 0,64 N applied to the sample of tape.

NOTE 4

Particular attention should be given to keeping the surfaces clean.

5.10.1 Frictional Drag Between the Recording Surface and the Tape Back Surface

The force required to move the recording surface in relation to the back surface shall not be less than 1,0 N.

Procedure

- i) Wrap a sample of tape around a 25,4 mm diameter circular mandrel with the back surface of the sample facing outward.
- ii) Place a second sample of tape, with the recording surface facing in, around the first sample for a total wrap angle of 90°.
- iii) Apply a force of 0,64 N to one end of the outer sample of tape. Secure its other end to a force gauge which is mounted on a motorized linear slide.
- iv) Drive the slide at a speed of 1 mm/s.

5.10.2 Frictional Drag Between the Tape Recording Surface and Ferrite after Environmental Cycling

The force required to move the tape at a point 1,34 m from the leader block of the cartridge shall not be greater than 1,50 N. The force required at a point 4,3 m from the junction of the tape with the cartridge hub shall not exceed the first force by more than a factor of 4.

Procedure

- i) Wind tape on to a spool hub of diameter 50 mm to an outside diameter of 97 mm with a winding tension of 2,2 N ± 0,2 N.

- ii) Repeat the following two steps five times:

- a) Store for 48 hours at a temperature of 50 °C and a relative humidity of 10% to 20%.
- b) Acclimatize in the testing environment for two hours and rewind with a tension of 2,2 N ± 0,2 N.

- iii) Acclimatize the tape for 48 hours at a temperature of 30,5 °C and a relative humidity of 85%. The tape shall remain in this environment for steps iv) and v).

- iv) Apply a force of 0,64 N to one end of a sample of not more than 1 m, taken 1,34 m from the leader block. Pass the sample over a ferrite rod of diameter 25,4 mm with the recording surface in contact with the rod for a total wrap angle of 90°.

The rod shall be made from the ferrite specified in Appendix C. It shall be polished to a roughness value R_a of 0,05 µm (roughness grade N2, ISO 1302). Pull the other end of the sample horizontally at 1 mm/s.

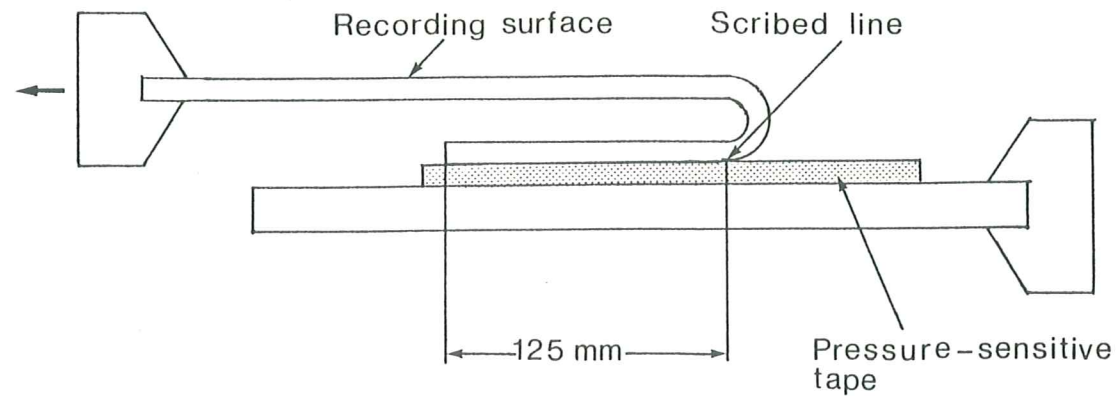
- v) Repeat step iv) for a similar sample taken 4,3 m from the junction of the tape with the cartridge hub.

5.11 Coating Adhesion

The force required to peel any part of the coating from the tape base material shall not be less than 1,5 N.

Procedure

- i) Take a sample of the tape approximately 380 mm long and scribe a line through the recording coating across the width of the tape 125 mm from one end.
- ii) Using a double-sided pressure sensitive tape, attach the full width of the sample to a smooth metal plate, with the recording surface facing the plate, as shown in the figure below.
- iii) Fold the sample over 180°, attach the metal plate and the free end of the sample to the jaws of a universal testing machine and set the speed of the jaw separation to 254 mm per min.
- iv) Note the force at which any part of the coating first separates from the base material. If this is less than 1,5 N, the test has failed. If the sample peels away from the double-sided pressure sensitive tape before the force exceeds 1,5 N, an alternative type of double-sided pressure sensitive tape shall be used.
- v) If the back surface of the tape is coated, repeat i) to iv) for the back coating.



5.12 Flexural Rigidity

The flexural rigidity of the tape in the longitudinal direction shall be between 0,06 N.mm² and 0,16 N.mm².

Procedure

Clamp a 180 mm sample of tape in a universal testing machine, allowing a 100 mm separation between the machine jaws. Set the jaw separation speed at 5 mm per minute. Plot force against distance. Calculate the flexural rigidity using the slope of the curve between 2,2 N and 6,7 N. The calculation is :

$$E = \frac{\delta F / WT}{\delta L / L}$$

$$I = WT^3 / 12$$

$$\text{Flexural rigidity} = EI = \frac{\delta FT^2}{12\delta L / L}$$

Where:

δF = change in force in N

T = measured thickness in mm

W = measured width in mm

$\delta L / L$ = change in sample length between the jaws divided by original length between the jaws.

5.13 Electrical Resistance of Coated Surfaces

The electrical resistance of any square area of the recording surface shall be within the range:

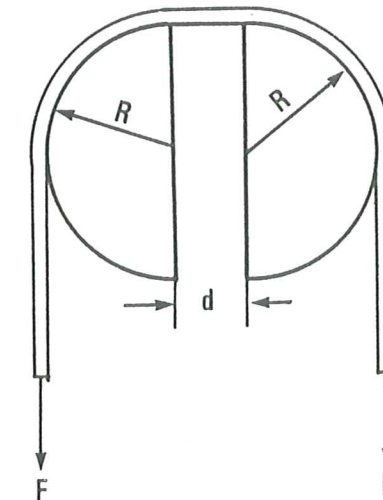
- 10⁵ Ohm to 5 x 10⁸ Ohm for non-backcoated tapes,
- 10⁵ Ohm to 5 x 10⁹ Ohm for backcoated tapes.

The electrical resistance of any backcoating shall be less than 10⁶ Ohm.

Procedure

Condition a sample of tape to the test environment for 24 hours. Position the sample over two 24-carat gold-plated, semi-circular electrodes having a radius R = 25,4 mm and a finish of at least N4, so that the recording surface is in contact with each electrode. These electrodes shall be placed parallel to the ground and parallel to each other at a distance d = 12,7 mm between their centres. Apply a force F of 1,62 N to each end of the sample. Apply a DC voltage of 500 V ± 10 V across the electrodes and measure the resulting current flow. From this value, determine the electrical resistance.

Repeat for a total of 5 positions along the sample and average the 5 resistance readings. For back-coated tape repeat the procedure with the backcoating in contact with the electrodes.



When mounting the sample, make sure that no conducting paths exist between the electrodes except that through the coating under test.

NOTE 5

Particular attention should be given to keeping the surfaces clean.

5.14 Tape Durability

This Standard does not specify parameters for assessing tape durability.

However, a recommended procedure is described in Appendix D.

5.15 Inhibitor Tape

This Standard does not specify parameters for assessing whether or not a tape is an inhibitor tape.

However, Appendix B gives further information on inhibitor

tapes.

5.16 Tape Abrasivity

Tape abrasivity is the tendency of the tape to wear the tape transport. The length of the wear pattern on a wear bar shall not exceed 56 um when measured as specified in Appendix C.

5.17 Pre-recording Condition

Prior to recording data or to testing, the tape shall have been erased utilizing alternating fields of decaying levels (anhysteretic process) to ensure that the remanent magnetic moment of the recording surface does not exceed 20% of the maximum remanent magnetic moment. Appendix E specifies the method of measurement.

In addition no low density transitions shall be present on the tape.

5.18 Magnetic Recording Characteristics

The magnetic recording characteristics shall be as follows.

When performing these tests, the output or resultant signal shall be measured on the same relative pass for both a tape calibrated to the Master Standard Reference Tape and the tape under test (read-while-write or first forward-read-pass) on the same equipment.

The following conditions shall apply to the testing of all magnetic recording characteristics, unless otherwise noted.

- Tape condition : pre-recording condition
- Tape speed : not greater than 2,5 m/s
- Read-track : within the written track
- Azimuth alignment : not greater than 6' between the mean write transitions and the read gap
- Write-gap length : 1,4 um ± 0,2 um
- Write head saturation density : 0,34 T ± 0,03 T
- Tape tension : 2,2 N ± 0,2 N
- Recording current : Test Recording Current

5.18.1 Typical Field

The Typical Field of the tape shall be between 90% and 110% of the Reference Field.

Traceability to the Reference Field is provided by the calibration factors supplied with each Secondary Standard Reference Tape.

5.18.2 Signal Amplitude

The average signal amplitude at the physical recording density of 972 ftpmm shall be between 70% and 140% of the Standard Reference Amplitude.

Traceability to the Standard Reference Amplitude is provided by the calibration factors supplied with each Secondary Standard Reference Tape.

5.18.3 Resolution

The ratio of the Average Signal Amplitude at the physical recording density of 1458 ftpmm to that at the physical recording density of 972 ftpmm shall be between 80% and 120% of the same ratio for the Master Standard Reference Tape.

Traceability to the resolution of the Master Standard Reference Tape is provided by the calibration factors supplied with each Secondary Standard Reference Tape.

5.18.4 Overwrite

Overwrite is the ratio of the Average Signal Amplitude of the residual of the fundamental frequency of a tone pattern after being overwritten at 972 ftpmm to the Average Signal Amplitude of the 972 ftpmm signal. The Average Signal Amplitude of the tone pattern is the peak-to-peak amplitude of the sinusoidal signal with equal rms power.

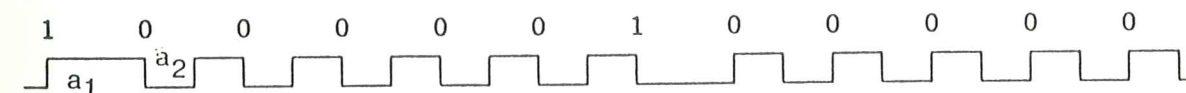
5.18.4.1 Requirement

The overwrite for the tape shall be less than 120% of the overwrite for the Master Standard Reference Tape.

Traceability to the overwrite of the Master Standard Reference Tape is provided by the calibration factors supplied with each Secondary Standard Reference Tape.

5.18.4.2 Procedure

A tone pattern shall be recorded which shall be the following sequence of flux transitions.



where: a1 = 1,029 um
a2 = 0,514 um

A 972 ftpmm signal is then recorded over the tone pattern. Measure the Average Signal Amplitude of the residual of the fundamental frequency of the tone pattern (one sixth of the frequency of the 972 ftpmm signal) and the Average Signal Amplitude of the 972 ftpmm signal. Both amplitude measurements should be made using suitable filters.

5.18.5 Narrow-Band Signal-to-Noise Ratio (NB-SNR)

The narrow-band signal-to-noise ratio is the average signal amplitude rms power divided by the average integrated (side band) rms noise power, and is expressed in dB.

5.18.5.1 Requirement

The NB-SNR shall be equal to, or greater than, 30 dB when normalized to a track width of 410 um. The normalization factor is $dB(410) = dB(W) + 10 \log 410/W$, where W is the track width used when measuring dB(W).

5.18.5.2 Procedure

The NB-SNR shall be measured using a spectrum analyzer with a resolution bandwidth (RBW) of 1 kHz and a video bandwidth (VBW) of 10 Hz. The tape speed shall be 762 mm/s for the frequencies specified below.

The NB-SNR shall be measured as follows:

- i) Measure the read-signal amplitude of the 972 ftpmm signal, taking a minimum of 150 samples over a length of tape of 46 m minimum.
- ii) On the next pass (read only) measure the rms noise power over the same section of tape and integrate the rms noise power (normalizing for the actual resolution bandwidth) over the range from 332 kHz to 366 kHz.

For other tape speeds all the frequencies shall be linearly scaled.

5.19 Tape Quality

The tape quality (including the effects of exposure to storage and transportation environments) is defined by the testing requirements given in the following clauses. The following conditions shall apply to all quality testing requirements.

- Environment : operating environment
- Tape condition : pre-recording condition
- Tape speed : 2 m/s
- Read-track width : 410 um
- Physical recording density : 972 ftpmm
- Write-gap length : 1,4 um ± 0,2 um
- Azimuth alignment : not greater than 6' between the mean write transitions and the read gap
- Write head saturation density : 0,34 T ± 0,03 T
- Recording current : Test Recording Current
- Format : 18 tracks
- Tape tension : 2,2 N ± 0,2 N

5.19.1 Missing Pulses

A missing pulse is a loss of read signal amplitude. A missing pulse exists when the base-to-peak read signal amplitude is 25%, or less, of half the Average Signal Amplitude for the preceding 25,4 mm of tape.

5.19.2 Missing Pulse Zones

A missing pulse zone begins with a missing pulse and ends when 64 consecutive flux transitions are detected or a length of 1 mm of tape has been measured.

The missing pulse zone rate shall be less than one in 8×10^6 flux transitions recorded.

5.19.3 Coincident Missing Pulse Zones

There are two 9-track groups in the 18-track format. One group comprises the odd-numbered tracks, the other group comprises the even-numbered tracks. A simultaneous missing pulse zone condition on two or more tracks of a 9-track group is a coincident missing pulse zone.

If a coincident missing pulse zone occurs at the same time in both groups of tracks, it shall be considered as a single coincident missing pulse zone. Its length shall begin with the start of the earliest coincident missing pulse zone and terminate with the end of the latest coincident missing pulse zone.

No 165 m length of tape shall have more than 12 coincident missing pulse zones.

No coincident missing pulse zone shall exceed 50 mm.

SECTION III

CARTRIDGE

6. DIMENSIONAL AND MECHANICAL CHARACTERISTICS OF THE CARTRIDGE

The cartridge shall consist of the following elements:

- a case,
- a reel for the magnetic tape,
- a magnetic tape wound on the hub of the reel,
- a locking mechanism for the reel,
- a write-inhibit mechanism,
- a leader block,
- a latching mechanism for the leader block.

Dimensional characteristics are specified for those parameters deemed mandatory for interchange and compatible use of the cartridge. Where there is freedom of design, only the functional characteristics of the elements described are indicated. In the enclosed drawings a typical implementation is represented in third angle projection.

Where they are purely descriptive the dimensions are referred to three Reference Surfaces A, B and C forming a geometrical trihedral (see Fig. 1). Where the dimensions are related to the position of the cartridge in the drive, they may be referred to another surface of the cartridge. Fig. 2 to 9 show the dimensions of the empty case.

- Fig. 1 is a general view of the whole cartridge.
- Fig. 2 shows the front side of the case which lies on Reference Surface A,
- Fig. 3 shows the top side of the case,
- Fig. 4 shows the rear side of the case,
- Fig. 5 shows the bottom side of the case which lies in Reference Surface C,
- Fig. 6 shows the side of the case which lies in Reference Surface B,
- Fig. 7 shows an enlarged view of a part of Fig. 2,
- Fig. 8 shows an enlarged cross-section of a location notch,
- Fig. 9 shows an enlarged cross-section of a detail of the opening of the case,
- Fig. 10 shows an enlarged partial cross-section of the cartridge in hand,
- Fig. 11 shows the same cross-section as Fig. 9 but of the cartridge in the drive,
- Fig. 12 shows schematically the teeth of the toothed rim,
- Fig. 13 shows two views and an enlarged cross-section of the leader block,
- Fig. 14 shows the fixation of the tape to the leader block, and
- Fig. 15 shows the leader block inserted in the case.

6.1 Overall Dimensions (Fig. 2-4)

The overall dimensions of the case shall be

L₁ = 125,00 mm ± 0,32 mm

L₂ = 109,00 mm ± 0,32 mm

L₃ = 24,50 mm { + 0,50 mm
- 0,32 mm

The corners of the case shall be rounded off as specified by

R₁ = 3,00 max.

R₂ = 4,00 max.

R₃ = 3,00 min.

6.2 Write-inhibit Mechanism (Fig. 2, 3)

The write-inhibit mechanism shall have a flat surface identified by a visual mark, e.g. a white spot, when in the position in which writing is inhibited. This Standard does not prescribe the actual implementation of the write-inhibit mechanism. For example, it can be a rotatable or a slidable element.

The front side of the case shall have a window specified by

L₄ = 11,80 mm ± 0,25 mm

L₅ = 15,60 mm ± 0,25 mm

L₆ = 7,40 mm ± 0,25 mm

L₇ = 12,00 mm ± 0,25 mm

In the write-inhibit position the flat surface of the write-inhibit mechanism shall be behind this window at a distance

L₈ = 2,55 mm min.

from the front side of the case.

In the write-enable position this surface shall be within 0,25 mm of the front side of the case.

The force required for the operation of the write-inhibit mechanism shall be in the range

2 N to 9 N

when applied tangentially to the surface of the case.

6.3 Label Area of the Rear Side (Fig. 3-4)

On the rear side of the case there shall be a label area specified by

L₉ = 7,00 mm ± 0,25 mm

L₁₀ = 80,00 mm { + 0,30 mm
- 0,16 mm

L₁₁ = 12,30 mm ± 0,25 mm

L₁₂ = 0,50 mm ± 0,25 mm

R₄ = 1,00 mm max.

6.4 Label Area of the Top Side (Fig. 3)

On the top side of the case there shall be a label area, recessed by 0,50 mm ± 0,25 mm, specified by L₉, L₁₀, L₁₂ and in addition by

L₁₃ = 31,00 mm ± 0,25 mm

L₁₄ = 75,00 mm { + 0,30 mm
- 0,16 mm

6.5 Case Opening (Fig. 2, 3, 5 and 7)

The case shall have an opening for the tape in which the leader block can be inserted (see also Fig. 15). This opening shall be specified by

L₁₅ = 4,70 mm ± 0,25 mm

L₁₆ = 14,90 mm ± 0,32 mm

L₁₇ = 7,50 mm ± 0,25 mm

L₁₈ = 87,10 mm ± 0,25 mm

L₁₉ = 4,00 mm ± 0,25 mm

R₅ = 4,00 mm ± 0,25 mm

α = 50° ± 1°

Moreover, Fig. 7 shows at a larger scale the details of the configuration of the case opening as seen at the right-hand side of Fig. 2.

L₆₁ = 3,9 mm ± 0,5 mm

L₆₂ = 16,9 mm { + 0,5 mm
- 0,4 mm

L₆₃ = 3,0 mm ± 0,5 mm

L₆₄ = 11,6 mm ± 0,5 mm

ω₁ = 1° ± 30'

ω₂ = 20° ± 2°

6.6 Locating Notches (Fig. 5, 6 and 8)

There shall be two locating notches open toward the bottom side. These location notches shall be specified by

L₂₀ = 106,00 mm ± 0,25 mm

L₂₁ = 5,00 mm ± 0,25 mm

L₂₂ = 7,00 mm ± 0,25 mm

L₂₃ = 104,00 mm ± 0,25 mm

L₂₄ = 2,50 mm ± 0,25 mm

$$\beta = 1^{\circ}30' \pm 30'$$

$$\gamma = 2^{\circ} \pm 30'$$

6.7 Locating Areas (Fig. 5)

The bottom side of the case shall have three circular locating areas a_1 , a_2 and a_3 which shall lie in the same horizontal plane within 0,25 mm.

Areas a_1 and a_2 shall have a diameter of 10,00 mm \pm 0,25 mm. The position of their centre shall be specified by

$$L_{25} = 108,50 \text{ mm} \pm 0,25 \text{ mm}$$

$$L_{26} = 3,50 \text{ mm} \pm 0,25 \text{ mm}$$

$$L_{27} = 105,50 \text{ mm} \pm 0,25 \text{ mm}$$

Area a_3 shall have a diameter of 14,00 mm \pm 0,25 mm. The position of its centre shall be specified by

$$L_{28} = 31,25 \text{ mm} \pm 0,25 \text{ mm}$$

$$L_{29} = 54,50 \text{ mm} \pm 0,25 \text{ mm}$$

6.8 Inside Configuration of the Case around the Case Opening (Fig. 5 and 9)

Fig. 5 and 9 show the inside configuration of the case around the opening of the case. This configuration shall be defined as follows (see also 6.10)

$$L_{30} = 3,30 \text{ mm} \pm 0,25 \text{ mm}$$

$$L_{31} = 18,40 \text{ mm} \pm 0,25 \text{ mm}$$

$$R_6 = 1,50 \text{ mm} \pm 0,25 \text{ mm}$$

$$R_7 = 1,50 \text{ mm} \pm 0,25 \text{ mm}$$

The oblique edge of the case shall be tangential to the arc of circle defined by R_6 at an angle

$$\lambda = 40^{\circ} \pm 30'$$

6.9 Other External Dimensions of the Case (Fig. 6)

The external form of the case shall be further specified by

$$L_{32} = 113,2 \text{ mm} \pm 0,3 \text{ mm}$$

$$L_{33} = 26,00 \text{ mm} \pm 0,25 \text{ mm}$$

$$R_8 = 145,50 \text{ mm} \pm 0,25 \text{ mm}$$

$$R_9 = 145,50 \text{ mm} \pm 0,25 \text{ mm}$$

$$\delta = 30^{\circ} \pm 30'$$

6.10 Central Window (Fig. 5)

The bottom side of the case shall have a central window. The location of its centre shall be specified by L_{29} and

$$L_{34} = 61,00 \text{ mm} \pm 0,25 \text{ mm}$$

Its diameter shall be

$$d_1 = 43,5 \text{ mm} \begin{cases} + 2,0 \text{ mm} \\ - 1,0 \text{ mm} \end{cases}$$

The angle with its apex at the centre of this window and formed by the two lines tangential to the parts shown in Fig. 5 in cross-section shall be

$$\theta = 16^{\circ} \pm 30'$$

6.11 Stacking Ribs

The bottom side of the case shall have two parallel stacking ribs. Their dimensions shall be

$$L_{35} = 5,00 \text{ mm} \pm 0,25 \text{ mm}$$

$$L_{36} = 1,00 \text{ mm} \pm 0,16 \text{ mm}$$

$$L_{37} = 74,50 \text{ mm} \pm 0,25 \text{ mm}$$

Their locations shall be

$$L_{38} = 31,00 \text{ mm} \pm 0,25 \text{ mm}$$

$$L_{39} = 7,50 \text{ mm} \pm 0,32 \text{ mm}$$

$$L_{40} = 79,50 \text{ mm} \pm 0,25 \text{ mm}$$

6.12 Flexibility of the Case

The flexibility of the top and bottom sides of the case (see Fig. 1) is the amount of deflection observed when they are submitted to a perpendicular force F.

6.12.1 Requirements

The amount of deflection d shall meet the following requirements:

Deflection of the top side:

$$0,0256 F \leq d \leq 0,38 + 0,054 F$$

Deflection of the bottom side:

$$0,0228 F \leq d \leq 0,38 + 0,040 F$$

where:

d is the measured deflection in mm

$$4,5 \text{ N} \leq F \leq 54,0 \text{ N}$$

6.12.2 Procedure

The flexibility of the case shall be measured in a universal testing machine operating in the compression mode. A suitable load cell shall be used for the test. A single point load with a radius of 10 mm \pm 1 mm shall be applied on the bottom and subsequently on the top of the cartridge at the points shown in Fig. 3 and Fig. 5, and specified by

$$L_{65} = 86,9 \text{ mm nominal}$$

$$L_{66} = 54,5 \text{ mm nominal}$$

6.13 Tape Reel (Fig. 10 and 11)

Fig. 10 and 11 show the tape reel mounted within the case. Fig. 10 specifies the different dimensions of the reel when the cartridge is in hand, Fig. 11 when it is within the drive. For the sake of clarity of the drawing the stacking ribs are not shown in Fig. 10 and 11.

6.13.1 Locking mechanism (Fig. 11)

This Standard does not specify the actual implementation of the locking mechanism. However, functionally it shall satisfy the following requirements in the locked position:

- the angular resolution shall not be greater than 6°,
- the reel shall not rotate by more than 10° when a torque not greater than 0,32 N.m is applied in the direction that will cause the tape to unwind.

The button of the locking mechanism shall be made of nylon 6/6 with 2% ± 1% molybdenum disulphide.

Its dimensions shall be

$$d_9 = 2,0 \text{ mm} \pm 0,5 \text{ mm}$$

$$d_{10} = 10,0 \text{ mm} \pm 0,2 \text{ mm}$$

$$\rho = 15^\circ \pm 2^\circ$$

6.13.2 Axis of rotation of the reel

The axis of rotation of the reel shall be perpendicular to Plane P (see 6.13.7) and pass through the centre of the central window as specified by L₂₉ and L₃₄.

6.13.3 Metallic insert

The reel shall have a metallic insert made of stainless steel (ISO 683/XIII, type 3 or 7). It shall withstand a pull out force of 300 N min. Its dimensions shall be

$$d_2 = 35,00 \text{ mm} \begin{cases} + 0,20 \text{ mm} \\ - 1,20 \text{ mm} \end{cases}$$

$$d_3 = 11,15 \text{ mm} \pm 0,05 \text{ mm}$$

$$e_1 = 1,51 \text{ mm} \pm 0,10 \text{ mm}$$

Its central opening (diameter d₃) shall be concentric with the axis of rotation of the reel within 0,15 mm.

The metallic insert shall be parallel to plane P within 0,15 mm.

6.13.4 Toothed rim

Furthermore, the reel shall have a toothed rim accessible through the central window, and having the dimensions

$$d_4 = 36,00 \text{ mm} \begin{cases} + 0,50 \text{ mm} \\ - 0,00 \text{ mm} \end{cases}$$

$$d_5 = 41,00 \text{ mm} \pm 0,25 \text{ mm}$$

$$\psi = 11^\circ 3' \pm 5'$$

6.13.5 Hub of the reel

The hub of the reel shall have a diameter

$$d_6 = 50,0 \text{ mm} \begin{cases} + 0,0 \text{ mm} \\ - 0,2 \text{ mm} \end{cases}$$

Further dimensions of the hub shall be

$$L_{41} = 13,05 \text{ mm} \begin{cases} + 0,20 \text{ mm} \\ - 0,10 \text{ mm} \end{cases}$$

when measured at the hub surface, and

$$R_{10} = 0,08 \text{ mm max.}$$

The hub shall meet the following requirements:

- the straightness of the hub surface shall be within 0,04 mm,
- the perpendicularity to the plane P through the pitch line of the teeth of the rim (see 6.13.7) shall be within 0,07 mm,
- the ratio of the difference in the diameters d₆ of any two sections (perpendicular to the axis) to the distance between these sections shall not exceed 0,0038,
- the rate of change across the width of the hub surface shall not exceed 0,025 mm per mm,
- the total runout of the hub related to the cylinder perpendicular to the circular pitch line (see 6.13.7) of the teeth of the toothed rim shall not exceed 0,2 mm total indicator reading (TIR).

6.13.6 Relative positions

6.13.6.1 With the cartridge in hand (Fig. 10):

- the distance of the tip of the button of the locking mechanism to Reference Surface C shall be

$$L_{42} = 1,90 \text{ mm} \begin{cases} + 1,40 \text{ mm} \\ - 0,90 \text{ mm} \end{cases}$$

- the distance from the bottom surface of the metallic insert to Reference Surface C shall be

$$L_{43} = 0,4 \text{ mm} \begin{cases} + 1,0 \text{ mm} \\ - 0,5 \text{ mm} \end{cases}$$

6.13.6.2 Whether the cartridge is in hand or in the drive (Fig. 10 and 11):

- the distance from the bottom surface of the metallic

insert to plane P shall be

$$L_{44} = 2,27 \text{ mm} + 0,12 \text{ mm}$$

- the distance of the inside of the lower flange of the reel to plane P shall be

$$L_{45} = 0,65 \text{ mm} \pm 0,09 \text{ mm}$$

6.13.6.3 With the cartridge in the drive (Fig. 11):

- the distance from the tip of the button of the locking mechanism to Reference Surface C shall be

$$L_{46} = 8,1 \text{ mm} \pm 0,2 \text{ mm}$$

- the force required to move the button into this position shall not exceed 12,25 N,

- the distance from the centreline of the tape to Reference Surface C shall be

$$L_{47} = 12,25 \text{ mm nominal}$$

- the distance from the Reference Surface C to Plane P (see 6.14.7) shall be:

$$L_{60} = 5,04 \text{ mm} \pm 0,20 \text{ mm}$$

6.13.7 Characteristics of the toothed rim (Fig. 12)

The toothed rim shall comprise 60 teeth spaced at an angle of

$$6^{\circ}0' \pm 5' \text{ non-cumulative}$$

The teeth are specified at the pitch diameter d_5 by

$$L_{48} = 4 \text{ mm nominal}$$

$$L_{49} = 2 \text{ mm nominal}$$

$$\varphi = 30^{\circ} \text{ nominal}$$

The pitch line is the circumference of the teeth taken at the distance L_{49} . The plane in which it lies is the plane P mentioned above.

The blend radius at the bottom of the teeth shall be

$$R_{11} = 0,25 \text{ mm max.}$$

The blend radius at the tip of the teeth shall be

$$0,10 \text{ mm} \leq R_{12} \leq 0,30 \text{ mm}$$

6.14 Leader Block (Fig. 13)

The leader block shall have the following dimensions.

$$L_{50} = 31,80 \text{ mm} \pm 0,04 \text{ mm}$$

$$L_{51} = 6,8 \text{ mm} \pm 0,1 \text{ mm}$$

$$L_{52} = 21,8 \text{ mm} \pm 0,2 \text{ mm}$$

$$L_{53} = 10,93 \text{ mm} \left\{ \begin{array}{l} + 0,06 \text{ mm} \\ - 0,08 \text{ mm} \end{array} \right.$$

$$L_{54} = 5,46 \text{ mm} \pm 0,10 \text{ mm}$$

$$L_{55} = 6,00 \text{ mm} \pm 0,25 \text{ mm}$$

$$L_{56} = 16,5 \text{ mm} \left\{ \begin{array}{l} + 0,0 \text{ mm} \\ - 0,2 \text{ mm} \end{array} \right.$$

$$L_{57} = 5,2 \text{ mm} \pm 0,2 \text{ mm}$$

$$R_{13} = 25,00 \text{ mm} \pm 0,25 \text{ mm}$$

$$R_{14} = 1,4 \text{ mm} \pm 0,2 \text{ mm}$$

$$R_{15} = 5,50 \text{ mm} \pm 0,25 \text{ mm}$$

$$d_7 = 7,0 \text{ mm} \pm 0,2 \text{ mm}$$

$$d_8 = 4,0 \text{ mm} \pm 0,2 \text{ mm}$$

$$\mu_1 = 90^{\circ} \pm 2^{\circ}$$

$$\mu_2 = 8^{\circ} \left\{ \begin{array}{l} + 0^{\circ} \\ - 3^{\circ} \end{array} \right.$$

$$\mu_3 = 44^{\circ} \left\{ \begin{array}{l} + 0^{\circ} \\ - 3^{\circ} \end{array} \right.$$

6.15 Attachment of the Tape to the Leader Block (Fig. 14)

There shall be a cylindrical insert for attaching the tape to the leader block. It shall cover the full width of the tape and not protrude beyond the surfaces of the leader block.

In zone Z the bottom edge of the tape (as seen in Fig. 14) shall be parallel to the edge of the leader block within 0,12 mm and shall be at a distance

$$L_{58} = 1,90 \text{ mm} \pm 0,26 \text{ mm}$$

from it, when measured while the tape is under tension.

When fixed to the leader block the end of the tape shall not protrude above the surface of the leader block by more than

$$L_{59} = 2,5 \text{ mm}$$

The leader block shall remain attached to the tape when a force of 10 N is applied at an angle

$$\mu_4 = 38^{\circ} \pm 2^{\circ}$$

as shown in Fig. 14.

6.16 Latching Mechanism (Fig. 15)

This Standard does not specify the actual implementation of the latching mechanism for the leader block. It specifies the position of the leader block and the forces required to pull out and to insert it.

When the leader block is latched into the case, the point defined by L_{51} and L_{54} (see Fig. 13) shall fall within a circle

of radius 0,5 mm max. the centre of which is defined by the intersection of the two lines specified by the nominal values of L_{17} and L_{18} (see Fig. 3).

The pull-out force, i.e. the force required to pull the leader block and the tape attached to it out of the cartridge shall satisfy both following conditions:

- to be in the range 2,0 N to 7,5 N, and
- the product of the maximum value of the pull-out force and the displacement distance shall be less than 13 N.mm.

The insertion force shall be measured at the same angle and jaw separation speed as the pull-out force.

Procedure

Clamp the cartridge in a universal testing machine that can extract the leader block at the angle μ_5 starting at the pickup point (see Fig. 15). The leader block pickup point is located by the intersection of the centre lines positioned by dimensions L_{17} , L_{18} . Set the jaw separation speed to 10 mm/min, pull the leader block allowing it to pivot on the pulling pin as it exits the cartridge. Measure the distance between the point where the force first exceeds 0,5 N and the point where the maximum pull-out force is observed. The force shall be measured with a pin that fits into diameters d_7 and d_8 (see Fig. 13).

The insertion force, i.e. the force required to push the leader block into latched position in the cartridge shall not be greater than 12 N when measured at an angle

$$\mu_5 = 48^\circ \pm 3^\circ.$$

6.17 Tape Wind

When the cartridge is viewed from the top, the tape shall be wound counter-clockwise and with the recording surface toward the hub.

6.18 Wind Tension

The tape shall be wound with a tension of:

$$2,2 \text{ N} \pm 0,3 \text{ N}$$

6.19 Circumference of the Tape Reel

The tape shall be wound to a circumference of between 280 mm and 307 mm.

6.20 Moment of Inertia

The moment of inertia of the tape reel is the ratio of the torque applied to it (complete with tape, hub and flanges) when it is free to rotate about a given axis to the angular acceleration thus produced about that axis.

The moment of inertia of the reel and tape shall be:

- Between $145 \times 10^{-6} \text{ kg.m}^2$ and $180 \times 10^{-6} \text{ kg.m}^2$ when the circumference is not less than 280 mm and less than 289 mm.

- Between $160 \times 10^{-6} \text{ kg.m}^2$ and $195 \times 10^{-6} \text{ kg.m}^2$ when the circumference is not less than 289 mm and less than 298 mm.
- Between $180 \times 10^{-6} \text{ kg.m}^2$ and $216 \times 10^{-6} \text{ kg.m}^2$ when the circumference is not less than 298 mm and not greater than 307 mm.
- The empty reel moment of inertia shall be:
 $33,00 \times 10^{-6} \text{ kg.m}^2 \pm 3,63 \times 10^{-6} \text{ kg.m}^2.$

Procedure

Torsionally oscillate the reel on an inertial dynamics unit. The oscillation period shall be measured electronically with a universal counter. The oscillation time shall then be converted to its rotational inertial value.

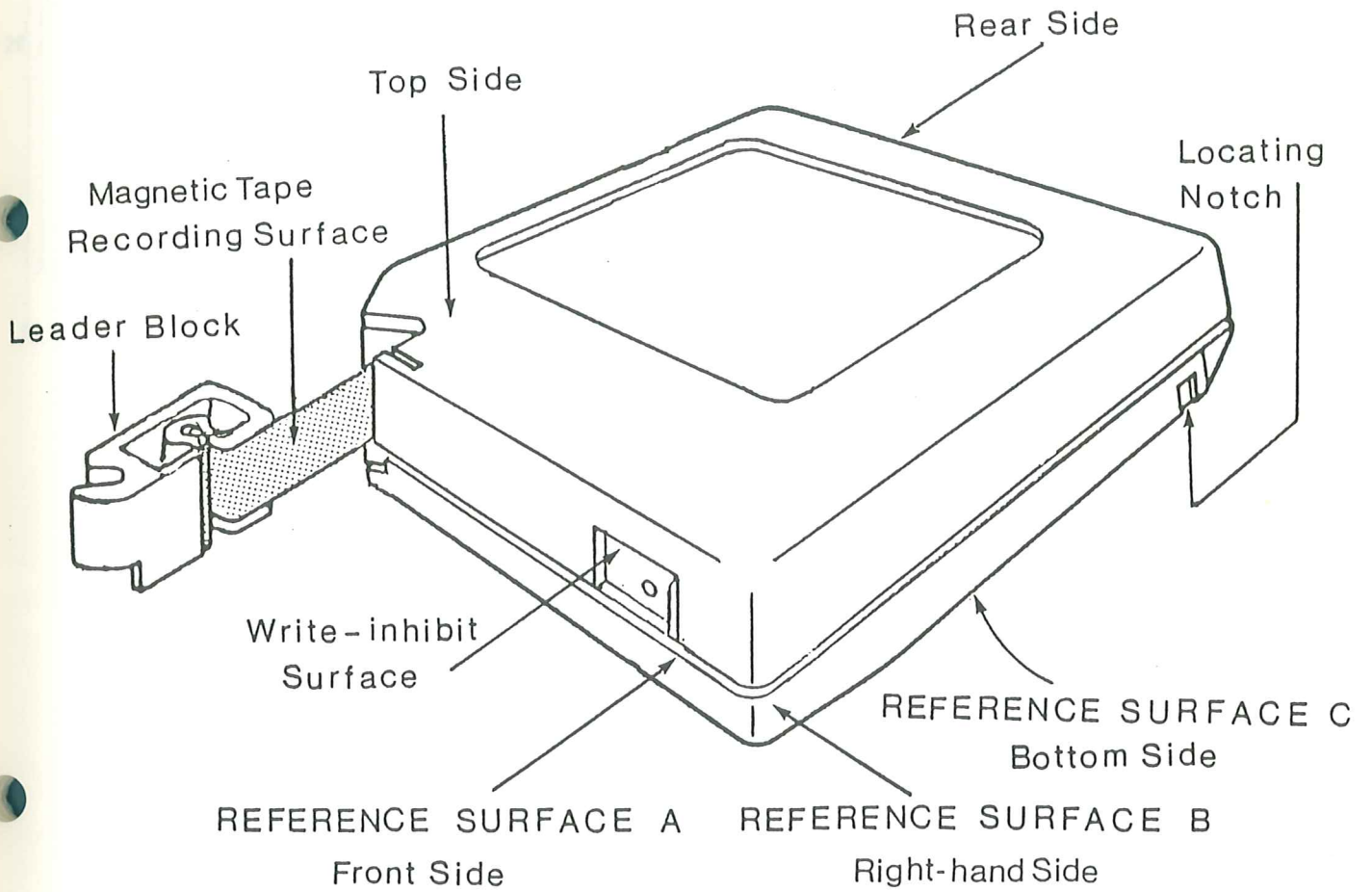
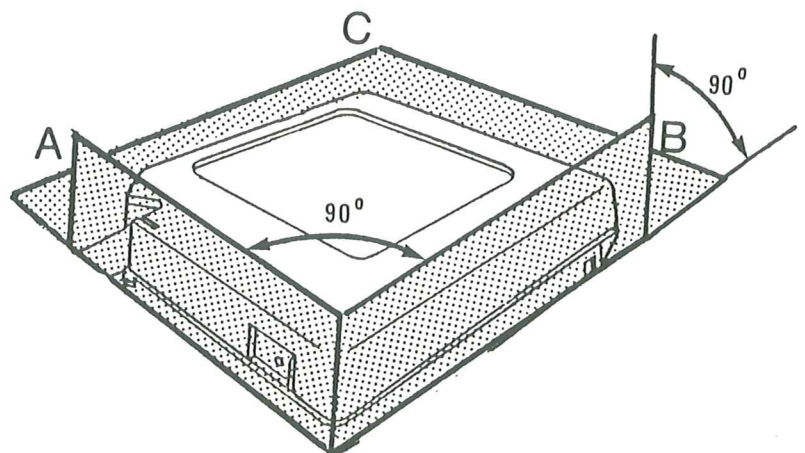


Fig. 1



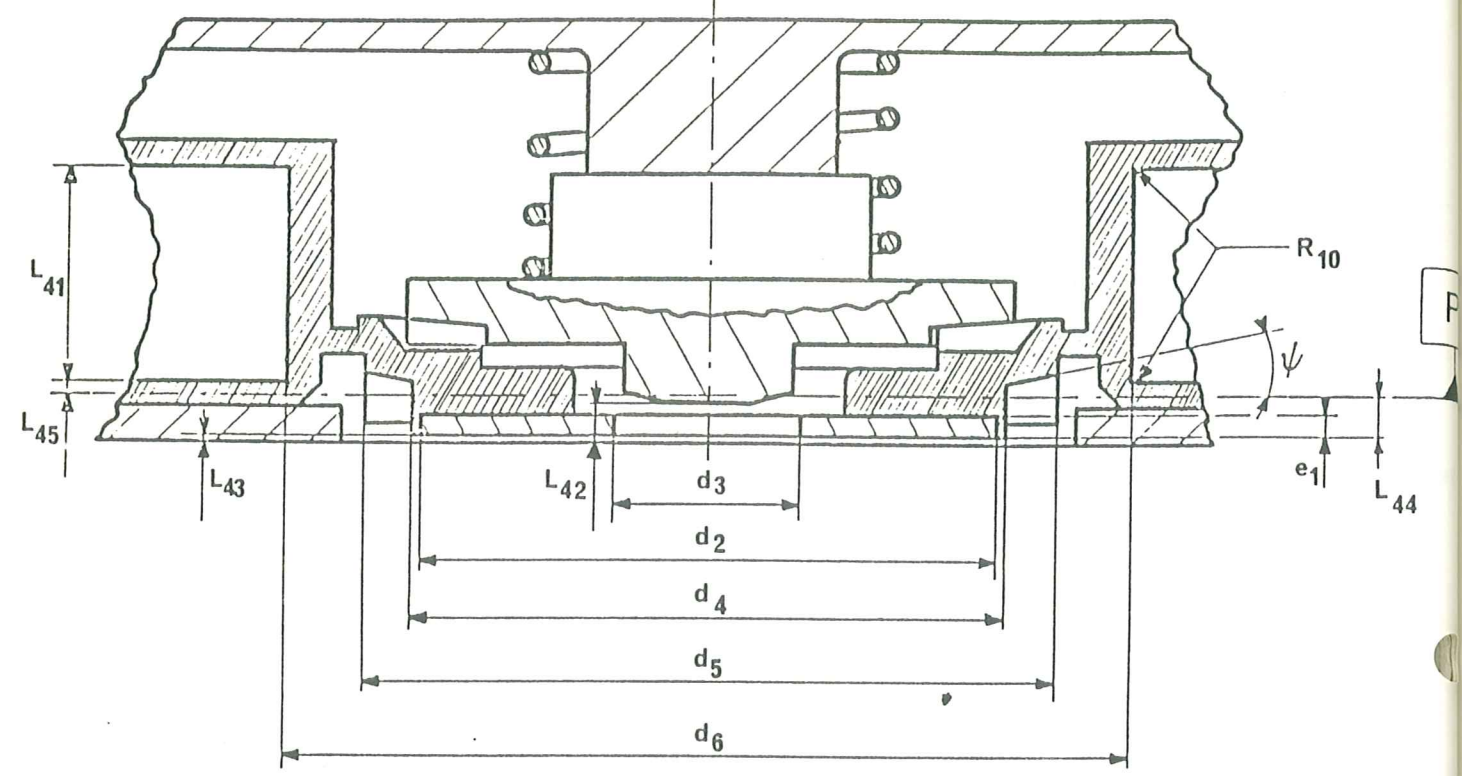


Fig. 10

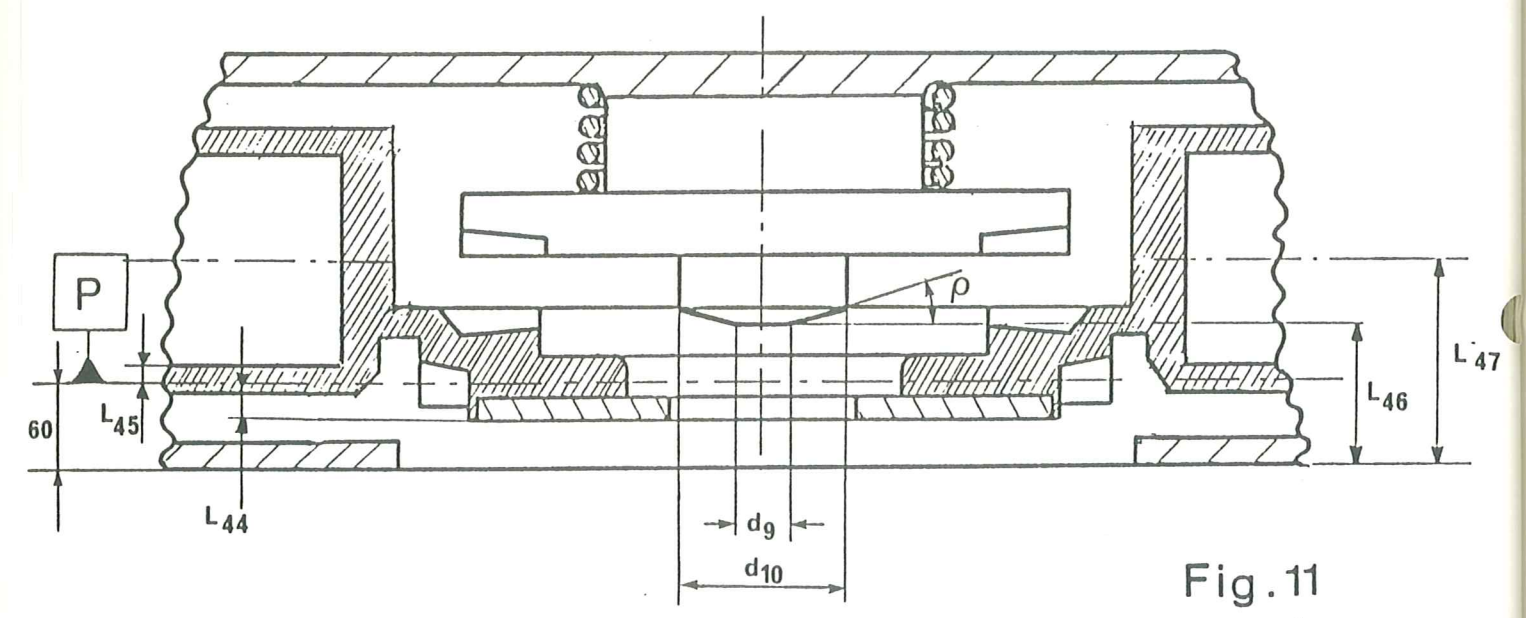


Fig. 11

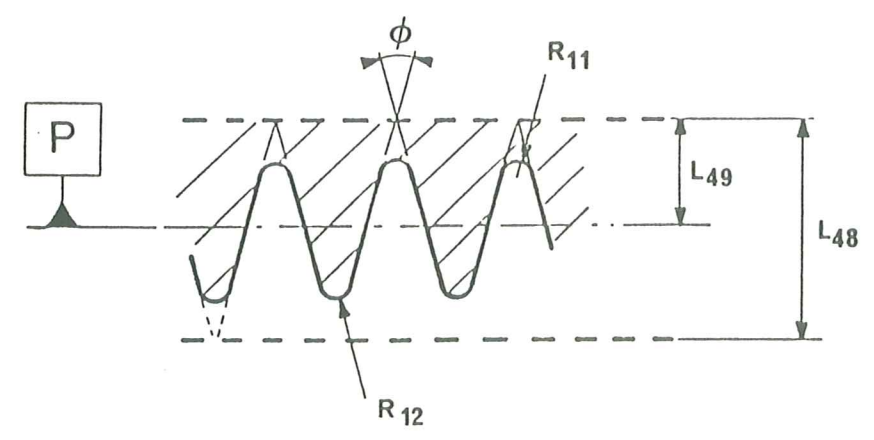


Fig. 12

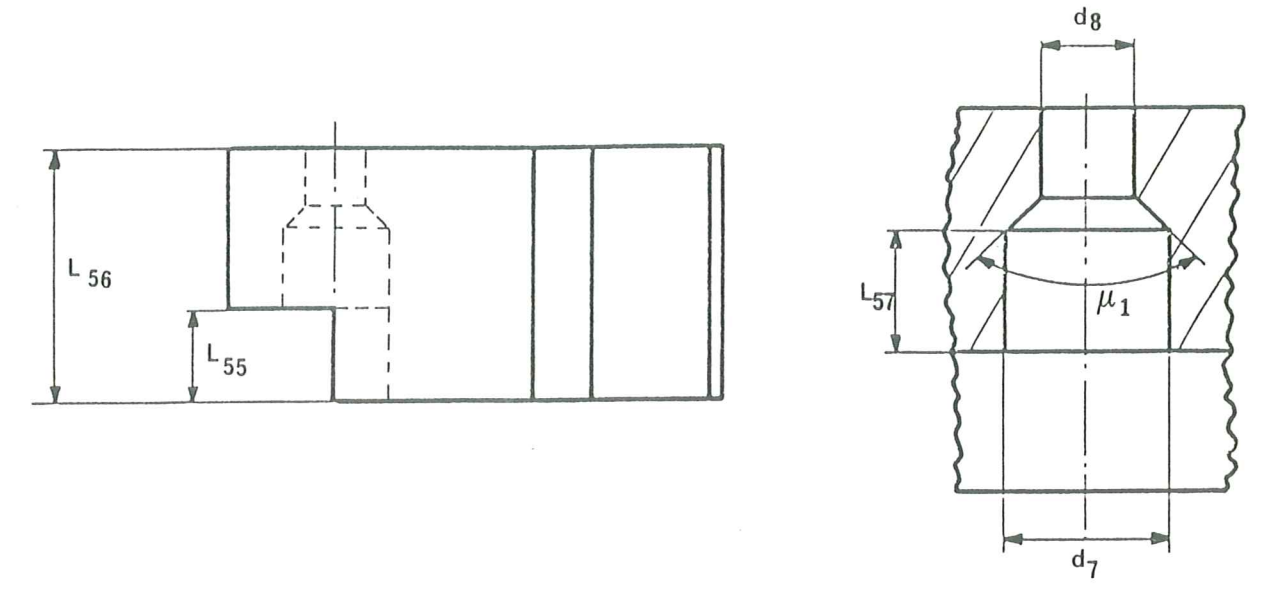
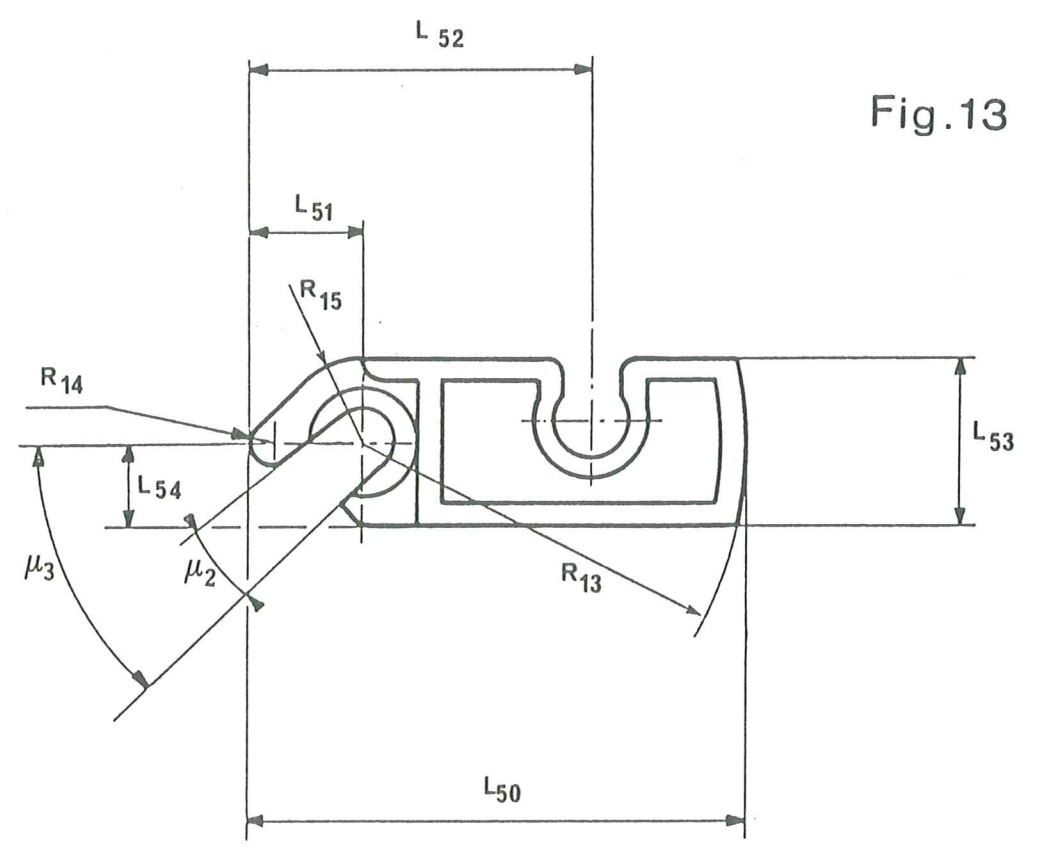


Fig. 13



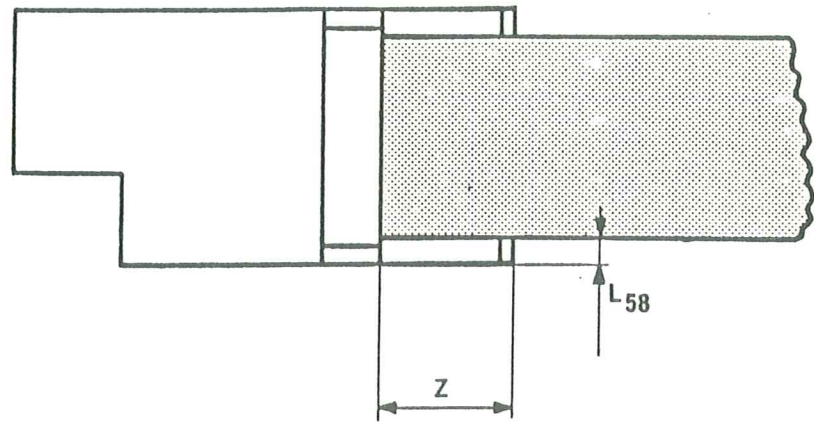


Fig. 14

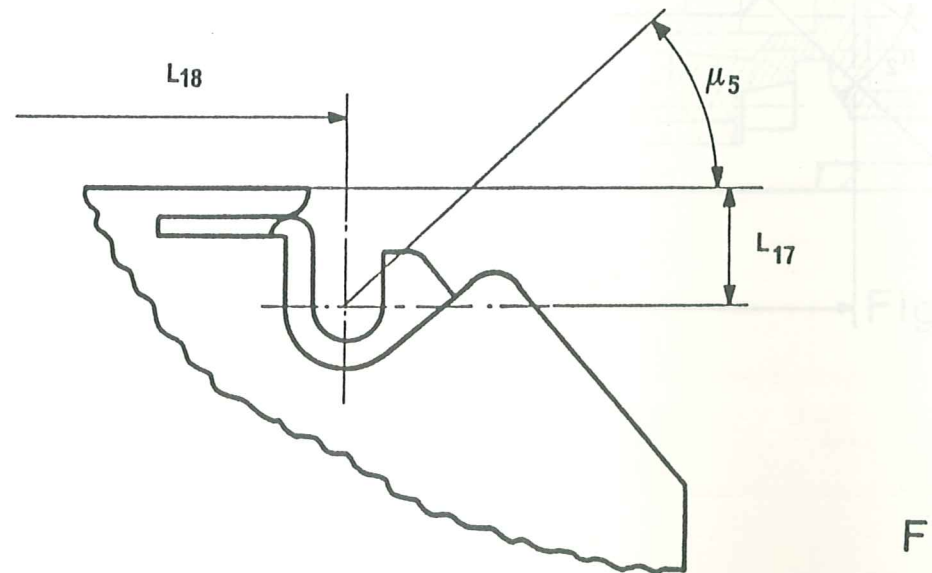
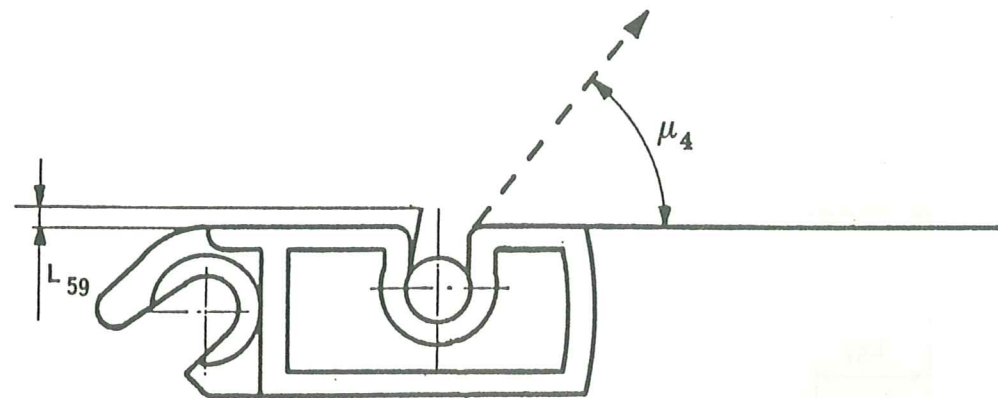


Fig. 15

SECTION IV

RECORDING METHOD
DATA FORMAT
LAYOUT OF THE TAPE

7. METHOD OF RECORDING

The method of recording shall be :

- a ZERO is represented by flux transition at the beginning of a bit cell followed by a flux transition at the centre of the bit cell,
- a ONE is represented by a flux transition at the beginning of a bit cell.

7.1 Physical Recording Density

The physical recording density shall be:

- for all ZEROS: 1944 ftpmm
- for all ONES : 972 ftpmm

7.2 Bit Cell Length

The resulting nominal bit cell length is 1,029 μm .

7.3 Average Bit Cell Length

The average bit cell length shall be the sum of n bit cell lengths divided by n.

7.4 Long-Term Average Bit Cell Length

The long-term average bit cell length shall be the average bit cell length taken over a minimum of 972 000 bit cells. The long-term average bit cell length shall be within $\pm 4\%$ of the nominal bit cell length.

7.5 Short-Term Average Bit Cell Length

The short-term average bit cell length (STA) shall be the average taken over 16 bit cells. The short-term average bit cell length shall be within $\pm 7\%$ of the nominal bit cell length.

7.6 Rate of Change

The rate of change of the short-term average bit cell length shall not exceed 1,6%.



$$100 \cdot \frac{|STA_n - STA_{n+1}|}{STA_n} \leq 1,6 \%$$

7.7 Bit Shift

The maximum displacement of any ONEs zero crossing, exclusive of missing pulses, shall not deviate by more than 28% from the expected nominal position as defined by the average bit cell length. See Appendix G for the test procedure.

7.8 Total Character Skew

No bit belonging to the same written transverse column shall be displaced by more than 19 bit cell lengths when measured in a direction parallel to the Reference Edge (see 8.2) of the tape.

7.9 Read Signal Amplitude

The average signal amplitude of an interchanged cartridge averaged over 4000 flux transitions at 972 ftpmm shall be between 60% and 150% of the Standard Reference Amplitude. Averaging for the interchanged cartridge may be segmented into blocks.

Traceability to the Standard Reference Amplitude is provided by the calibration factors supplied with each Secondary Standard Reference Tape.

7.10 Coincident Missing Pulses

No block shall be recorded over a coincident missing pulse zone (see also 10.4).

8. TRACK FORMAT

8.1 Number of Tracks

There shall be 18 tracks.

8.2 Reference Edge

The Reference Edge of the tape is its bottom edge when viewing the recording surface of the tape with the hub end of the tape to the observer's right (see 10.8.2).

8.3 Track Positions

The distance from the centrelines of the tracks to the Reference Edge shall be:

- Track 1 : 11,68 mm
- Track 2 : 11,05 mm
- Track 3 : 10,42 mm
- Track 4 : 9,79 mm
- Track 5 : 9,16 mm
- Track 6 : 8,53 mm
- Track 7 : 7,90 mm
- Track 8 : 7,27 mm
- Track 9 : 6,64 mm
- Track 10 : 6,01 mm
- Track 11 : 5,38 mm
- Track 12 : 4,75 mm
- Track 13 : 4,12 mm

- Track 14 : 3,49 mm
- Track 15 : 2,86 mm
- Track 16 : 2,23 mm
- Track 17 : 1,60 mm
- Track 18 : 0,97 mm

The tolerance shall be $\pm 0,04$ mm for all tracks.

8.4 Track Width

The width of a written track shall be $0,540$ mm $\pm 0,017$ mm.

8.5 Azimuth

On any track the angle that a flux transition across the track makes with a line perpendicular to the Reference Edge shall not be greater than 3 minutes of arc.

NOTE 6

At the time of writing the tape, the azimuth should be less than 1 minute of arc. The remaining 2 minutes of arc is the allowance for tape distortion caused by environmental conditions and aging.

9. DATA FORMAT

Prior to recording, the data shall be arranged in groups completed with computed check characters. These data groups shall be in turn arranged in a given sequence together with additional groups of bytes having prescribed bit patterns. The so arranged data bytes and additional bytes shall then be recorded on the tape according to a specific coding scheme.

9.1 Types of Bytes

9.1.1 Data bytes

Data Bytes are 8-bit bytes available for the recording of the information to be interchanged and/or stored.

9.1.1.1 Coded Representation of characters in data bytes

Characters shall be represented by means of the 7-bit Coded Character Set (ECMA-6) and, where required, by its 7-bit or 8-bit extensions (ECMA-35) or by means of an 8-bit Code (ECMA-13).

i) Recording of 7-bit Coded Characters

Each 7-bit coded character shall be recorded in bit positions B_1 to B_7 of a byte; bit-position B_8 shall be recorded with ZERO. The relationship shall be as follows:

Binary weight	-	64	32	16	8	4	2	1
Bit designation	-	b_7	b_6	b_5	b_4	b_3	b_2	b_1
Bit-positions in the byte	B_8	B_7	B_6	B_5	B_4	B_3	B_2	B_1

ii) Recording of 8-bit Coded Characters

Each 8-bit coded character shall be recorded in bit positions B₁ to B₈ of a byte. The relationship shall be as follows:

Binary Weight	128	64	32	16	8	4	2	1
Bit designation	b ₈	b ₇	b ₆	b ₅	b ₄	b ₃	b ₂	b ₁
Bit-position in the byte	B ₈	B ₇	B ₆	B ₅	B ₄	B ₃	B ₂	B ₁

NOTE 7

If each character has a coded representation consisting of one single 7-bit or 8-bit byte, the number of characters is equal to the number of data bytes. Code extension techniques allow multiple-byte representation. In this case the number of characters is equal to the number of data bytes divided by the number of bytes of the coded representation of a single character.

9.1.1.2 Representation of binary data in data bytes

When the coding method requires it, the coded representations to be recorded in data bytes shall be regarded as an ordered sequence of bit positions, each containing a bit, which can be either a ZERO or a ONE.

The binary weights, bit designations and bit positions shall be as given in 9.1.1.1 ii).

9.1.2 Pad bytes

Pad bytes are 8-bit bytes having a bit pattern consisting of eight ZEROS.

9.1.3 Block-ID bytes

There shall be four 8-bit bytes for the representation of the Block-ID. These four bytes shall follow the last data byte. The 32 bits are numbered from 1 (most significant) to 32 (least significant). These bits shall have the following values:

Bit 1 shall be ZERO.

Bits 2 to 8 shall express in binary notation the value of a Physical Position Indicator. This value shall be rounded up to the next positive integer satisfying the condition:

$$1 \leq \left[\frac{62,5 \sqrt{625 + R_0^2 - R^2}}{R} - \frac{25}{R_0} \right] \leq 91$$

where:

R₀ is the initial radius of the fully loaded reel of tape,

R is the current radius of the reel of tape.

NOTE 8

The purpose of the Physical Position Indicator is to provide a coarse, fast indication of the location of the data without having to read the data or all Block-ID bytes.

Bits 9 to 12 shall be ZEROS.

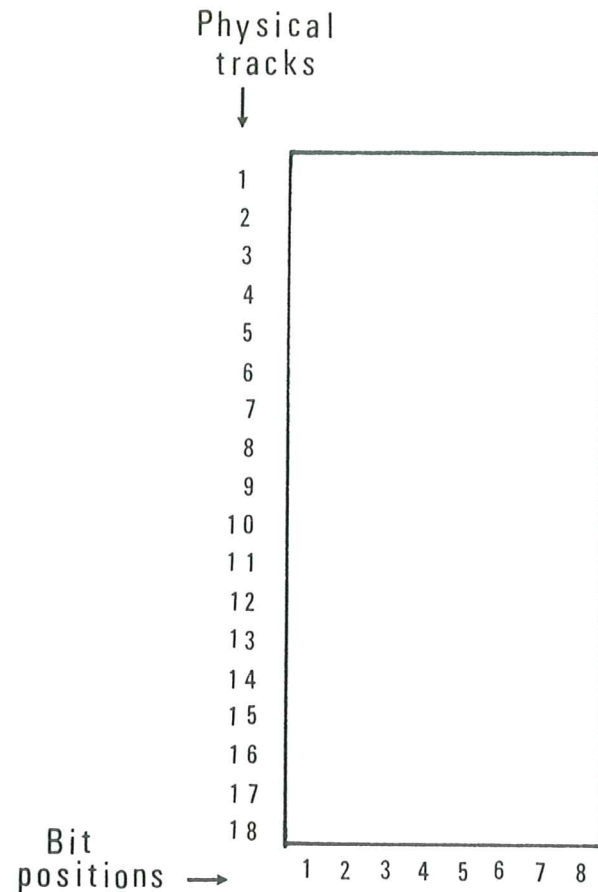
Bits 13 to 32 shall express in binary notation a Count which is increased by 1 for each Data Block (see 9.3) and each Tape Mark (see 10.5). The Count is set to 0 for the first Recorded Data Block (see 9.6) or Tape Mark following the initial Interblock Gap (see 10.3).

These 32 bits shall be assigned to the following positions.

Byte sequence	1	2	3	4
Bits	1 to 8	9 to 16	17 to 24	25 to 32
Bit position in the byte	8 to 1	8 to 1	8 to 1	8 to 1

9.2 Frame

A frame shall be a section across all 18 tracks which contain logically related 8-bit bytes, one byte per track. Each byte in a frame is recorded along a track and is represented by a 9-bit pattern (see 9.5).



9.3 Data Block

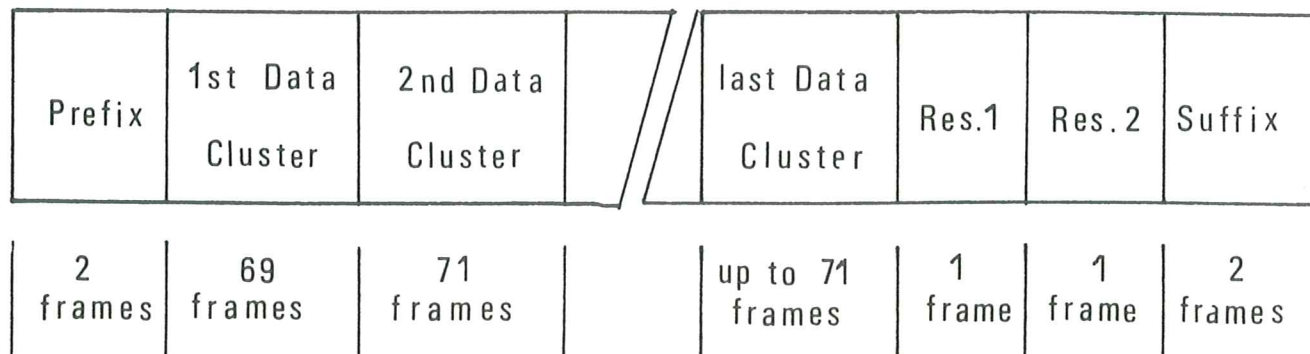
A Data Block shall contain at least 1 and at most 32768 data bytes.

NOTE 9

The interchange of cartridges recorded with larger data blocks requires agreement between the interchanging parties.

A Data Block shall have the following structure:

- First 2 frames:
Prefix
- Further frames up to 2340 frames grouped in clusters:
Data Frames
- Next frames, up to 2 frames:
Residual Frame 1 and Residual Frame 2, or Residual Frame 2 only
- Last 2 frames:
Suffix.



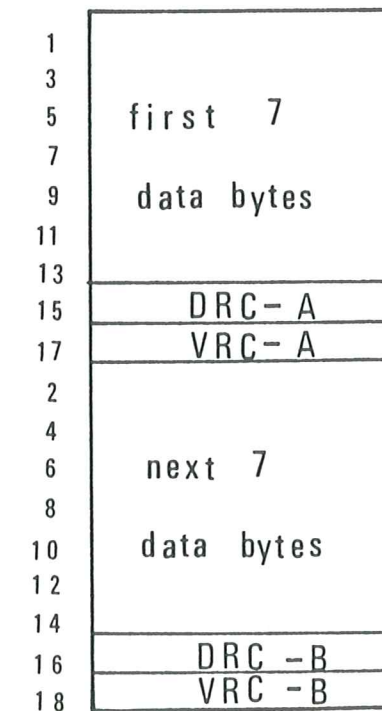
9.3.1 Prefix

The prefix shall consist of two frames containing pad bytes in each track.

9.3.2 Data Frames

Each Data Frame shall consist of:

- the first 7 data bytes recorded in odd tracks 1 to 13,
- the next 7 data bytes recorded in even tracks 2 to 14,
- a Diagonal Redundancy Check Byte (DRC-A) recorded in track 15 (see 9.4.1 and 9.4.3),
- a Vertical Redundancy Check Byte (VRC-A) recorded in track 17 (see 9.4.2 and 9.4.3),
- a Diagonal Redundancy Check Byte (DRC-B) recorded in track 16 (see 9.4.1 and 9.4.3),
- a Vertical Redundancy Check Byte (VRC-B) recorded in track 18 (see 9.4.2 and 9.4.3).



The Data Frames are grouped in clusters as follows:

- the first cluster shall contain up to 69 frames of data bytes,
- the next clusters, if provided, shall each contain 71 frames of data bytes,
- the last cluster shall contain up to 71 frames of data

bytes.

9.3.3 Residual Frame 1

If after the last Data Frame of the last Data cluster 8 or 9 data bytes remain to be recorded, there shall be a Residual Frame 1. If the number of remaining data bytes is less than 8 there shall be no Residual Frame 1.

The structure of the Residual Frame 1 shall be:

- 8 or 9 data bytes,
- four Block-ID bytes,
- 1 or 2 pad bytes, depending on the number of remaining data bytes,
- in Tracks 15 and 17 the DRC-A and the VRC-A, respectively,
- in Tracks 16 and 18 the DRC-B and the VRC-B, respectively.

1	7 data bytes
3	
5	
7	
9	
11	
13	
15	DRC - A
17	VRC - A
2	1 data byte
4	1 data or BlockID
6	3 Block ID bytes
8	
10	
12	BlockID or pad
14	1 pad byte
16	DRC - B
18	VRC - B

9.3.4 Residual Frame 2

If there is no Residual Frame 1, i.e. if there are 7 or less remaining data bytes, these data bytes followed by the 4 Block-ID Bytes followed by pad bytes shall be recorded in odd tracks 1 to 13 and even tracks 2 to 8. If there are no remaining data bytes, the 4 Block-ID bytes shall be recorded in odd tracks 1 to 7, followed by pad bytes in odd tracks 9 to 13 and even tracks 2 to 8.

If there is a Residual Frame 1, odd tracks 1 to 13 and even

tracks 2 to 8 shall be recorded with pad bytes.

In either case:

- Track 10 shall be recorded with the Residual Byte (see 9.3.4.1)
- Track 12 and 14 with the CRC Byte 1 and the CRC Byte 2, respectively (see 9.3.4.2)
- Tracks 15 and 17 with the DRC-A and the VRC-A, respectively
- Tracks 16 and 18 with the DRC-B and the VRC-B respectively.

1	up to 7 data bytes or up to 4 BlockID or up to 7 pad bytes
3	
5	
7	
9	
11	
13	
15	DRC - A
17	VRC - A
2	up to 4 Block ID or pad bytes
4	
6	
8	Residual Byte
10	
12	2 CRC bytes
14	DRC - B
16	
18	VRC - B

9.3.4.1 Residual Byte

The Residual Byte shall be recorded in track 10 of the Residual Frame 2. Its bits are numbered from 1 (most significant) to 8 (least significant).

Bits 1 and 2 shall be unspecified, they can be a ONE or a ZERO.

Bits 3 and 4 shall be ONES.

Bits 5 to 8 shall express in binary notation the total number of pad bytes in the Residual Frame(s).

The allocation of bits to the bit positions in the Residual Byte shall be:

Bit 1 to 8

Bit position 8 to 1

9.3.4.2 Cyclic Redundancy Check Character (CRC)

The 16-bit CRC shall be represented by two bytes recorded in tracks 12 and 14 of the Residual Frame 2. The CRC shall be computed from the generator polynomial.

$$x^{16} + x^{15} + x^8 + x + 1$$

The CRC is computed over the data, the Block-ID and the pad bytes. It does not include the ECC bytes.

The bits of the bytes of the CRC shall be processed starting with bit 1, i.e. the least-significant bit and ending with bit 8, i.e. the most significant bit.

NOTE 10

As this polynomial is symmetrical it yields the same value when read in either direction.

The allocations of bits to bit positions in the two CRC bytes is:

	CRC Byte 1	CRC Byte 2
Bits	9 to 16	1 to 8
Bit position	8 to 1	8 to 1

9.3.5 Suffix

The Suffix shall consist of two frames containing:

- in odd tracks 1 to 13 : pad bytes
- in track 15 : DRC-A
- in track 17 : VRC-A
- in even tracks 2 to 14 : pad bytes
- in track 16 : DRC-B
- in track 18 : VRC-B

9.4 Error Correcting Code (ECC)

The error correcting code yields check bits:

- the Diagonal Redundancy Check (DRC)
- the Vertical Redundancy Check (VRC).

Computation of the DRCs and VRCs starts with the Prefix and ends with the Suffix.

In 9.4.1 and 9.4.2 the following notation is used:

$T_n =$ the m-th bit of the n-th track

9.4.1 Diagonal Redundancy Check (DRC)

The two DRCs shall be recorded in tracks 15 and 16, respectively. The bits in each of these tracks shall be computed from the bits in all other tracks, except tracks 17 and 18. The m-th bit in each of these tracks is specified by:

$$m\text{-th bit of track 15} = \left\{ \sum_{n=0}^6 T(2n+1)_{m-n-1} + \sum_{n=1}^8 T(2n)_{m-n-7} \right\} \pmod{2}$$

$$m\text{-th bit of track 16} = \left\{ \sum_{\substack{n=0 \\ i=7}}^{\substack{i=1 \\ n=6}} T(2n+1)_{m+n+14} + T(15)_{m-15} + \sum_{n=1}^7 T(2n)_{m+n-8} \right\} \pmod{2}$$

9.4.2 Vertical Redundancy Check (VRC)

The two VRCs shall be recorded in tracks 17 and 18, respectively. The bits in each of these tracks shall be computed from the bits of the eight other tracks having the same index parity. The m-th bit in each of these tracks is specified by:

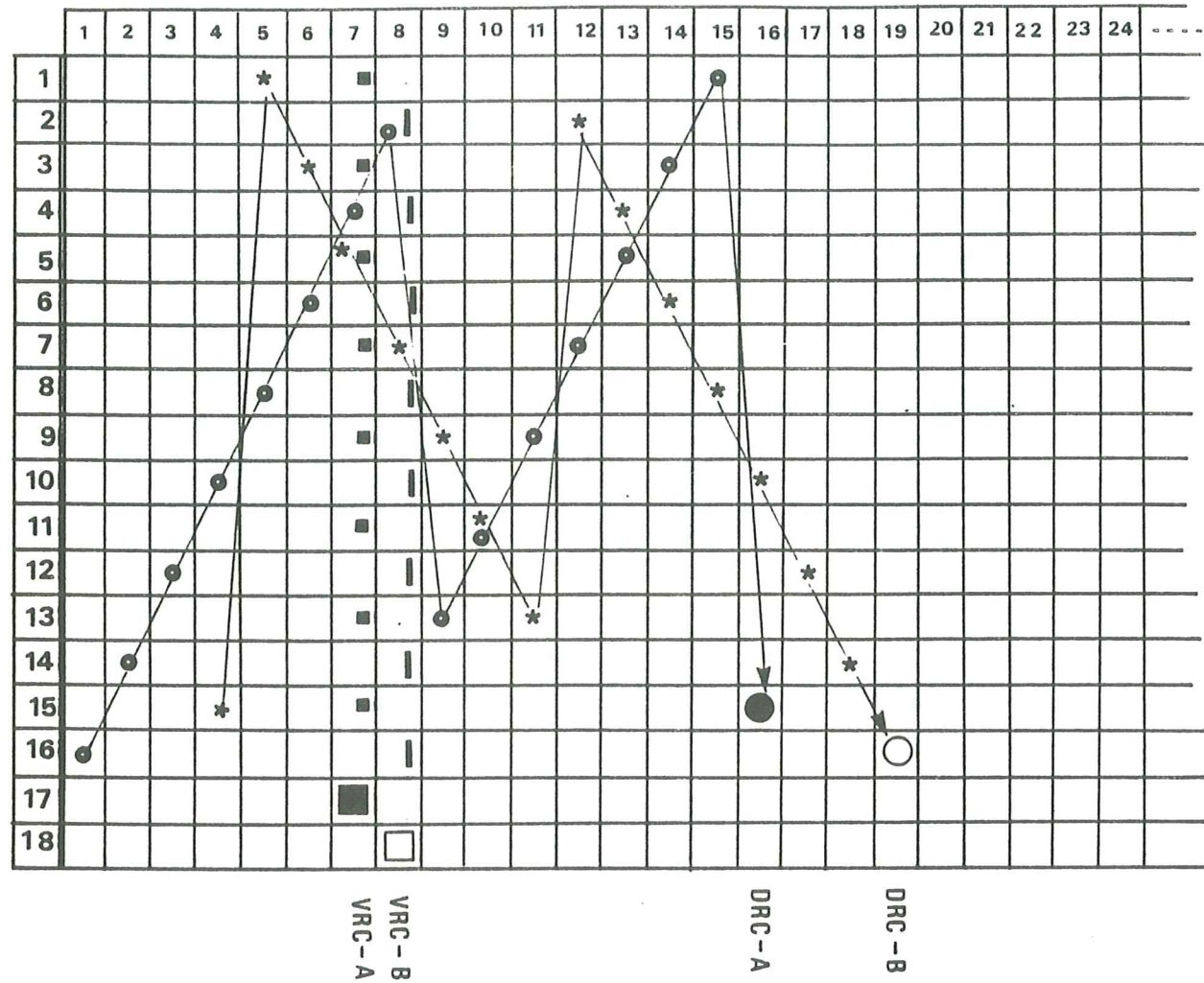
$$m\text{-th bit of track 17} = \left\{ \sum_{n=0}^7 T(2n+1)_m \right\} \pmod{2}$$

$$m\text{-th bit of track 18} = \left\{ \sum_{n=1}^8 T(2n)_m \right\} \pmod{2}$$

9.4.3 ECC Format

In each frame the eight bits of each DRC and each VRC shall be considered as an 8-bit Check Bytes.

9.4.4 Summary of ECC



- bit of the DRC-A
- bit of the VRC-A
- bit of the DRC-B
- bit of the VRC-B

BIBLIOGRAPHY

For a complete description of this ECC schema, see A.M. PATEL: Adaptive cross parity (AXP) code for a high-density magnetic tape subsystem, in IBM Journal of Research and Development, Vo. 29, Number 6 of November 1985.

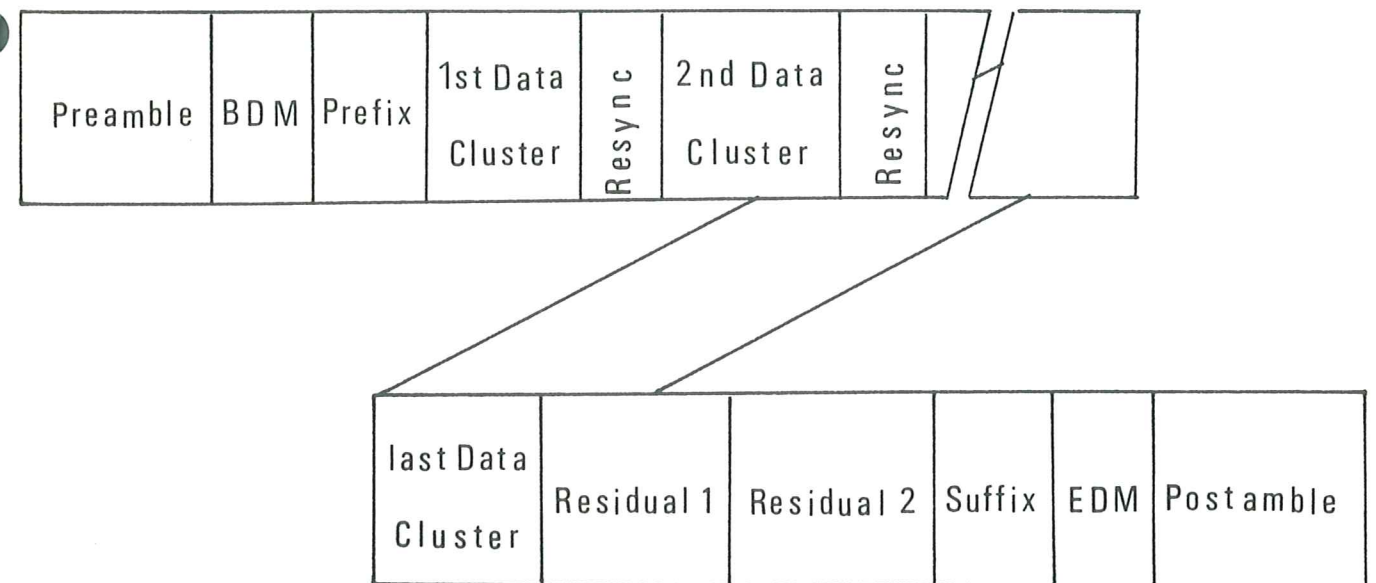
9.5 Recording of 8-bit bytes on the tape

Each 8-bit byte in the Prefix, in the Data Frames, in the Residual Frame(s) and in the Suffix shall be represented by a 9-bit pattern on the tape.

Appendix F specifies the 9-bit pattern representing each 8-bit byte. The bit of the 9-bit pattern in the lowest bit position shall be recorded first.

9.6 Recorded Data Block

When recorded on the tape each Data Block shall have the following structure and be called a Recorded Data Block.



9.6.1 Preamble

The Preamble shall consist of between 9 and 13 frames recorded with the 9-bit pattern 111111111 in all tracks.

9.6.2 Beginning of Data Mark (BDM)

The BDM shall consist of two frames recorded with the 9-bit pattern 100010001 in all tracks.

9.6.3 Resync Control Frame

A Resync Control Frame shall have the 9-bit pattern 100010001 in all tracks. A Resync Control Frame shall be recorded after each 71 frames starting with the Prefix frames. If the Resync Control Frame would immediately precede the EDM, it shall not be recorded.

9.6.4 End of Data Mark (EDM)

The EDM shall consist of two frames recorded with the 9-bit pattern 100010001 in all tracks.

9.6.5 Postamble

The Postamble shall consist of between 9 and 13 frames recorded with the 9-bit pattern 111111111 in all tracks.

9.7 Data Density

Due to the ECC bytes, the 8-bit to 9-bit conversion and to the Resync Control Frames the maximum density of data bytes is:

$$14 \cdot 972 \cdot \frac{1}{8} \cdot \frac{8}{9} \cdot \frac{71}{72} = 1491 \text{ data bytes per mm}$$

where:

- 14 : the number of data bytes per frame,
- 972 : the number of flux transitions per mm for the all ONEs density,
- 1/8 : the inverse value of the number of bits per byte,
- 8/9 : corresponds to the recording scheme of 9.5,
- 71/72 : corresponds to the Resync Control Frames.

10. TAPE FORMAT

The format of the tape is defined by the following control blocks separating and/or qualifying the Recorded Data Blocks.

- the Density Identification Burst,
- the ID Separator Burst,
- Interblock Gaps,
- Erase Gaps,
- Tape Marks.

The five control blocks have the following recording characteristics.

- i) The 18 tracks are divided into six zones:
 - zone A : Tracks 1, 7, 13
 - zone B : Tracks 2, 8, 14
 - zone C : Tracks 3, 9, 15
 - zone D : Tracks 4, 10, 16
 - zone E : Tracks 5, 11, 17
 - zone F : Tracks 6, 12, 18

	A	B	C	D	E	F
1	█					
2		█				
3			█			
4				█		
5					█	
6						█
7	█					
8		█				
9			█			
10				█		
11					█	
12						█
13	█					
14		█				
15			█			
16				█		
17					█	
18						█

- ii) The tracks of each zone are recorded either with the all ONEs pattern or with the repeated 6-bit pattern 100000 called tone.

10.1 Density Identification Burst

The Density Identification Burst shall be characterized by:

- all ONEs in zones A, C, F
- tone in zones B, D, E

Its length shall be:

- Nominal : 2375 mm
- Minimum : 2250 mm
- Maximum : 3060 mm

The Density Identification Burst shall be the first recording on the tape.

10.2 ID Separator Burst

The ID Separator Burst shall be characterized by:

- all ONEs in all zones.

Its length shall be:

- Nominal : 2,0 mm
- Minimum : 1,9 mm
- Maximum : 2,1 mm

10.3 Interblock Gaps

The Interblock Gaps shall be characterized by:

- all ONEs in zones A, D, F
- tone in zones B, C, E.

The length of each Interblock Gaps shall be:

- Nominal : 2,0 mm

Minimum : 1,6 mm
Maximum : 3,0 mm

Any discontinuity across all tracks in an Interblock Gap (e.g. due to start/stop mode) shall not be greater than 0,03 mm . Such discontinuity shall not occur less than 0,5 mm before the Preamble of a Recorded Data Block or within 0,5 mm after the Postamble of such a block.

An Interblock Gap shall be recorded immediately after the ID Separator Burst. An Interblock Gap shall be recorded before and after each Recorded Data Block, each Erase Gap (see 10.4) and each Tape Mark (see 10.5), except after the last Tape Mark on the tape (see 10.7).

10.4 Erase Gaps

Erase Gaps shall be characterized by:

- all ONES in zones B, C, F
- tone in zones A, D, E.

Erase Gaps shall be recorded over a length of tape where an unsuccessful write operation occurred or upon an erase instruction.

10.4.1 Normal Erase Gaps

The length of a Normal Erase Gap shall be:

Nominal : 7,8 mm
Minimum : 7,4 mm
Maximum : 8,2 mm

Up to 20 successive Normal Erase Gaps, separated by Interblock Gaps, are permitted to be written to cover a defect area.

10.4.2 Elongated Erase Gaps

The length of an Elongated Erase Gap shall be:

Maximum : 200 mm (7.87 in)

An Elongated Erase Gap shall be recorded when a Normal Erase Gap and/or the following Interblock Gap are not recognized as such. Within an Elongated Erase Gap partial Interblock Gaps of not more than 1 mm are permitted to appear.

10.5 Tape Marks

Tape Marks shall be characterized by:

- all ONES in zones B, D, E
- tone in zones A, C, F.

The length of each Tape Mark shall be:

Nominal : 1,0 mm
Minimum : 0,7 mm
Maximum : 1,3 mm

One or more Tape Marks may be used to delimit sequences of Recorded Data Blocks.

10.6 Relation between Interblock Gaps, Erase Gaps and Tape Marks

Where an Interblock Gap precedes or follows an Erase Gap or a Tape Mark, respectively, in six of the nine tracks the prescribed tone pattern shall be preceded or followed by 18 ONE bits.

10.6.1 Interblock Gap followed by a Tape Mark

On tracks 1, 6, 7, 12, 13 and 18:

- the tone pattern of the Tape Mark is preceded by 18 ONE bits.

On tracks 2, 5, 8, 11, 14 and 17:

- the tone pattern of the Interblock Gap ends with 18 ONE bits.

10.6.2 Tape Mark followed by an Interblock Gap

On tracks 1, 6, 7, 12, 13 and 18:

- the tone pattern of the Tape Mark ends with 18 ONE bits.

On tracks 2, 5, 8, 11, 14 and 17:

- the tone pattern of the Interblock Gap is preceded by 18 ONE bits.

10.6.3 Interblock Gap followed by an Erase Gap

On tracks 1, 4, 7, 10, 13 and 16:

- the tone pattern of the Erase Gap is preceded by 18 ONE bits.

On tracks 2, 3, 8, 9, 14 and 15:

- the tone pattern of the Interblock Gap ends with 18 ONE bits.

10.6.4 Erase Gap followed by an Interblock Gap

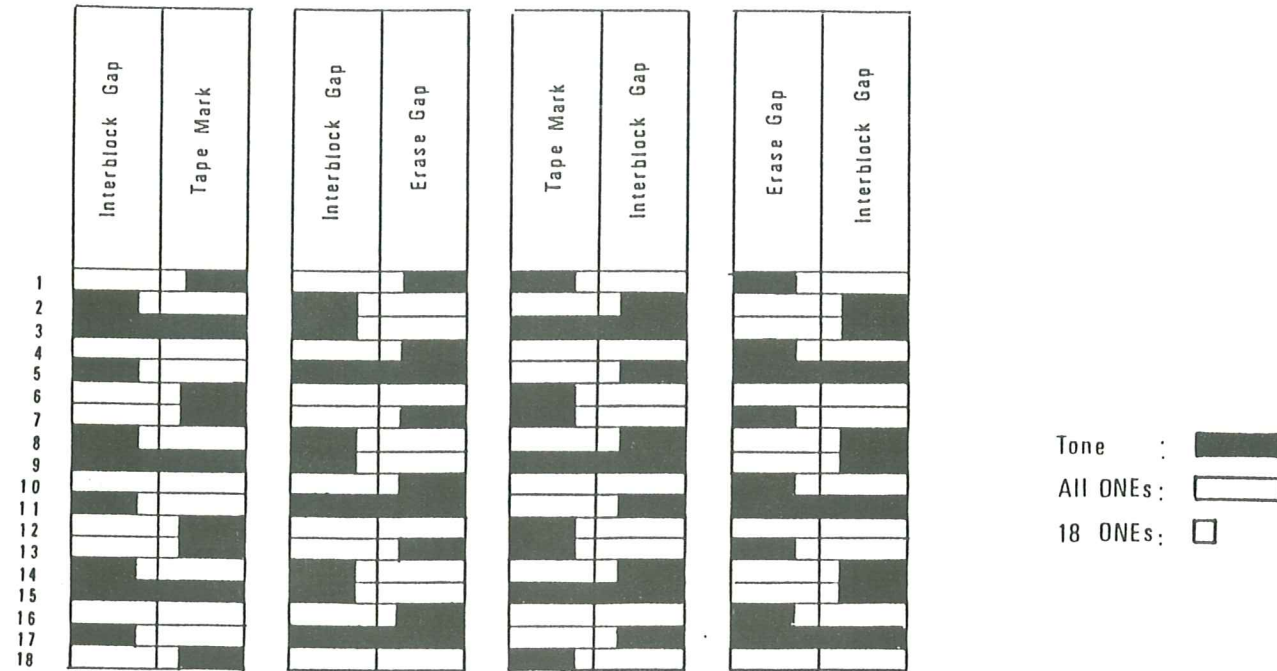
On tracks 1, 4, 7, 10, 13 and 16:

- the tone pattern of the Erase Gap ends with 18 ONE bits.

On tracks 2, 3, 8, 9, 14 and 15:

- the tone pattern of the Interblock Gap is preceded by 18 ONE bits.

10.6.5 Summary of the relation between Interblock Gaps, Erase Gaps and Tape Marks



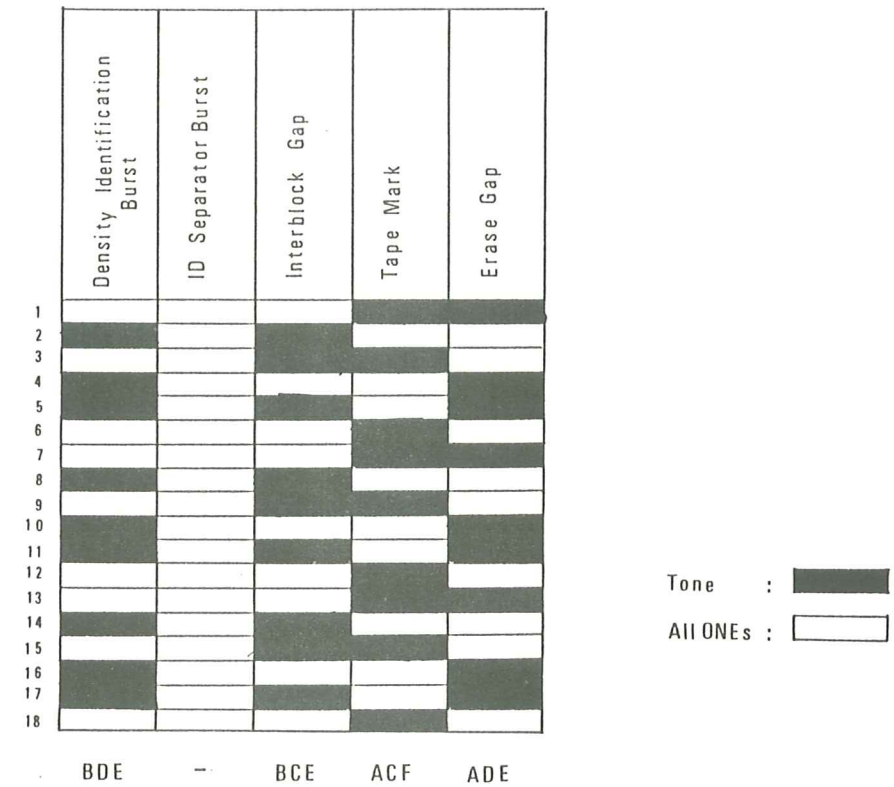
10.7 First and Last Recording on the Tape

The first recording on the tape shall be a Density Identification Burst. It shall begin not more than 1,34 m from the leader block of the cartridge and end not less than 3,28 m from it.

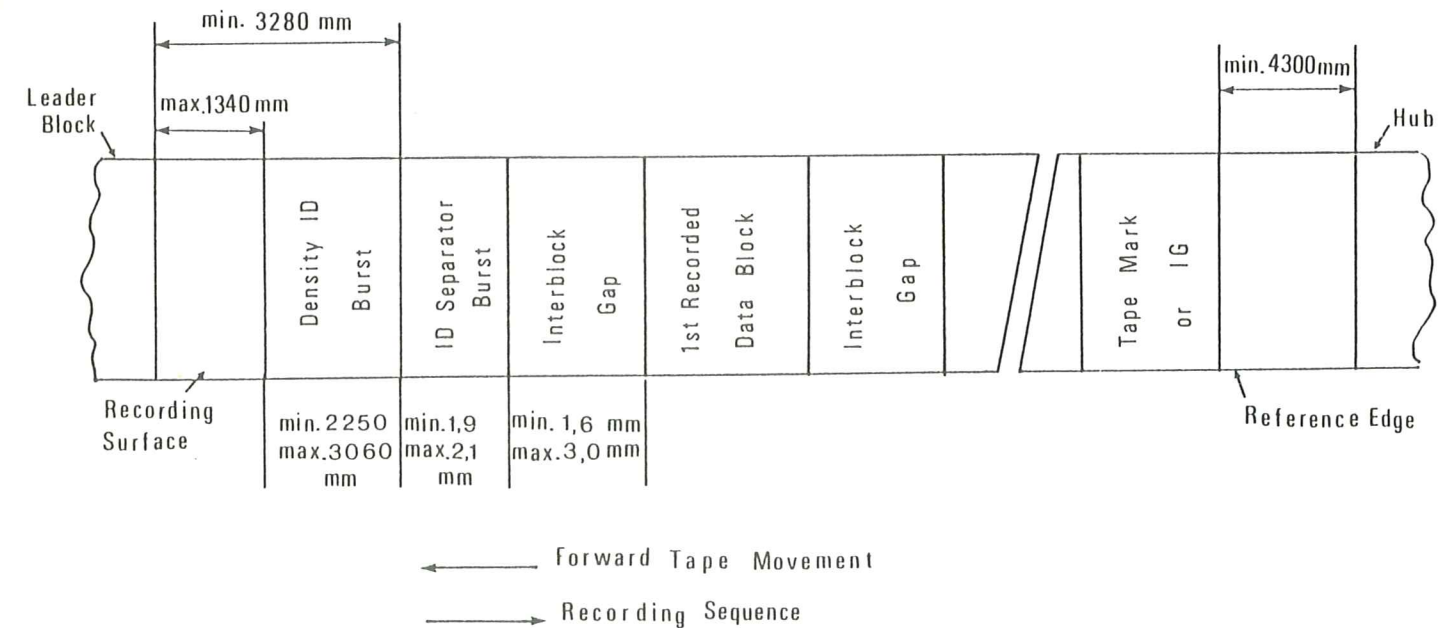
The last recording on the tape shall be a Tape Mark optionally followed by an Interblock Gap. It shall end not less than 4,3 m from the junction of the tape to the hub of the cartridge.

10.8 Summary of the Tape Format

10.8.1 Characteristics of Recording other than Recorded Data Blocks



10.8.2 Arrangement of Recording on the Tape



SECTION V

APPENDICES

APPENDIX A

RECOMMENDATIONS FOR TRANSPORTATION

A.1 ENVIRONMENT

It is recommended that during transportation the cartridges are kept within the following conditions:

A.1.1 Unrecorded Cartridges

Temperature : -23 °C to 48 °C
Relative Humidity : 5% to 100%
Wet Bulb Temperature : 26 °C max.
Duration : 10 consecutive days max.

There shall be no condensation in or on the cartridge.

A.1.2 Recorded Cartridges

Temperature : 5 °C to 32 °C
Relative Humidity : 5% to 80%
Wet Bulb Temperature : 26 °C max.

There shall be no condensation in or on the cartridge.

A.2 HAZARDS

Transportation of recorded cartridges involves three basic potential hazards.

A.2.1 Impact Loads and Vibration

The following recommendations should minimize damage during transportation.

- i) Avoid mechanical loads that would distort the cartridge shape.
- ii) Avoid dropping the cartridge more than 1 m.
- iii) Cartridges should be fitted into a rigid box containing adequate shock-absorbant material.
- iv) The final box must have a clean interior and a construction that provides sealing to prevent the ingress of dirt and water.
- v) The orientation of the cartridges within the final box should be such that their axes are horizontal.
- vi) The final box should be clearly marked to indicate its correct orientation.

A.2.2 Extremes of Temperature and Humidity

- i) Extreme changes in temperature and humidity should be avoided whenever possible.
- ii) Whenever a cartridge is received it should be conditioned in the operating environment for a period of at least 24 hours.

A.2.3 Effects of Stray Magnetic Fields

A nominal spacing of not less than 80 mm should exist between the cartridge and the outer surface of the shipping container. This should minimize the risk of corruption.

APPENDIX B

INHIBITOR TAPE

Any tape that reduces the performance of the tape drive or other tapes is called an inhibitor tape. Certain tape characteristics can contribute to poor tape drive performance. These characteristics include: high abrasiveness, high static friction to tape path components, poor edge conditions, excessive tape wear debris, interlayer slippage, transfer of oxide coating to the back of the next tape layer, separation of tape constituents causing deposits that may lead to tape sticking or poor performance of other tapes. Tapes that have these characteristics may not give satisfactory performance and can result in excessive errors.

Tapes to be used in this cartridge should not be inhibitor tapes.

APPENDIX C

TAPE ABRASIVITY MEASUREMENT PROCEDURE

Tape abrasivity is the tendency of the tape to wear the tape transport.

Install a clean ferrite wear bar made as shown in Fig. C1 on a holding fixture similar to that shown in Fig. C2. The test edge facing upward shall be unworn and free of chips or voids greater than 1 μm in size. The radius of the test edge must not be greater than 13 μm .

The material of the ferrite bar shall be single-phase polycrystalline ferrite. It shall have the following weight percentages:

ZnO	22%
NiO	11%
Fe ₂ O ₃	67%

Its average grain size shall be 7,2 $\mu\text{m} \pm 2 \mu\text{m}$. Its density shall not be less than 5,32 g/cm^3 .

NOTE C1

Such material should be available as "Sumitomo H4R2 or H4R3" from Sumitomo Special Metals Div. in Torrance (California), USA.

The surface finish on all four sides of the bar shall be at least of roughness grade N2 (ISO 1302).

Install the test fixture on a tape transport so that the wrap angle of the tape over the bar is 8° on each side for 16° of total wrap.

Set the tape tension at the bar at 1,4 N.

With a tape speed of 1 m/s, make one pass of the tape over the wear bar. The length of tape passing over the wear bar shall be 520 m \pm 2,5 m. This length may be segmented into the appropriate number of cartridges.

Remove the holding fixture from the transport and measure the length of the flat worn on the wear bar. This measurement is most easily made using a microscope of known magnification, a camera, and a reference reticule. Magnification of 300 times or higher is recommended.

Measurements should be taken across the 1/4, 1/2 and 3/4 points of the 12,65 mm width of the wear pattern. The three readings are averaged and the average length is used. Fig. C3 shows a typical wear pattern and the points of measurements.

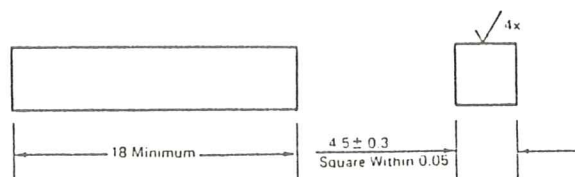


Fig. C1 - Ferrite Wear Bar

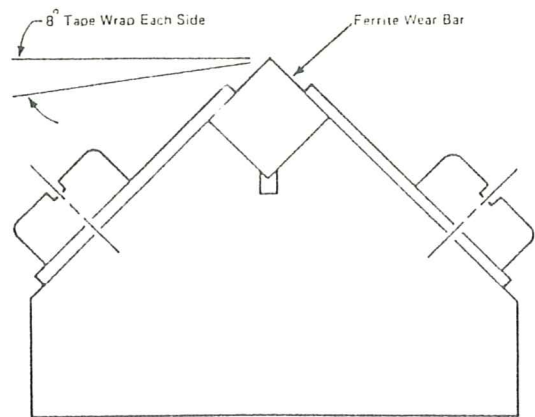


Fig. C2 - Wear Bar Holding Fixture

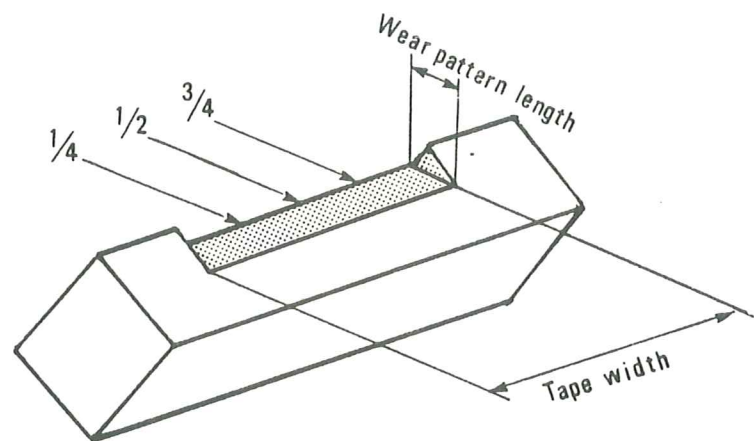


Fig. C3 - Typical Wear Pattern. Ferrite Bar following abrasivity test illustrating three locations for wear length measurement (the amount of wear is exaggerated for clarity).

APPENDIX D

RECOMMENDATIONS ON TAPE DURABILITY

When delivered from the supplier the tape of a new cartridge should meet the following requirements.

Testing and measurements performed on the cartridge using an appropriate drive are described below. The test must be performed in the operating environment (see 4.2) for the tape and the tape drive.

D.1 SHORT-LENGTH DURABILITY/RELIABILITY

D.1.1 The short-length durability/reliability is the ability of the tape to withstand the wearing action encountered during repeated access to a short file of data. A permanent missing pulse is one that persists for ten consecutive read passes.

D.1.2 No permanent coincident missing pulse zones are permitted for a minimum of 40000 read forward passes. In addition, no more than one permanent coincident missing pulse zone is permitted on the average for each 80000 read forward passes.

D.1.3 Procedure

Ensure the tape drive is clean before starting this test.

As a test sample, use a minimum of four cartridges, written in the area of the tape free of coincident missing pulse zones. The area to be tested on each cartridge should start approximately 10 m or 500 records of 25000 bytes each past the tape load point. The test area should consist of 1 m or 50 such records.

Each test cycle consists of starting at the beginning of the test area and accessing each record in the test area before returning to the beginning of the test area. For a complete test, 80000 cycles should be made on each cartridge. Ten attempts to read forward should be made for each coincident missing pulse zone before a permanent coincident missing pulse zone is logged.

Tape path cleaning between passes is not permitted for this test.

D.2 LONG-LENGTH DURABILITY/RELIABILITY

D.2.1 The long-length durability/reliability is the ability of the tape to resist the wearing action encountered while cycling full-length passes on a tape drive. This is not a test for end of life for the tape.

D.2.2 The cartridges should meet the following requirements.

- i) The number of coincident missing pulse zones for the first 200 full length passes should not be more than 6 per 165 m of tape.
- ii) No 165 m length of tape should have more than 12 coincident missing pulse zones on any single pass.

D.2.3 Procedure

Clean the tape drive before starting this test. Tape path cleaning between passes is not permitted for this test. The whole length of tape should be written continuously or with records of at least 16000 bytes.

APPENDIX E

PRE-RECORDING CONDITION

E.1 Explanation

The pre-recording condition is the remanent magnetic moment of the recording surface. The remanent magnetic moment is the magnetic moment of the recording surface in the absence of any magnetizing field. The maximum remanent magnetic moment of the recording surface is the remanent magnetic moment of the recording surface after subjecting the recording surface to a magnetizing field of 350 kA/m. The recording surface may have been subjected to a high magnetizing field, e.g. during manufacture, during testing, or by use on a magnetic recording system that leaves areas of surface that have been DC erased or contain low density transitions. As the resulting high magnetic moment can impair the operation of the recording system it is necessary to ensure that, before recording, the remanent state has been reduced to, at most, the level specified in 5.17.

E.2 Procedure

The magnetic moment shall be measured using a vibrating sample magnetometer (VSM), following these steps:

- 1) Cut a circular sample of diameter 6 mm to 12 mm from the parent tape.
- 2) Identify the longitudinal (coating) direction of the sample.
- 3) Mount the sample on the VSM sample holder with the longitudinal direction aligned from pole to pole.
- 4) Centre the sample between the poles in accordance with the VSM manufacturer's instructions.

NOTE E1

Do not expose the sample to any stray magnetic fields greater than 4 kA/m during preparation or mounting.

- 5) Measure the remanent magnetic moment of the sample.
- 6) Rotate the sample 180° and repeat steps 4 and 5.
- 7) Cycle the sample four times around the hysteresis loop using a peak field of 350 kA/m.
- 8) Measure the positive and negative values of maximum remanent magnetic moment.
- 9) Compare the ratio of values obtained in steps 5 and 8.

APPENDIX F

REPRESENTATION OF 8-BIT BYTES BY 9-BIT PATTERNS

8-bit byte	9-bit pattern	8-bit byte	9-bit pattern
00000000	011001011	00110000	011100011
00000001	011001001	00110001	001100011
00000010	001001101	00110010	001110010
00000011	101100011	00110011	001110011
00000100	011001010	00110100	010100011
00000101	101100101	00110101	001110101
00000110	101100110	00110110	001110110
00000111	101100111	00110111	001110111
00001000	011001111	00111000	111100011
00001001	101101001	00111001	001111001
00001010	101101010	00111010	001111010
00001011	101101011	00111011	001111011
00001100	011001110	00111100	110100011
00001101	101101101	00111101	001111101
00001110	101101110	00111110	001111110
00001111	101101111	00111111	001111111
00010000	001001011	01000000	010001011
00010001	001001001	01000001	010001001
00010010	011001101	01000010	010010010
00010011	100100011	01000011	010010011
00010100	001001010	01000100	010001010
00010101	100100101	01000101	010010101
00010110	100100110	01000110	010010110
00010111	100100111	01000111	010010111
00011000	001001111	01001000	010001111
00011001	100101001	01001001	010011001
00011010	100101010	01001010	010011010
00011011	100101011	01001011	010011011
00011100	001001110	01001100	010001110
00011101	100101101	01001101	010011101
00011110	100101110	01001110	010011110
00011111	100101111	01001111	010011111
00100000	101001111	01010000	011100101
00100001	101001101	01010001	001100101
00100010	001010010	01010010	010110010
00100011	001010011	01010011	010110011
00100100	101001110	01010100	010100101
00100101	001010101	01010101	010110101
00100110	001010110	01010110	010110110
00100111	001010111	01010111	010110111

00101000	101001011	01011000	111100101
00101001	001011001	01011001	010111001
00101010	001011010	01011010	010111010
00101011	001011011	01011011	010111011
00101100	101001010	01011100	110100101
00101101	001011101	01011101	010111101
00101110	001011110	01011110	010111110
00101111	001011111	01011111	010111111
01100000	011100110	10010000	011101001
01100001	001100110	10010001	001101001
01100010	011010010	10010010	100110010
01100011	011010011	10010011	100110011
01100100	010100110	10010100	010101001
01100101	011010101	10010101	100110101
01100110	011010110	10010110	100110110
01100111	011010111	10010111	100110111
01101000	111100110	10011000	111101001
01101001	011011001	10011001	100111001
01101010	011011010	10011010	100111010
01101011	011011011	10011011	100111011
01101100	110100110	10011100	110101001
01101101	011011101	10011101	100111101
01101110	011011110	10011110	100111110
01101111	011011111	10011111	100111111
01110000	011100111	10100000	011101010
01110001	001100111	10100001	001101010
01110010	011110010	10100010	101010010
01110011	011110011	10100011	101010011
01110100	010100111	10100100	010101010
01110101	011110101	10100101	101010101
01110110	011110110	10100110	101010110
01110111	011110111	10100111	101010111
01111000	111100111	10101000	111101010
01111001	011111001	10101001	101011001
01111010	011111010	10101010	101011010
01111011	011111011	10101011	101011011
01111100	110100111	10101100	110101010
01111101	011111101	10101101	101011101
01111110	011111110	10101110	101011110
01111111	011111111	10101111	101011111
10000000	111001011	10110000	011101011
10000001	111001001	10110001	001101011
10000010	100010010	10110010	101110010
10000011	100010011	10110011	101110011
10000100	111001010	10110100	010101011
10000101	100010101	10110101	101110101
10000110	100010110	10110110	101110110
10000111	100010111	10110111	101110111
10001000	111001111	10111000	111101011
10001001	100011001	10111001	101111001
10001010	100011010	10111010	101111010
10001011	100011011	10111011	101111011

8 1 9 1

10001100	111001110	10111100	110101011
10001101	100011101	10111101	101111101
10001110	100011110	10111110	101111110
10001111	100011111	10111111	101111111
11000000	110001011	11100000	011101110
11000001	110001001	11100001	001101110
11000010	110010010	11100010	111010010
11000011	110010011	11100011	111010011
11000100	110001010	11100100	010101110
11000101	110010101	11100101	111010101
11000110	110010110	11100110	111010110
11000111	110010111	11100111	111010111
11001000	110001111	11101000	111101110
11001001	110011001	11101001	111011001
11001010	110011010	11101010	111011010
11001011	110011011	11101011	111011011
11001100	110001110	11101100	110101110
11001101	110011101	11101101	111011101
11001110	110011110	11101110	111011110
11001111	110011111	11101111	111011111
11010000	011101101	11110000	011101111
11010001	001101101	11110001	001101111
11010010	110110010	11110010	111110010
11010011	110110011	11110011	111110011
11010100	010101101	11110100	010101111
11010101	110110101	11110101	111110101
11010110	110110110	11110110	111110110
11010111	110110111	11110111	111110111
11011000	111101101	11111000	111101111
11011001	110111001	11111001	111111001
11011010	110111010	11111010	111111010
11011011	110111011	11111011	111111011
11011100	110101101	11111100	110101111
11011101	110111101	11111101	111111101
11011110	110111110	11111110	111111110
11011111	110111111	11111111	111111111

8 1 9 1 8 1 9 1

APPENDIX G

MEASUREMENT OF BIT SHIFT

The equipment normally used for recording interchange cartridges shall be used for recording the tape under test.

The tape shall be in the pre-recording condition as defined in 5.17.

The tape shall be written in any start/stop mode compatible with system operation.

G.1 Read Equipment

The tape shall be read on any tape transport in which the speed is within 1% of nominal speed.

There are no absolute requirements on the output voltage from the read head. However, the head design and the tape speed shall be chosen to avoid problems from low signal-to-noise ratios.

- Read Head

- . Inductive head: The gap length shall be less than 0,63 μm .
- . Magneto-resistive head: The effective read gap, calculated from the geometric mean of the distances from the element to each shield, shall be less than 0,63 μm .

- Read Channel

The frequency response of the head and read amplifier shall meet the following specification when tested with a wire placed close to and parallel to the read gap.

For an inductive head, the overall response shall be within 1 dB from a +6 dB/octave line over the frequency range corresponding to one twentieth of the ONEs frequency to 2,0 times the ONEs frequency. For example, a tape transport operated at 762 mm/s shall require a frequency range of 18,5 kHz to 740,7 kHz. The phase response shall be within 2° of a straight line over the same frequency range.

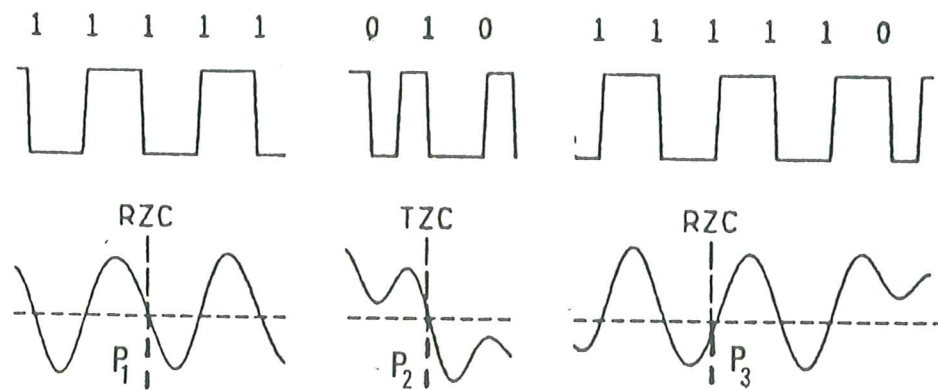
For a magneto-resistive head, the overall response shall be within 1 dB of flat over the above frequency range and the phase response shall be within 2° of a straight line over the same frequency range.

Response of either read channel shall roll off at 18 dB/octave starting at 2,0 times the ONEs frequency.

G.2 Measurement

The average bit cell length (L) is obtained from any pair of reference zero crossings (RZC) located on either side of the test zero crossing (TZC). A reference zero crossing is a ONE zero crossing with at least two adjacent ONE zero crossings on each side. The reference zero crossings shall not be more than 40 bit cells apart to keep the maximum error due to rate-of-change under 2%.

G.3 Data Analysis



if n is the number of bit cells between reference zero crossings, the average bit cell length is:

$$L = \frac{P_3 - P_1}{n}$$

where:

P_n is the position of the n-th ONE zero crossing.

If there are m bit intervals between the first reference zero crossing and the test zero crossing, then:

$$\text{Bit shift in \%} = \frac{|mL - (P_2 - P_1)|}{L}$$

APPENDIX H

DIMENSIONS OF THE CARTRIDGE

For convenience this Appendix lists the values of the linear dimensions and of the angles shown in the drawings.

TABLE H.1 - Linear Dimensions

	mm
L_1	125,00 ± 0,32
L_2	109,00 ± 0,32
L_3	24,50 $\left\{ \begin{array}{l} + 0,50 \\ - 0,32 \end{array} \right.$
L_4	11,80 ± 0,25
L_5	15,60 ± 0,25
L_6	7,40 ± 0,25
L_7	12,00 ± 0,25
L_8	2,55 min.
L_9	7,00 ± 0,25
L_{10}	80,00 $\left\{ \begin{array}{l} + 0,30 \\ - 0,16 \end{array} \right.$
L_{11}	12,30 ± 0,25
L_{12}	0,50 ± 0,25
L_{13}	31,00 ± 0,25
L_{14}	75,00 $\left\{ \begin{array}{l} + 0,30 \\ - 0,16 \end{array} \right.$
L_{15}	4,70 ± 0,25
L_{16}	14,90 ± 0,32
L_{17}	7,50 ± 0,25

L ₁₈	87,10 ± 0,25
L ₁₉	4,00 ± 0,25
L ₂₀	106 ± 0,25
L ₂₁	5,00 ± 0,25
L ₂₂	7,00 ± 0,25
L ₂₃	104,00 ± 0,25
L ₂₄	2,50 ± 0,25
L ₂₅	108,50 ± 0,25
L ₂₆	3,50 ± 0,25
L ₂₇	105,50 ± 0,25
L ₂₈	31,25 ± 0,25
L ₂₉	54,50 ± 0,25
L ₃₀	3,30 ± 0,25
L ₃₁	18,40 ± 0,25
L ₃₂	113,2 ± 0,3
L ₃₃	26,00 ± 0,25
L ₃₄	61,00 ± 0,25
L ₃₅	5,00 ± 0,25
L ₃₆	1,00 ± 0,16
L ₃₇	74,50 ± 0,25
L ₃₈	31,00 ± 0,25
L ₃₉	7,50 ± 0,32
L ₄₀	79,50 ± 0,25
L ₄₁	13,05 $\left\{ \begin{array}{l} + 0,20 \\ - 0,10 \end{array} \right.$
L ₄₂	1,90 $\left\{ \begin{array}{l} + 1,40 \\ - 0,90 \end{array} \right.$
L ₄₃	0,4 $\left\{ \begin{array}{l} + 1,0 \\ - 0,5 \end{array} \right.$
L ₄₄	2,27 ± 0,12
L ₄₅	0,65 ± 0,09
L ₄₆	8,1 ± 0,2
L ₄₇	12,25 nominal
L ₄₈	4 nominal
L ₄₉	2 nominal
L ₅₀	31,80 ± 0,04

L ₅₁	6,8 ± 0,1
L ₅₂	21,8 ± 0,2
L ₅₃	10,93 $\left\{ \begin{array}{l} + 0,06 \\ - 0,08 \end{array} \right.$
L ₅₄	5,46 ± 0,10
L ₅₅	6,00 ± 0,25
L ₅₆	16,5 $\left\{ \begin{array}{l} + 0,0 \\ - 0,2 \end{array} \right.$
L ₅₇	5,2 ± 0,2
L ₅₈	1,90 ± 0,26
L ₅₉	2,5 max.
L ₆₀	5,04 ± 0,20
L ₆₁	3,9 ± 0,5
L ₆₂	16,9 $\left\{ \begin{array}{l} + 0,5 \\ - 0,4 \end{array} \right.$
L ₆₃	3,0 ± 0,5
L ₆₄	11,6 ± 0,5
L ₆₅	86,9 nominal
L ₆₆	54,5 nominal
R ₁	3,00 max.
R ₂	4,00 max.
R ₃	3,00 min.
R ₄	1,00 max
R ₅	4,00 ± 0,25
R ₆	1,50 ± 0,25
R ₇	1,50 ± 0,25
R ₈	145,50 ± 0,25
R ₉	145,50 ± 0,25
R ₁₀	0,08 max.
R ₁₁	0,25 max.
R ₁₂	0,10 ≤ R ₁₂ ≤ 0,30
R ₁₃	25,00 ± 0,25
R ₁₄	1,4 ± 0,2
R ₁₅	5,50 ± 0,25

d_1	$43,5 \begin{cases} + 2,0 \\ - 1,0 \end{cases}$
d_2	$35,0 \begin{cases} + 0,2 \\ - 1,2 \end{cases}$
d_3	$11,15 \pm 0,05$
d_4	$36,0 \begin{cases} + 0,5 \\ - 0,0 \end{cases}$
d_5	$41,00 \pm 0,25$
d_6	$50,0 \begin{cases} + 0,0 \\ - 0,2 \end{cases}$
d_7	$7,0 \pm 0,2$
d_8	$4,0 \pm 0,2$
d_9	$2,0 \pm 0,5$
d_{10}	$10,0 \pm 0,2$
e_1	$1,51 \pm 0,10$

TABLE H.2 - Angles

α	$50^\circ \pm 1^\circ$
β	$1^\circ 30' \pm 30'$
γ	$2^\circ \pm 30'$
δ	$30^\circ \pm 30'$
θ	$16^\circ \pm 30'$
λ	$40^\circ \pm 30'$
ρ	$15^\circ \pm 30'$
φ	30° nominal
ψ	$11^\circ 3' \pm 5'$
μ_1	$90^\circ \pm 2^\circ$
μ_2	$8^\circ \begin{cases} + 0^\circ \\ - 3^\circ \end{cases}$
μ_3	$44^\circ \begin{cases} + 0^\circ \\ - 3^\circ \end{cases}$
μ_4	$38^\circ \pm 2^\circ$
μ_5	$48^\circ \pm 3^\circ$
ω_1	$1^\circ \pm 30'$
ω_2	$20^\circ \pm 2^\circ$