

ECMA

EUROPEAN COMPUTER MANUFACTURERS ASSOCIATION

STANDARD ECMA-139

**3,81 mm WIDE MAGNETIC TAPE CARTRIDGE
FOR INFORMATION INTERCHANGE
- HELICAL SCAN RECORDING -
DDS FORMAT**

June 1990

**Free copies of this document are available from ECMA,
European Computer Manufacturers Association
114 Rue du Rhône - CH-1204 Geneva (Switzerland)**

Phone: +41 22 735 36 34 Fax: +41 22 786 52 31

ECMA

EUROPEAN COMPUTER MANUFACTURERS ASSOCIATION

STANDARD ECMA-139

**3,81 mm WIDE MAGNETIC TAPE CARTRIDGE
FOR INFORMATION INTERCHANGE
- HELICAL SCAN RECORDING -
DDS FORMAT**

June 1990

BRIEF HISTORY

ECMA have produced a series of ECMA Standards for cassettes and cartridges containing magnetic tapes of different width and characteristics.

- ECMA-34 (1976): Data Interchange on 3,81 mm Magnetic Tape Cassette (32 bpmm, Phase Encoded)
- ECMA-46 (1976): Data Interchange on 6,30 mm Magnetic Tape Cartridge (63 bpmm, Phase Encoded)
- ECMA-79 (1985): Data Interchange on 6,30 mm Magnetic Tape Cartridge Using IMFM Recording at 252 ftpmm
- ECMA-98 (1985): Data Interchange on 6,30 mm Magnetic Tape Cartridge Using NRZ1 Recording at 394 ftpmm - Streaming Mode
- ECMA-120 (1987): Data Interchange on 12,7 mm 18-Track Magnetic Tape Cartridges

These media were designed for the digital recording of data for storage and processing in data processing systems. In recent years, other magnetic media, originally developed for audio and video applications have been considered for use in data processing applications for storage as well as for information interchange. The recording method known as helical scan recording, together with new types of magnetic tapes, allows to achieve capacities of more than 1 gigabyte of user data.

This ECMA Standard is the first of a series of ECMA Standards for such magnetic tape cartridges. A second standard for the same medium but for a different format as well as a standard for an 8 mm wide magnetic tape cartridge are under development.

This ECMA Standard has been contributed to ISO for further processing as an ISO International Standard under the fast-track procedure.

Adopted as an ECMA Standard by the General Assembly of 28th June 1990.

Table of Contents

| | Page |
|---|-------------|
| SECTION I - GENERAL | 1 |
| 1. SCOPE | 1 |
| 2. CONFORMANCE | 1 |
| 2.1 Magnetic Tape Cartridge | 1 |
| 2.2 Generating System | 1 |
| 2.3 Receiving System | 1 |
| 3. REFERENCES | 1 |
| 4. DEFINITIONS | 2 |
| 4.1 Absolute Frame Number (AFN) | 2 |
| 4.2 Automatic Track Finding (ATF) | 2 |
| 4.3 Area ID | 2 |
| 4.4 Average Signal Amplitude | 2 |
| 4.5 Azimuth | 2 |
| 4.6 Back Surface | 2 |
| 4.7 Byte | 2 |
| 4.8 Cartridge | 2 |
| 4.9 Channel Bit | 2 |
| 4.10 Data Format ID | 2 |
| 4.11 Early Warning Point (EWP) | 2 |
| 4.12 End of Data (EOD) | 2 |
| 4.13 Error Correcting Code (ECC) | 2 |
| 4.14 Flux Transition Position | 2 |
| 4.15 Flux Transition Spacing | 2 |
| 4.16 Frame | 3 |
| 4.17 Housekeeping Frame | 3 |
| 4.18 Logical Beginning of Tape (LBOT) | 3 |
| 4.19 Magnetic Tape | 3 |
| 4.20 Master Standard Amplitude Calibration Tape | 3 |
| 4.21 Master Standard Reference Tape | 3 |
| 4.22 Optimum Recording Field | 3 |
| 4.23 Partition Boundary | 3 |
| 4.24 Physical Beginning of Tape (PBOT) | 3 |
| 4.25 Physical End of Tape (PEOT) | 3 |
| 4.26 Physical Recording Density | 3 |
| 4.27 Pre-recording Condition | 4 |
| 4.28 Record | 4 |
| 4.29 Reference Recording Field | 4 |

| | | |
|--------|--|----|
| 4.30 | Secondary Standard Amplitude Calibration Tape | 4 |
| 4.31 | Secondary Standard Reference Tape | 4 |
| 4.32 | Separator | 4 |
| 4.33 | Standard Reference Amplitude | 4 |
| 4.34 | Tape Reference Edge | 4 |
| 4.35 | Test Recording Current | 4 |
| 4.36 | Track | 4 |
| 4.37 | Virtual End of Tape (VEOT) | 4 |
| 5. | ENVIRONMENT AND SAFETY | 5 |
| 5.1 | Testing Environment | 5 |
| 5.2 | Operating Environment | 5 |
| 5.3 | Storage Environment | 5 |
| 5.4 | Transportation | 5 |
| 5.5 | Safety | 5 |
| 5.6 | Flammability | 5 |
| | SECTION II - REQUIREMENTS FOR THE CASE | 6 |
| 6. | DIMENSIONAL AND MECHANICAL CHARACTERISTICS OF THE CASE | 6 |
| 6.1 | General | 6 |
| 6.2 | Overall Dimensions (Fig. 6 and 7) | 6 |
| 6.3 | Loading Grip (Fig. 6) | 7 |
| 6.4 | Holding Areas (Fig. 6) | 7 |
| 6.5 | Notches of the Lid (Fig. 5 and 8) | 7 |
| 6.6 | Lid Dimensions (Fig. 6 to 8) | 8 |
| 6.7 | Optical Detection of the Beginning and End of Tape (Fig. 9 and 12) | 8 |
| 6.8 | Bottom Side (Fig. 10 and 11) | 9 |
| 6.8.1 | Locking mechanism of the slider | 9 |
| 6.8.2 | Access holes | 10 |
| 6.8.3 | Recognition, Sub-datums, and Write-inhibit Holes | 10 |
| 6.8.4 | Datum Holes | 12 |
| 6.8.5 | Access room for tape guides | 12 |
| 6.8.6 | Holes for accessing the hubs | 12 |
| 6.8.7 | Internal structure of the lower half (Fig. 12) | 13 |
| 6.8.8 | Light path (Fig. 12) | 14 |
| 6.8.9 | Support Areas (Fig. 13) | 14 |
| 6.8.10 | Datum Areas (Fig. 13) | 14 |
| 6.8.11 | Relationship between Support and Datum Areas and Reference Plane Z (Fig. 14) | 14 |
| 6.9 | Hubs (Fig. 15, 16) | 15 |
| 6.10 | Leader and Trailer Attachment | 15 |
| 6.11 | Interface between the Hubs and the Drive Spindles (Fig. 17) | 15 |
| 6.12 | Opening of the Lid (Fig. 18) | 15 |
| 6.13 | Release of the Hub Locking Mechanism (Fig. 19, 20) | 16 |
| 6.14 | Label Areas (Fig. 21, 22) | 16 |

| | |
|---|----|
| SECTION III - REQUIREMENTS FOR THE UNRECORDED TAPE | 27 |
| 7. MECHANICAL, PHYSICAL AND DIMENSIONAL CHARACTERISTICS OF THE TAPE | 27 |
| 7.1 Materials | 27 |
| 7.2 Tape Length | 27 |
| 7.2.1 Length of Magnetic Tape | 27 |
| 7.2.2 Length of Leader and Trailer Tapes | 27 |
| 7.3 Tape Width | 27 |
| 7.4 Discontinuities | 27 |
| 7.5 Total Thickness | 27 |
| 7.6 Longitudinal Curvature | 27 |
| 7.7 Cupping | 27 |
| 7.8 Coating Adhesion | 28 |
| 7.9 Layer-to-Layer Adhesion | 29 |
| 7.10 Tensile Strength | 29 |
| 7.10.1 Breaking Strength | 29 |
| 7.10.2 Yield Strength | 29 |
| 7.11 Residual Elongation | 29 |
| 7.12 Electrical Resistance of Coated Surfaces | 29 |
| 7.13 Light Transmittance of Tape | 30 |
| 8. MAGNETIC RECORDING CHARACTERISTICS | 30 |
| 8.1 Optimum Recording Field | 31 |
| 8.2 Signal Amplitude | 31 |
| 8.3 Resolution | 31 |
| 8.4 Overwrite | 31 |
| 8.4.1 Physical Recording Densities of 750,6 ftpmm and 3002 ftpmm | 32 |
| 8.4.2 Physical Recording Densities of 83,4 ftpmm and 1001 ftpmm | 32 |
| 8.5 Ease of Erasure | 32 |
| 8.6 Tape Quality | 32 |
| 8.6.1 Missing Pulses | 32 |
| 8.6.2 Missing Pulse Zone | 32 |
| 8.7 Signal-to-Noise Ratio (S/N) Characteristic | 32 |
| SECTION IV - REQUIREMENTS FOR AN INTERCHANGED TAPE | 33 |
| 9. DDS FORMAT | 33 |
| 9.1. General | 33 |
| 9.2. Basic Groups | 33 |
| 9.2.1 Index | 34 |
| 9.2.2 Block Access Table | 37 |

| | | |
|--------|---|----|
| 9.3. | G1 Sub-Groups | 39 |
| 9.3.1 | Randomizing - G2 Sub-Group | 40 |
| 9.3.2 | G3 Sub-Group | 40 |
| 9.3.3 | Sub-Group G4 | 42 |
| 9.3.4 | Main Data Block | 46 |
| 9.4. | Sub-Data Area | 48 |
| 9.4.1 | Pack Item No. 1 | 48 |
| 9.4.2 | Pack Item No. 2 | 49 |
| 9.4.3 | Pack Item No. 3 | 50 |
| 9.4.4 | Pack Item No. 4 | 51 |
| 9.4.5 | Pack Item No. 5 | 52 |
| 9.4.6 | Pack Item No. 6 | 53 |
| 9.4.7 | Pack Item No. 7 | 54 |
| 9.4.8 | Pack Item No. 8 | 55 |
| 9.4.9 | Sub Data Block | 55 |
| 10. | METHOD OF RECORDING | 65 |
| 10.1 | Physical Recording Density | 65 |
| 10.2 | Long-Term Average Bit Cell Length | 65 |
| 10.3 | Short-Term Average Bit Cell Length | 65 |
| 10.4 | Rate of Change | 65 |
| 10.5 | Bit Shift | 65 |
| 10.6 | Read Signal Amplitude | 65 |
| 10.7 | Maximum Recorded Levels | 65 |
| 11. | TRACK GEOMETRY | 65 |
| 11.1 | Track Configuration | 65 |
| 11.1.1 | Average Track Pitch | 66 |
| 11.1.2 | Variations of the track pitch | 66 |
| 11.1.3 | Track Width | 66 |
| 11.1.4 | Track Angle | 66 |
| 11.1.5 | Track Edge linearity | 67 |
| 11.1.6 | Track Length | 67 |
| 11.1.7 | Ideal Tape Centreline | 67 |
| 11.1.8 | Azimuth Angles | 67 |
| 12. | RECORDING OF BLOCKS ON THE TAPE | 67 |
| 12.1 | Recorded Main Data Block | 67 |
| 12.2 | Recorded Sub Data Block | 67 |
| 12.3 | Margin Blocks, Preamble Blocks and Postamble Blocks | 67 |
| 12.4 | Spacer Blocks | 67 |
| 13. | FORMAT OF A TRACK | 68 |
| 13.1 | Track Capacity | 68 |
| 13.2 | Positioning Accuracy | 68 |

| | | |
|------|---|----|
| 13.3 | Tracking Scheme | 68 |
| 14. | MAGNETIC TAPE LAYOUT | 71 |
| 14.1 | Device Area | 72 |
| 14.2 | Reference Area | 72 |
| 14.3 | Position Tolerance Band No. 1 | 72 |
| 14.4 | System Area | 72 |
| | 14.4.1 System Preamble | 72 |
| | 14.4.2 System Log | 72 |
| | 14.4.3 System Postamble | 72 |
| | 14.4.4 Position Tolerance Band No. 2 | 72 |
| | 14.4.5 Vendor Group Preamble | 73 |
| 14.5 | Data Area | 73 |
| | 14.5.1 Vendor Group | 73 |
| | 14.5.2 Recorded Data Group | 73 |
| | 14.5.3 ECC3 | 73 |
| | 14.5.4 Multiple Recorded Instances | 74 |
| | 14.5.5 Repeated Frames | 74 |
| | 14.5.6 Appending and Overwriting | 75 |
| 14.6 | EOD Area | 77 |
| 14.7 | Post-EOD Area | 77 |
| 14.8 | Early Warning Point - EWP | 77 |
| 14.9 | Initialization | 77 |
| 15. | PARTITIONED TAPE | 78 |
| 15.1 | Overall Magnetic Tape Layout | 78 |
| | 15.1.1 Device Area | 78 |
| | 15.1.2 Partition 1 | 78 |
| | 15.1.3 Partition 0 | 79 |
| 15.2 | Area-ID | 79 |
| 15.3 | System Area Pack Items No. 3 and No. 4 | 79 |
| 15.4 | Empty Partitions | 79 |
| 15.5 | Initialization of Partitioned Tapes | 80 |
| 16. | HOUSEKEEPING FRAMES | 80 |
| 16.1 | Amble Frames | 80 |
| 16.2 | System Log Frames | 80 |
| 16.3 | Tape Management Frames | 80 |
| | SECTION V - APPENDICES | 81 |
| | APPENDIX A - Measurement of the Light Transmittance of the Prisms | 83 |
| | APPENDIX B - Recognition Holes | 85 |

| | |
|---|-----|
| APPENDIX C - Means to Open the Lid | 87 |
| APPENDIX D - Measurement of Light Transmittance of Tape and Leaders | 89 |
| APPENDIX E - Measurement of Signal-to-Noise Ratio | 93 |
| APPENDIX F - Method for Determining the Nominal and the Maximum Allowable Recorded Levels | 95 |
| APPENDIX G - Representation of 8-Bit Bytes by 10-Bit Patterns | 97 |
| APPENDIX H - Measurement of Bit Shift | 103 |
| APPENDIX J - Recommendations for Transportation | 107 |
| APPENDIX K - Method of Measuring Track Edge Linearity | 109 |
| APPENDIX L - Read-After-Write | 111 |
| APPENDIX M - Example of the Content of a basic Group No. 0 | 113 |

SECTION I - GENERAL

1. SCOPE

This ECMA Standard specifies the physical and magnetic characteristics of a 3,81 mm wide magnetic tape cartridge to enable interchangeability of such cartridges. It also specifies the quality of the recorded signal, the format and the recording method, thereby allowing data interchange by means of such magnetic tape cartridges.

2. CONFORMANCE

2.1 Magnetic Tape Cartridge

A tape cartridge shall be in conformance with this Standard if it meets all mandatory requirements specified herein. The tape shall be either a Single Data Space Tape or a Partitioned Tape.

2.2 Generating System

A system generating a magnetic tape cartridge for interchange shall be entitled to claim conformance with this Standard if all recordings on the tape meet the mandatory requirements of this Standard, and if either or both methods of appending and overwriting are implemented.

In addition a claim of conformance shall state which of the following optional features are implemented and which are not:

- the performing of a Read-After-Write check and the recording of any necessary repeated frames,
- the recording of multiple representations of the same Basic Group,
- the generation of ECC3 Frames.

2.3 Receiving System

A system receiving a magnetic tape cartridge for interchange shall be entitled to claim conformance with this Standard if it is able to handle any recording made on the tape according to this Standard. In particular it shall be able:

- to recognize repeated frames and to make available to the user data and separator marks from only one of these frames,
- to recognize multiple representations of the same Basic Group and to make available to the user data and separator marks from only one of these representations,
- to recognize an ECC3 frame, and ignore it if the option specified below is not implemented,
- to update the System Log(s) if the Write-Inhibit Hole state so permits.

In addition a claim of conformance shall state whether or not the system is capable of using ECC3 check bytes in a process of error correction.

3. REFERENCES

- ECMA-129 : Safety of Information Technology Equipment (ITE)
ISO 1307 : Technical Drawings - Method of indicating Surface Texture on Drawings
ISO R 527 : Plastics - Determination of tensile properties

4. DEFINITIONS

For the purpose of this Standard, the following definitions apply.

- 4.1 Absolute Frame Number (AFN)**
A sequence number, encoded in the frame.
- 4.2 Automatic Track Finding (ATF)**
The method by which tracking is achieved.
- 4.3 Area ID**
An identifier defining the area of the tape and specifying the types of frame written.
- 4.4 Average Signal Amplitude**
The average peak-to-peak value of the output signal from the read head at the fundamental frequency of the specified physical recording density over a minimum of 7,8 mm of track, exclusive of missing pulses.
- 4.5 Azimuth**
The angular deviation, in degrees, minutes and seconds of arc, made by the mean flux transition line with the line normal to the centreline of the recorded track.
- 4.6 Back Surface**
The surface of the tape opposite to the magnetic coating which is used to record data.
- 4.7 Byte**
An ordered set of bits acted upon as a unit.
- 4.8 Cartridge**
A case containing magnetic tape stored on twin hubs.
- 4.9 Channel Bit**
A bit after 8-10 transformation.
- 4.10 Data Format ID**
An identifier specifying which data format is being used on the tape.
- 4.11 Early Warning Point (EWP)**
A point along the length of the tape at which warning is given of the approach, in the forward direction of tape motion, of the partition boundary or of the Physical End of Tape.
- 4.12 End of Data (EOD)**
The point on the tape at the end of the group which contains the last user data.
- 4.13 Error Correcting Code (ECC)**
A mathematical algorithm yielding check bytes used for the detection and correction of errors.
- 4.14 Flux Transition Position**
That point which exhibits maximum free-space flux density normal to the tape surface.
- 4.15 Flux Transition Spacing**
The distance along a track between successive flux transitions.

4.16 Frame

A pair of adjacent tracks with azimuths of opposite polarity, in which the track with the positive azimuth precedes that with the negative azimuth.

4.17 Housekeeping Frame

A frame which contains no user data and which is identified as such by the values in the data fields therein.

4.18 Logical Beginning of Tape (LBOT)

The point along the length of the tape where a recording of data for interchange commences.

4.19 Magnetic Tape

A tape which will accept and retain the magnetic signals intended for input, output and storage purposes on computers and associated equipment.

4.20 Master Standard Amplitude Calibration Tape

A pre-recorded tape on which the standard signal amplitudes have been recorded in the tracks of positive azimuth, 23,0 μm wide, at nominal track pitch, on an AC-erased tape.

NOTE 1

The tape includes recordings made at 83,4 ftpmm, 333,6 ftpmm, 500,4 ftpmm, 1001 ftpmm and 1501 ftpmm.

NOTE 2

The Master Standard Amplitude Calibration Tape has been established by Sony Corporation.

4.21 Master Standard Reference Tape

A tape selected as the standard for Reference Recording Field, Signal Amplitude, Resolution, Overwrite and Signal-to-Noise Ratio.

NOTE 3

The Master Standard Reference Tape has been established by Sony Corporation.

4.22 Optimum Recording Field

In the plot of Average Signal Amplitude against the recording field at the physical recording density of 3002 ftpmm, the field that causes the maximum Average Signal Amplitude.

4.23 Partition Boundary

The point along the length of a magnetic tape at which Partition 1 ends and Partition 0 commences.

4.24 Physical Beginning of Tape (PBOT)

The point where the leader tape is joined to the magnetic tape.

4.25 Physical End of Tape (PEOT)

The point where the trailer tape is joined to the magnetic tape.

4.26 Physical Recording Density

The number of recorded flux transitions per unit length of track, expressed in flux transitions per millimetre (ftpmm).

4.27 Pre-recording Condition

The recording levels above which a tape intended for interchange shall not previously have been recorded.

4.28 Record

Related data treated as a unit of information.

4.29 Reference Recording Field

The Optimum Recording Field of the Master Standard Reference Tape.

4.30 Secondary Standard Amplitude Calibration Tape

A tape pre-recorded as defined for the Master Standard Amplitude Calibration Tape; the outputs are known and stated in relation to those of the Master Standard Amplitude Calibration Tape.

NOTE 4

Secondary Standard Amplitude Calibration Tapes can be ordered from Sony Corporation, Audio Device Business Department, Component Marketing Group, 4-10-18, Takanawa, Minato-ku, Tokyo 108, Japan, under Part Number TY-7000G until the year 2000. It is intended that these be used for calibrating tertiary references tapes for use in routine calibration.

4.31 Secondary Standard Reference Tape

A tape the performance of which is known and stated in relation to that of the Master Standard Reference Tape.

NOTE 5

Secondary Standard Reference Tapes can be ordered from Sony Corporation, Major Customer Division, Magnetic Products Group, 6-7-35, Kitashinagawa, Shinagawa-ku, Tokyo 141, Japan, under Part Number RSD 1079 until the year 2000. It is intended that these be used for calibrating tertiary reference tapes for use in routine calibration.

4.32 Separator

A record containing no user data, which is used to separate data.

4.33 Standard Reference Amplitude

The Average Signal Amplitude from the tracks of positive azimuth of the Master Standard Amplitude Calibration Tape at a specified physical recording density.

4.34 Tape Reference Edge

The bottom edge of the tape when viewing the recording side of the tape, with the PEOT to the observer's right.

4.35 Test Recording Current

The current that produces the Reference Recording Field.

4.36 Track

A diagonally positioned area on the tape along which a series of magnetic signals may be recorded.

4.37 Virtual End of Tape (VEOT)

The point along the length of the magnetic tape within Partition 1 which defines the end of the part of Partition 1 which is usable for recording data for interchange.

5. ENVIRONMENT AND SAFETY

Unless otherwise stated, the conditions specified below refer to the ambient conditions of the air immediately surrounding the cartridge.

5.1 Testing Environment

Unless otherwise stated tests and measurements made on the tape cartridge to check the requirements of this Standard shall be carried out under the following conditions:

Temperature : 23 °C ± 2 °C

Relative Humidity : 40% to 60%

Conditioning period
before testing : 24 hours

5.2 Operating Environment

Cartridges used for data interchange shall be capable of operating under the following conditions:

Temperature : 5 °C to 45 °C

Relative Humidity : 20% to 80%

Wet Bulb Temperature : 26 °C max.

There shall be no deposit of moisture on or in the cartridge.

Conditioning before operating:

If a cartridge has been exposed during storage and/or transportation to a condition outside the above values, before use the cartridge shall be conditioned in the operating environment for a time at least equal to the period during which it has been out of the operating environment, up to a maximum of 24 hours.

NOTE 6

Rapid variations of temperature should be avoided.

5.3 Storage Environment

For long-term or archival storage of cartridges the following conditions shall be observed:

Temperature : 5 °C to 32 °C

Relative Humidity : 20% to 60%

Wet Bulb Temperature : 26 °C max.

The stray magnetic field at any point on the tape shall not exceed 4000 A/m. There shall be no deposit of moisture on or in the cartridge.

5.4 Transportation

Recommended limits for the environment to which a cartridge may be subjected during transportation, and the precautions to be taken to minimise the possibility of damage, are provided in Appendix J.

5.5 Safety

The cartridge and its components shall satisfy the requirements of ECMA-129.

5.6 Flammability

The cartridge and its components shall be made from materials, which if ignited from a match flame, do not continue to burn in a still carbon dioxide atmosphere.

SECTION II - REQUIREMENTS FOR THE CASE

6. DIMENSIONAL AND MECHANICAL CHARACTERISTICS OF THE CASE

6.1 General

The case of the cartridge shall comprise:

- an upper half,
- a lower half,
- a slider movably mounted on the lower half,
- a lid pivotally mounted on the upper half.

In the drawings, using third angle projection, an embodiment of the cartridge is shown as an example.

- Fig. 1 is a perspective view of the cartridge seen from top.
- Fig. 2 is a perspective view of the cartridge seen from bottom.
- Fig. 3 is a partial view of the rear side.
- Fig. 4 is a schematic view showing the Reference Planes X, Y and Z.
- Fig. 5 shows the front side.
- Fig. 6 shows the top side with the lid in closed position.
- Fig. 7 shows the left side.
- Fig. 8 shows the top side with the lid in open position.
- Fig. 9 shows the left side with the lid in open position.
- Fig. 10 shows the bottom side with the lid and the slider in closed position.
- Fig. 11 shows the bottom side with the lid and the slider in open position.
- Fig. 12 is a view from the top of the inside of the lower half with the upper half removed.
- Fig. 13 is a view of the bottom half with the lid and the slider in open position.
- Fig. 14 is a view of the left side with the lid and the slider in open position.
- Fig. 15 is a top view of a hub.
- Fig. 16 is a side view of a hub with partial cross-section.
- Fig. 17 is a partial cross-section through a hub and both halves of the case showing the interface with the drive spindle.
- Fig. 18 shows at a larger scale the lid in the open position.
- Fig. 19, 20 show at a larger scale the functional relationship between the lid and the locking mechanism of the hubs.
- Fig. 21, 22 show the label areas on the top and the rear side.

The dimensions are referred to three orthogonal Reference Planes X, Y and Z (Fig. 4).

6.2 Overall Dimensions (Fig. 6 and 7)

The overall dimensions of the case with the lid in the closed position shall be:

$$L_1 = 73,0 \text{ mm} \pm 0,3 \text{ mm}$$

$$L_2 = 54,0 \text{ mm} \pm 0,3 \text{ mm}$$

$$L_3 = 10,5 \text{ mm} \pm 0,2 \text{ mm}$$

The edges formed by the rear side and the left and right sides shall be rounded off with a radius

$$R_1 = 1,5 \text{ mm max.}$$

The two edges of the lid shall be rounded off with a radius

$$R_2 = 0,5 \text{ mm max.}$$

6.3 Loading Grip (Fig. 6)

The top side shall have a loading grip for loading and positioning the cartridge into the drive. The position and dimensions of the loading grip shall be

$$L_4 = 25,5 \text{ mm} \pm 0,3 \text{ mm}$$

$$L_5 = 10 \text{ mm min.}$$

$$L_6 = 5,0 \text{ mm} \pm 0,2 \text{ mm}$$

$$L_7 = 2,0 \text{ mm min.}$$

The depth of the loading grip below the surface of the top side shall be

$$0,5 \text{ mm} \left\{ \begin{array}{l} + 0,2 \text{ mm} \\ - 0,0 \text{ mm} \end{array} \right.$$

6.4 Holding Areas (Fig. 6)

The two areas shown shaded in Fig. 6 shall be the areas along which the cartridge shall be held down when inserted in the drive. Their positions and dimensions shall be

$$L_8 = 6,0 \text{ mm} \pm 0,1 \text{ mm}$$

$$L_9 = 5,0 \text{ mm} \pm 0,1 \text{ mm}$$

6.5 Notches of the Lid (Fig. 5 and 8)

The lid shall have two pairs of notches.

The first pair of notches, the slider lock release notches, allows elements of the drive to release the locking mechanism of the slider. The positions and dimensions of these notches shall be

$$L_{10} = 0,4 \text{ mm max.}$$

$$L_{11} = 3,0 \text{ mm min.}$$

$$L_{12} = 1,2 \text{ mm} \pm 0,1 \text{ mm}$$

$$L_{13} = 49,8 \text{ mm} \pm 0,2 \text{ mm}$$

The second pair of notches, the slider movement notches, allows elements of the drive to move the slider from the closed to the open position (see also 6.8.1). The positions and dimensions of these notches shall be

$$L_{11} = 3,0 \text{ mm min.}$$

$$L_{14} = 0,9 \text{ mm min.}$$

$$L_{15} = 7,5 \text{ mm} \pm 0,1 \text{ mm}$$

$$L_{16} = 36,00 \text{ mm} \pm 0,15 \text{ mm}$$

6.6 Lid Dimensions (Fig. 6 to 8)

The lid is shown in the closed position in Fig. 6 and 7. Its dimensions shall be

$$L_{17} = 1,2 \text{ mm} \pm 0,1 \text{ mm}$$

$$L_{18} = 6,8 \text{ mm} \pm 0,4 \text{ mm}$$

$$L_{19} = 1,1 \text{ mm} \pm 0,1 \text{ mm}$$

$$L_{20} = 2,0 \text{ mm} \pm 0,1 \text{ mm}$$

$$L_{21} = 6,4 \text{ mm} \pm 0,2 \text{ mm}$$

$$L_{22} = 1,5 \text{ mm} \pm 0,1 \text{ mm}$$

$$R_3 = 6,8 \text{ mm} \pm 0,4 \text{ mm}$$

The lid shall have a chamfer at 45° with a length of

$$L_{23} = 1,50 \text{ mm} \pm 0,10 \text{ mm}$$

There shall be a dimensional relationship between the height L_{24} shown in Fig. 7, which includes the slider and the upper half, and the height L_{25} of the lid. When a vertical force of 1 N is exerted on the upper half the following condition shall be met.

$$L_{24} = 10,5 \text{ mm} \pm 0,2 \text{ mm}$$

$$L_{25} \leq L_{24}$$

When no force is exerted

$$L_{24} = 10,9 \text{ mm max}$$

In Fig. 8 the lid is shown in the open position. The distance from the front edge of the lid to the rear side shall be

$$L_{26} = 55,5 \text{ mm} \pm 0,3 \text{ mm.}$$

6.7 Optical Detection of the Beginning and End of Tape (Fig. 9 and 12)

Means for the optical detection of the beginning and end of tape shall be provided. These shall consist of a pair of windows on the left and right sides of the case (see also Fig. 18). The design of these windows allows this detection for two different drive designs:

- either a light source and a detector are provided in the drive on each side of the cartridge, in which case the light enters the case through the upper windows, falls on a prism (see section A-A) mounted inside the case, which reflects this light so that it goes through the tape and falls on the detector through the lower window; the light transmittance of the prism shall be greater than 50% of that of a reference prism when measured as specified in Appendix A,
- or, the light of a light source within the drive passes through the tape from inside the cartridge and falls through the lower windows onto the detectors placed on each side of the case.

The positions and dimensions of these windows allow the cartridge to be used with drives implementing either system, they shall be

$$L_{27} = 6,20 \text{ mm} \pm 0,10 \text{ mm}$$

$$L_{28} = 7,65 \text{ mm} \pm 0,10 \text{ mm}$$

$$L_{29} = 1,50 \text{ mm} \left\{ \begin{array}{l} + 0,20 \text{ mm} \\ - 0,00 \text{ mm} \end{array} \right.$$

$$L_{30} = 3,9 \text{ mm} \pm 0,1 \text{ mm}$$

$$L_{31} = 1,8 \text{ mm} \pm 0,1 \text{ mm}$$

$$L_{32} = 7,0 \text{ mm} \pm 0,2 \text{ mm}$$

$$L_{33} = 2,5 \text{ mm min.}$$

Dimension L_{32} specifies the position of the rear edge of the windows relative to Reference Plane Y. Dimension L_{33} shall be measured relative to this rear edge.

6.8 Bottom Side (Fig. 10 and 11)

The bottom side is shown in Fig. 10 with the lid and the slider in the closed position and in Fig. 11 with both in the open position.

The dimension L_{34} of the bottom half, L_{35} of the slider and L_{36} of the lid shall satisfy the following conditions

$$L_{34} = 73,0 \text{ mm} \pm 0,3 \text{ mm}$$

$$L_{35} \leq L_{34}$$

$$L_{36} \leq L_{34}$$

6.8.1 Locking mechanism of the slider

The cartridge shall have a locking mechanism for the slider which locks it in the closed and open positions. The design of this mechanism is not specified by this Standard, except for the different forces acting on the slider, and for its detent.

The slider shall be spring-loaded by a spring holding it in the closed position when it is unlocked. The force required to operate the slider shall not exceed 2 N.

The slider shall have two grooves with an opening at each end. The detent of the locking mechanism shall protrude through these openings so as to hold the slider in both open and closed positions. The detent shown in cross-section C-C is only an example of implementation.

The grooves are parallel to Reference Plane Z and aligned with the slider lock release notches of the lid. The positions and dimensions of the grooves and of the openings for the detent of the locking mechanism when the slider is in the closed position shall be

$$L_{37} = 1,2 \text{ mm} \pm 0,1 \text{ mm}$$

$$L_{38} = 49,8 \text{ mm} \pm 0,2 \text{ mm}$$

$$L_{39} = 10,0 \text{ mm} \pm 0,1 \text{ mm}$$

$$L_{40} = 2,0 \text{ mm} \left\{ \begin{array}{l} + 0,5 \text{ mm} \\ - 0,0 \text{ mm} \end{array} \right.$$

$$L_{41} = 3,0 \text{ mm min.}$$

$$L_{42} = 1,5 \text{ mm min.}$$

$$L_{43} = 0,8 \text{ mm} \pm 0,1 \text{ mm}$$

$$L_{44} = 0,8 \text{ mm} \left\{ \begin{array}{l} + 0,5 \text{ mm} \\ - 0,1 \text{ mm} \end{array} \right.$$

$$\lambda = 45^\circ \text{ min.}$$

$$L_{45} = 0,65 \text{ mm} \pm 0,05 \text{ mm}$$

The position and dimensions of the openings for the detent when the slider is held in the open position are determined by L_{39} , L_{40} , L_{43} and L_{44} .

In the closed position of the slider, the maximum force to be exerted on the detent in a direction perpendicular to Reference Plane Z and over a stroke of 0,65 mm shall be 0,5 N max.

In the open position of the slider the holding force shall be 0,3 N min.

6.8.2 Access holes

The slider shall have two circular access holes (see section B-B) which, in the open position of the slider, allow penetration of the drive spindles into the hubs. The diameters of these access holes shall be

$$d_1 = 10,0 \text{ mm} \pm 0,2 \text{ mm}$$

$$d_2 = 12,0 \text{ mm max.}$$

6.8.3 Recognition, Sub-datums, and Write-inhibit Holes

The bottom half shall have a number of holes on an edge at its rear. This edge shall be defined by

$$L_{46} = 45,2 \text{ mm} \pm 0,2 \text{ mm}$$

$$L_{47} = 49,2 \text{ mm} \pm 0,2 \text{ mm}$$

The centres of these holes lie on a line perpendicular to Reference Plane Y at a distance from Reference Plane X of

$$L_{48} = 47,2 \text{ mm} \pm 0,2 \text{ mm}$$

6.8.3.1 Recognition Holes

There shall be four Recognition Holes numbered from 1 to 4 as shown in Fig. 10. Their positions and dimensions shall be

$$d_3 = 2,5 \text{ mm} \pm 0,1 \text{ mm}$$

$$L_{49} = 1,0 \text{ mm} \pm 0,1 \text{ mm}$$

$$L_{50} = 56,0 \text{ mm} \pm 0,3 \text{ mm}$$

$$L_{51} = 4,0 \text{ mm} \pm 0,1 \text{ mm}$$

$$L_{52} = 1,0 \text{ mm} \pm 0,1 \text{ mm}$$

$$L_{53} = 3,0 \text{ mm min.}$$

All Recognition Holes shall have the cross-section shown in cross-section F-F in Fig. 11 for Recognition Hole No. 1.

One of the two cross-sections F-F shows a Recognition Hole closed by means of a plug, the other shows it with the plug punched out. These plugs shall withstand an applied force of 0,5 N max. without being punched out.

This Standard prescribes the following states of these holes:

Recognition Holes No. 1 to No. 3 shall be closed

Recognition Hole No. 4 may be open or closed

Other combinations of the states of the Recognition Holes 1, 2 and 3 are reserved for future applications (see Appendix B).

6.8.3.2 Write-inhibit Hole

The position and dimensions of the Write-inhibit Hole shall be

$$d_4 = 2,5 \text{ mm} \pm 0,1 \text{ mm}$$

$$L_{50} = 56,0 \text{ mm} \pm 0,3 \text{ mm}$$

When the Write-inhibit Hole is open recording on the tape is inhibited, when it is closed recording is enabled.

The Write-inhibit Hole shall have the cross-section shown in cross-section F-F in Fig. 11 for Recognition Hole No. 1. One of the two cross-sections F-F shows the hole closed by means of a plug, the other shows it with the hole punched out. These plugs shall withstand an applied force of 0,5 N max without being punched out.

The case may have a movable element allowing the Write-inhibit Hole to be opened and closed. If present, this element shall be such that the state of Write-inhibit Hole is visible (see Fig. 3 as an example). Such an element shall neither be broken nor moved by a force smaller than 0,5 N.

Regardless of whether a plug or a movable element is used to select the open and closed states of the Write-inhibit Hole, the following dimensions from cross-section F-F shall define the closed and open states, respectively.

$$L_{52} = 1,0 \text{ mm} \pm 0,1 \text{ mm}$$

$$L_{53} = 3,0 \text{ mm min.}$$

6.8.3.3 Sub-datum holes

These holes are used to position the cartridge in the drive. Their position and dimensions shall be as follows.

- The hole seen below the Write-inhibit Hole in Fig. 11 shall have an elongated form and the same cross-section E-E as shown for the other hole.

$$L_{54} = 45,5 \text{ mm} \pm 0,2 \text{ mm}$$

$$L_{55} = 3,5 \text{ mm} \left\{ \begin{array}{l} + 0,1 \text{ mm} \\ - 0,0 \text{ mm} \end{array} \right.$$

$$L_{56} = 2,50 \text{ mm} \left\{ \begin{array}{l} + 0,05 \text{ mm} \\ - 0,00 \text{ mm} \end{array} \right.$$

- The position and dimensions of the other Sub-datum Hole shall be

$$d_5 = 2,50 \text{ mm} \left\{ \begin{array}{l} + 0,05 \text{ mm} \\ - 0,00 \text{ mm} \end{array} \right.$$

$$d_6 = 1,0 \text{ mm min.}$$

$$L_{58} = 2,0 \text{ mm min.}$$

$$L_{59} = 1,2 \text{ mm min.}$$

The edge of both Sub-datum Holes shall have a chamfer of

$$0,2 \text{ mm} \pm 0,1 \text{ mm.}$$

6.8.4 Datum Holes

The lower half has two Datum Holes also used to position the cartridge within the drive. One of them has an elongated form, the other is circular. Cross-section D-D shown for the latter also applies to the former. Their positions and dimensions shall be

$$L_{60} = 51,0 \text{ mm} \pm 0,1 \text{ mm}$$

$$L_{61} = 2,80 \text{ mm} \quad \left\{ \begin{array}{l} + 0,05 \text{ mm} \\ - 0,00 \text{ mm} \end{array} \right.$$

$$L_{62} = 3,5 \text{ mm} \quad \left\{ \begin{array}{l} + 0,1 \text{ mm} \\ - 0,0 \text{ mm} \end{array} \right.$$

$$L_{63} = 3,0 \text{ mm min.}$$

$$d_7 = 2,80 \text{ mm} \quad \left\{ \begin{array}{l} + 0,05 \text{ mm} \\ - 0,00 \text{ mm} \end{array} \right.$$

The upper edge of both Datum Holes shall have a chamfer of $0,2 \text{ mm} \pm 0,1 \text{ mm}$.

6.8.5 Access room for tape guides

When the cartridge is inserted into the drive, tape guides in the drive pull out the tape toward the heads of the drive. The shape and dimensions of the access room provided by the cartridge for these tape guides shall be (see also 6.8.7.5):

$$L_{64} = 3,1 \text{ mm max.}$$

$$L_{65} = 5,6 \text{ mm min.}$$

$$L_{66} = 11,0 \text{ mm max.}$$

$$L_{67} = 7,0 \text{ mm} \quad \left\{ \begin{array}{l} + 0,7 \text{ mm} \\ - 0,0 \text{ mm} \end{array} \right.$$

$$L_{68} = 6,7 \text{ mm min.}$$

$$\alpha = 45^\circ \pm 1^\circ$$

$$L_{69} = 47,9 \text{ mm min.}$$

$$L_{70} = 3,30 \text{ mm} \quad \left\{ \begin{array}{l} + 0,00 \text{ mm} \\ - 0,15 \text{ mm} \end{array} \right.$$

6.8.6 Holes for accessing the hubs

The lower half has two holes through which the spindles of the drive can access the hubs when the slider is in the open position. The positions and dimensions of these holes shall be

$$d_8 = 9,0 \text{ mm} \pm 0,1 \text{ mm}$$

$$L_{71} = 29,00 \text{ mm} \pm 0,15 \text{ mm}$$

$$L_{72} = 10,5 \text{ mm} \pm 0,1 \text{ mm}$$

$$L_{73} = 30,0 \text{ mm} \pm 0,1 \text{ mm}$$

6.8.7 Internal structure of the lower half (Fig. 12)

In Fig. 12 the different elements of the inside of the lower half are shown. There shall be a locking mechanism for the hubs to prevent them from rotating when the lid is in the closed position. The design of this locking mechanism is not specified by this Standard, thus it is not shown in Fig. 12. Locking and unlocking of the hubs shall depend upon the position of the lid as specified in 6.13.

6.8.7.1 Diameter of the wound tape

The diameter of the tape wound on a hub shall be

$$d_9 = 36,5 \text{ mm max.}$$

6.8.7.2 Tape wind

The magnetic surface of the tape shall face outwards.

6.8.7.3 Tape motion

The forward direction of tape motion is from the left side of the cartridge to its right side (see Fig. 1 and 2).

6.8.7.4 Guide posts

The tape shall pass around two guide posts in the cartridge, the axes of which are perpendicular to Reference Plane Z and pass through the centres of the Datum Holes. The positions and dimensions of these guide posts shall be:

- their positions are determined by those of the centres of the Datum Holes,
- their cross-section shall be circular with a radius

$$R_4 = 3,0 \text{ mm} \pm 0,1 \text{ mm}$$

over an angle of 180° in clockwise sense starting at angle

$$\rho = 45^\circ \pm 1^\circ$$

- their cross-section over the other half of 180° is not specified by this Standard.

6.8.7.5 Position of the tape in the case (view A)

When the tape runs from one guide post to the other it shall remain between two planes parallel to Reference Plane Z. The distance of these planes to Reference Plane Z shall be

$$L_{74} = 1,4 \text{ mm max.}$$

$$L_{75} = 6,4 \text{ mm min.}$$

The position of the tape centreline shall be

$$L_{76} = 3,9 \text{ mm} \pm 0,1 \text{ mm}$$

The height of the access room specified in 6.8.5 for the tape guides shall be

$$L_{77} = 8,0 \text{ mm} \left\{ \begin{array}{l} + 0,6 \text{ mm} \\ - 0,0 \text{ mm} \end{array} \right.$$

6.8.7.6 Tape path zone

When the cartridge is inserted into the drive, the tape is pulled outside the case by tape guides as mentioned above. It is then no longer in contact with the guide posts. The tape path zone of the case is the zone in which the tape must be able to move freely. This zone is defined by

$$L_{78} = 5,5 \text{ mm} \pm 0,1 \text{ mm}$$

$$L_{79} = 56,5 \text{ mm} \pm 0,3 \text{ mm}$$

$$L_{80} = 8,0 \text{ mm} \pm 0,2 \text{ mm}$$

6.8.8 Light path (Fig. 12)

As specified in 6.7 there is a lower window in the right and left sides of the case through which light having passed through the tape can pass and fall onto a detector of the drive. In order to ensure that the corresponding light path is not obstructed by inner elements of the case, its configuration in this zone shall be as follows.

The position and dimensions of the lower window are specified by L_{30} and L_{31} (see Fig. 9). The dimensions

$$L_{81} = 1,5 \text{ mm max.}$$

$$L_{82} = 5,0 \text{ mm min.}$$

ensure that no elements of the case obstruct the light path.

6.8.9 Support Areas (Fig. 13)

When the cartridge is inserted into the drive and held in position by forces perpendicular to Reference Plane Z acting on the Holding Areas (see 6.4), it shall be supported by three Supporting Areas A', B', C' on its bottom side, shown shaded in Fig. 13. The position and dimensions of these areas shall be as follows.

- Areas A' and B' are not specified by this Standard because they depend on parts of the lower half for which this Standard does not specify requirements.

- Area C' shall be defined by

$$L_{83} = 1,0 \text{ mm} \pm 0,1 \text{ mm}$$

$$L_{84} = 49,0 \text{ mm} \pm 0,3 \text{ mm}$$

6.8.10 Datum Areas (Fig. 13)

There shall be two annular Datum Surfaces A and B and one circular such surface C. All three Datum Areas shall lie in Reference Plane Z. Their position and dimensions shall be:

- Datum Area A shall be centred on the intersection of Reference Planes X, Y and Z, its inner diameter shall be d_7 (see 6.8.4 and Fig. 11), its outer diameter shall be

$$d_{10} = 5,0 \text{ mm} \pm 0,1 \text{ mm}$$

- Datum Area B shall be centred on the intersection of Reference Planes X and Z at a distance L_{60} (see 6.4.8 and Fig. 11) from the centre of Datum Area A. Its inner dimensions shall be L_{61} and L_{62} , its outer diameter shall be d_{10} .

- Datum Area C shall be centred on a point defined by

$$L_{85} = 42,0 \text{ mm} \pm 0,3 \text{ mm}$$

$$L_{86} = 25,5 \text{ mm} \pm 0,3 \text{ mm}$$

Its diameter shall be d_{10} .

6.8.11 Relationship between Support and Datum Areas and Reference Plane Z (Fig. 14)

Support Area A' shall be coplanar with Datum Area A within 0,1 mm.

Support Area B' shall be coplanar with Datum Area B within 0,1 mm.

Support Area C' shall be parallel to Reference Plane Z within 0,1 mm. It shall be at a distance

$$L_{87} = 1,10 \text{ mm} \pm 0,05 \text{ mm}$$

from Reference Plane Z.

6.9 Hubs (Fig. 15, 16)

The dimensions of the hubs shall be

$$d_{11} = 6,60 \text{ mm} \left\{ \begin{array}{l} + 0,08 \text{ mm} \\ - 0,00 \text{ mm} \end{array} \right.$$

$$d_{12} = 8,8 \text{ mm} \left\{ \begin{array}{l} + 0,0 \text{ mm} \\ - 0,1 \text{ mm} \end{array} \right.$$

$$d_{13} = 15,00 \text{ mm} \pm 0,05 \text{ mm}$$

$$\beta = 60^\circ \pm 1^\circ$$

$$\gamma = 45^\circ \pm 1^\circ$$

$$L_{88} = 2,5 \text{ mm} \left\{ \begin{array}{l} + 0,1 \text{ mm} \\ - 0,0 \text{ mm} \end{array} \right.$$

$$L_{89} = 2,60 \text{ mm} \left\{ \begin{array}{l} + 0,20 \text{ mm} \\ - 0,00 \text{ mm} \end{array} \right.$$

The two cylindrical surfaces with diameters d_{11} and d_{13} shall be co-axial within 0,05 mm.

The torque necessary to rotate the hub with a partially or fully wound tape shall be 0,0002 N.m max.

6.10 Leader and Trailer Attachment

The material of the leader and trailer and their attachment to the hubs and to the tape shall be such that when subjected to a force of 5 N max. they will neither break nor be detached from the hubs or the tape.

6.11 Interface between the Hubs and the Drive Spindles (Fig. 17)

The interface between the hubs and the spindles, shown in Fig. 17 in cross-section, is specified in terms of the following relationships:

$$d_{15} - d_{14} = \left\{ \begin{array}{l} 1,2 \text{ mm max.} \\ 1,0 \text{ mm min.} \end{array} \right.$$

$$L_{91} - L_{90} = 1,3 \text{ mm max.}$$

NOTE 7

It is expected that the top of the drive spindle will not penetrate within the hub beyond a distance $L_d = 7,65 \text{ mm max.}$ above Reference Plane Z.

6.12 Opening of the Lid (Fig. 18)

When the lid is opened its lower front edge moves along an arc of a circle with radius

$$R_5 = 9,6 \text{ mm} \pm 0,2 \text{ mm}$$

The centre of rotation is defined by L_{17} and L_{21} . The end position of the lid, i.e. when it is fully open, is defined by

$$L_{92} = 10,9 \text{ mm} \pm 0,2 \text{ mm}$$

$$L_{93} = 0,3 \text{ mm} \pm 0,1 \text{ mm}$$

$$L_{94} = 6,3 \text{ mm} \pm 0,2 \text{ mm}$$

The force F required to open the lid shall not exceed 1,2 N. It shall be applied at a distance

$$L_{95} = 5,0 \text{ mm} \pm 0,1 \text{ mm}$$

measured parallel to Reference Plane Z from the centre of rotation of radius R_5 (see also Appendix C).

6.13 Release of the Hub Locking Mechanism (Fig. 19, 20)

As mentioned in 6.8.7 the design of the locking mechanism for the hubs is not specified by this Standard, except that it shall be connected to the lid so that the hubs are locked or unlocked as a function of the angular position of the lid.

When the lid rotates from the closed to the open position (clockwise as seen in Fig. 19, 20) the hubs shall remain locked as long as the lid has not reached the position defined by:

$$L_{96} = 7,0 \text{ mm}$$

$$L_{97} = 7,5 \text{ mm} \pm 0,2 \text{ mm}$$

as shown in Fig. 19.

The hubs shall be completely released as soon as the lid has reached the position defined by:

$$L_{98} = 10,3 \text{ mm}$$

$$L_{99} = 6,6 \text{ mm} \pm 0,2 \text{ mm}$$

as shown in Fig. 20.

6.14 Label Areas (Fig. 21, 22)

On the top and rear sides of the case there shall be an area on which adhesive labels can be placed. The dimensions of these areas shall be

$$L_{100} = 28,9 \text{ mm max.}$$

$$L_{101} = 5,2 \text{ mm min.}$$

$$L_{102} = 43,4 \text{ mm max.}$$

$$L_{103} = 39,4 \text{ mm max.}$$

$$L_{104} = 8,8 \text{ mm max.}$$

$$R_6 = 0,5 \text{ mm min.}$$

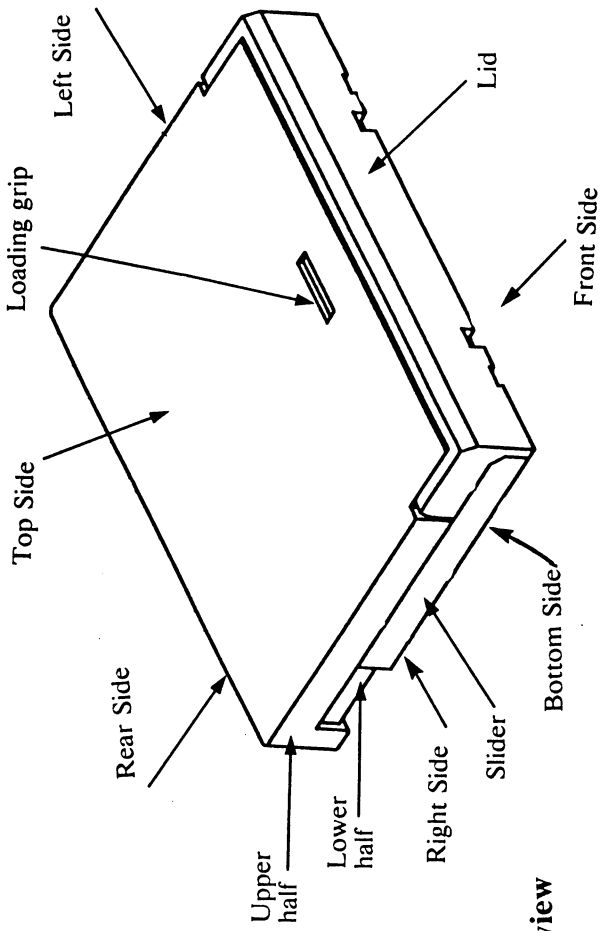


Fig. 1 - Top view

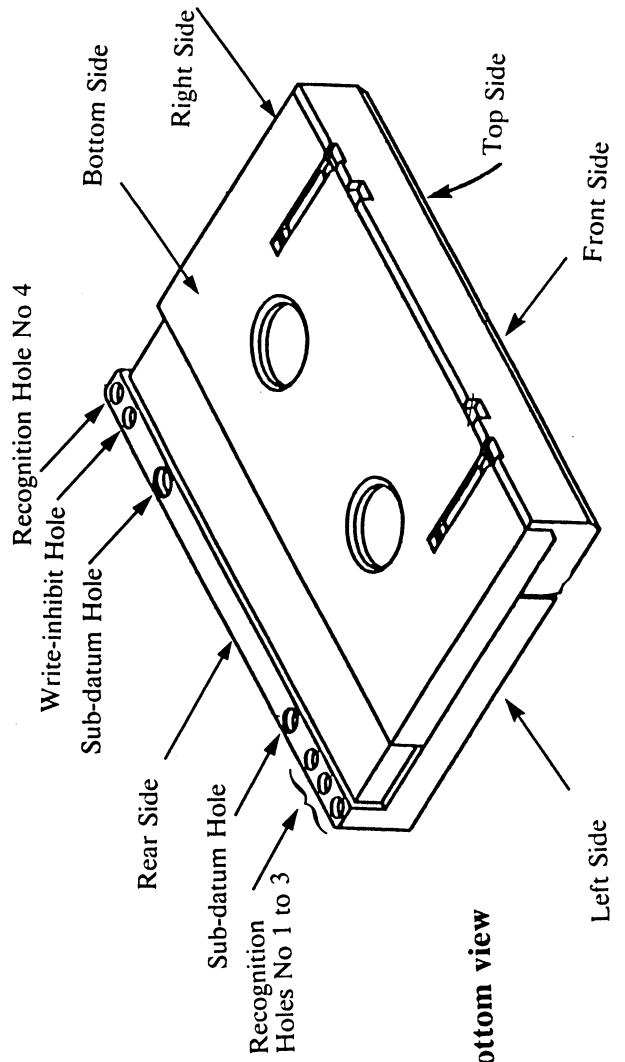


Fig. 2 - Bottom view

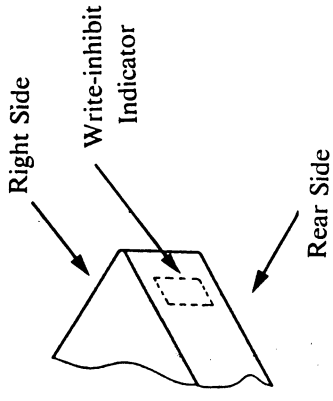


Fig. 3 - Partial view of the rear side

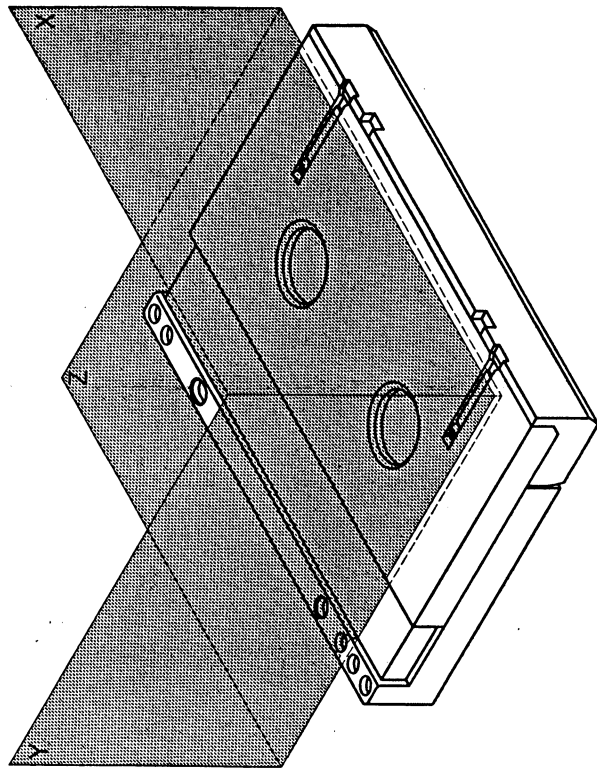


Fig. 4 - Reference Planes X, Y, Z

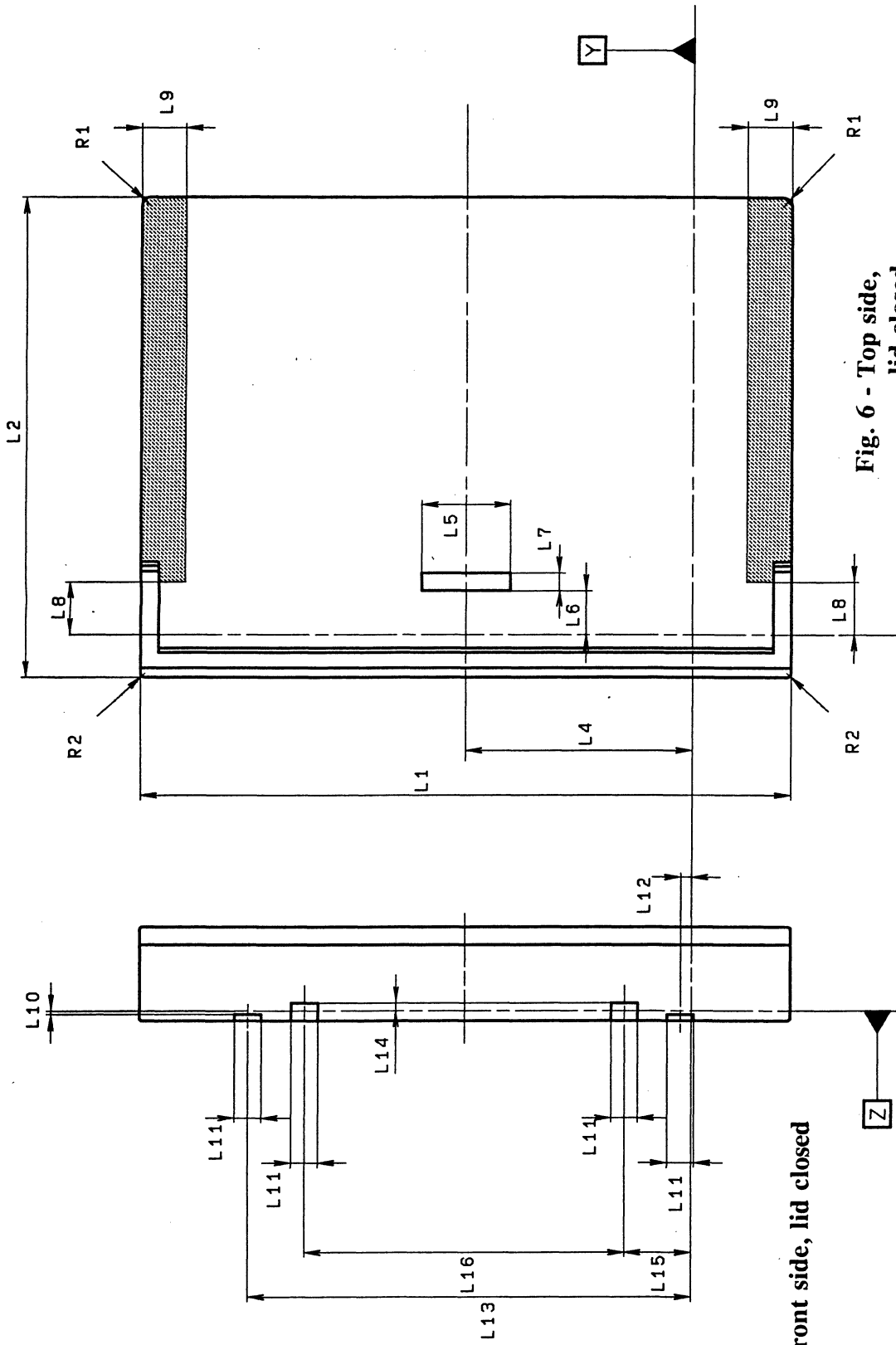


Fig. 5 - Front side, lid closed

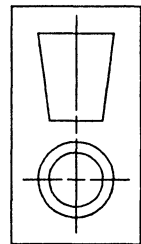


Fig. 6 - Top side, lid closed

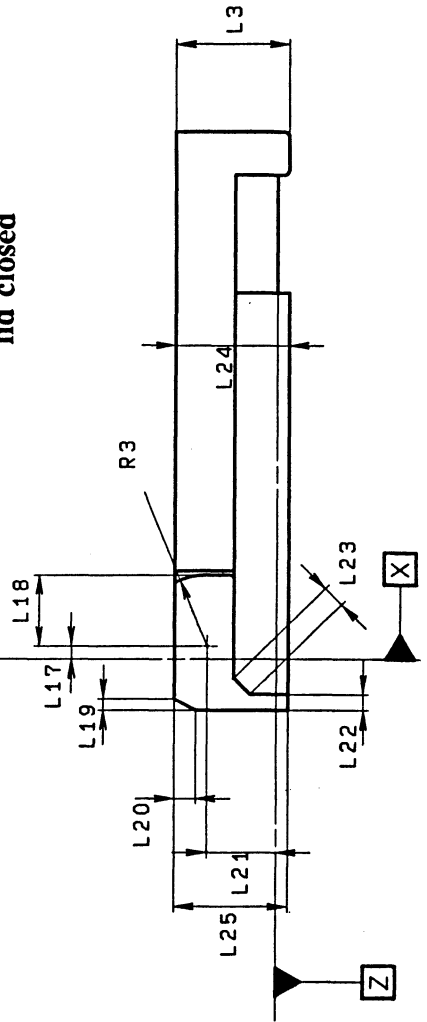


Fig. 7 - Left side, lid closed

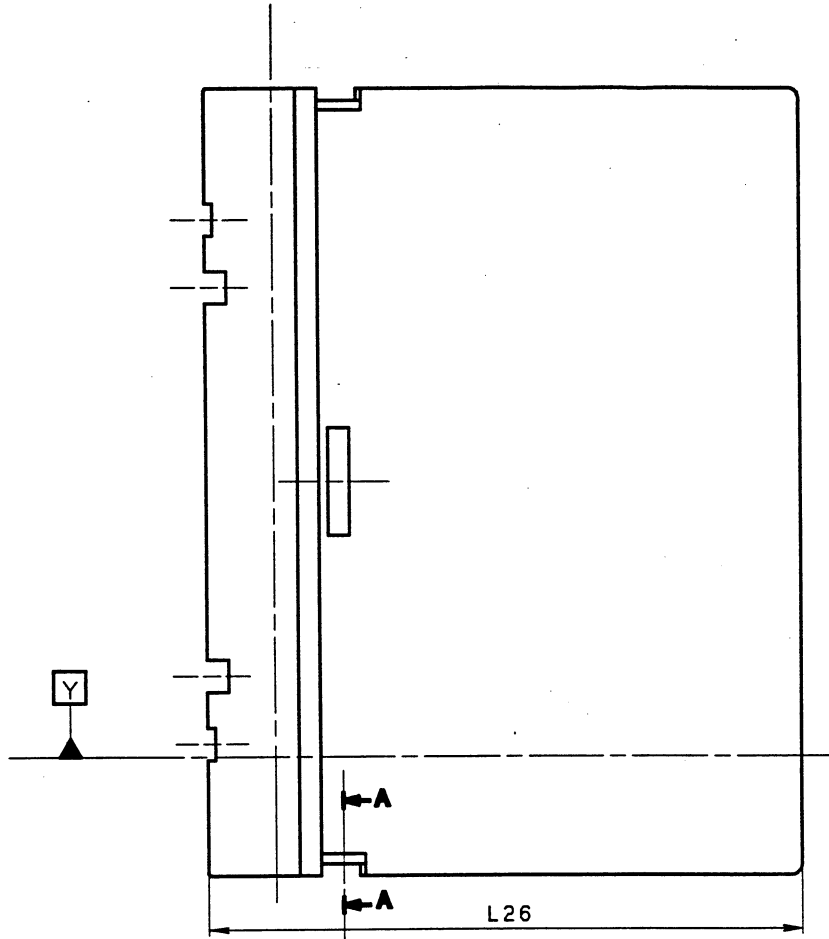
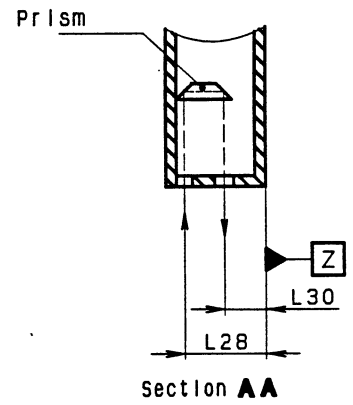


Fig. 8 - Top side,
lid open



section AA

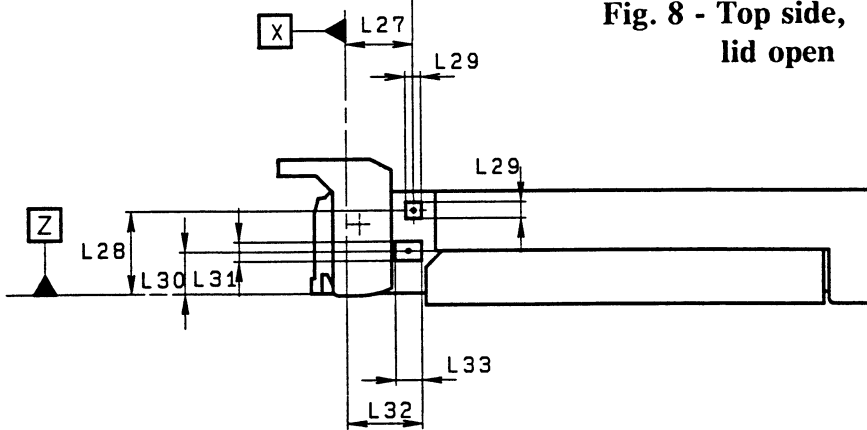
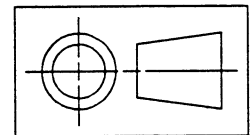


Fig. 9 - Left side,
lid open



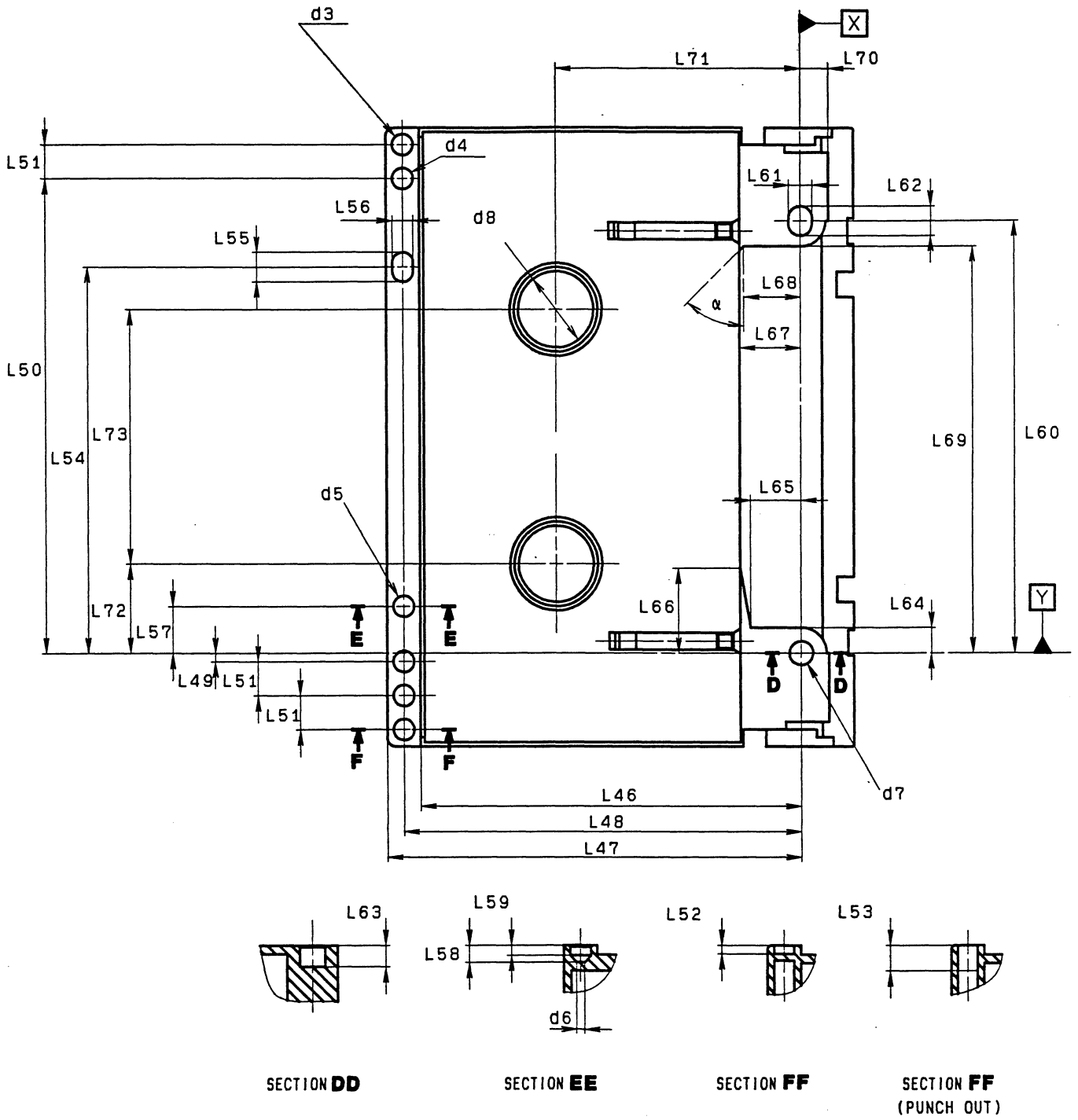


Fig. 11 - Bottom side, lid open

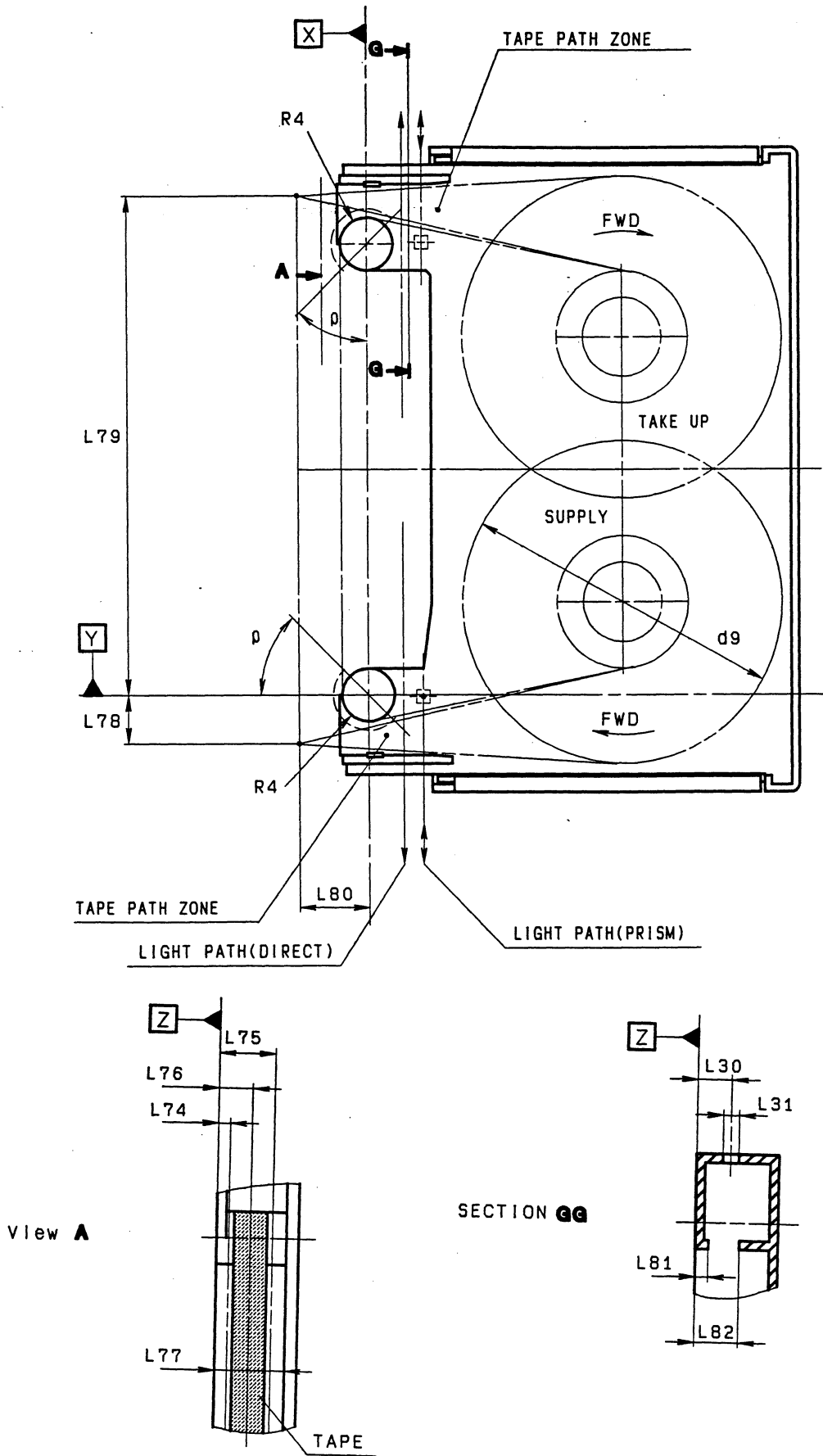


Fig. 12 - Inside view of the lower half

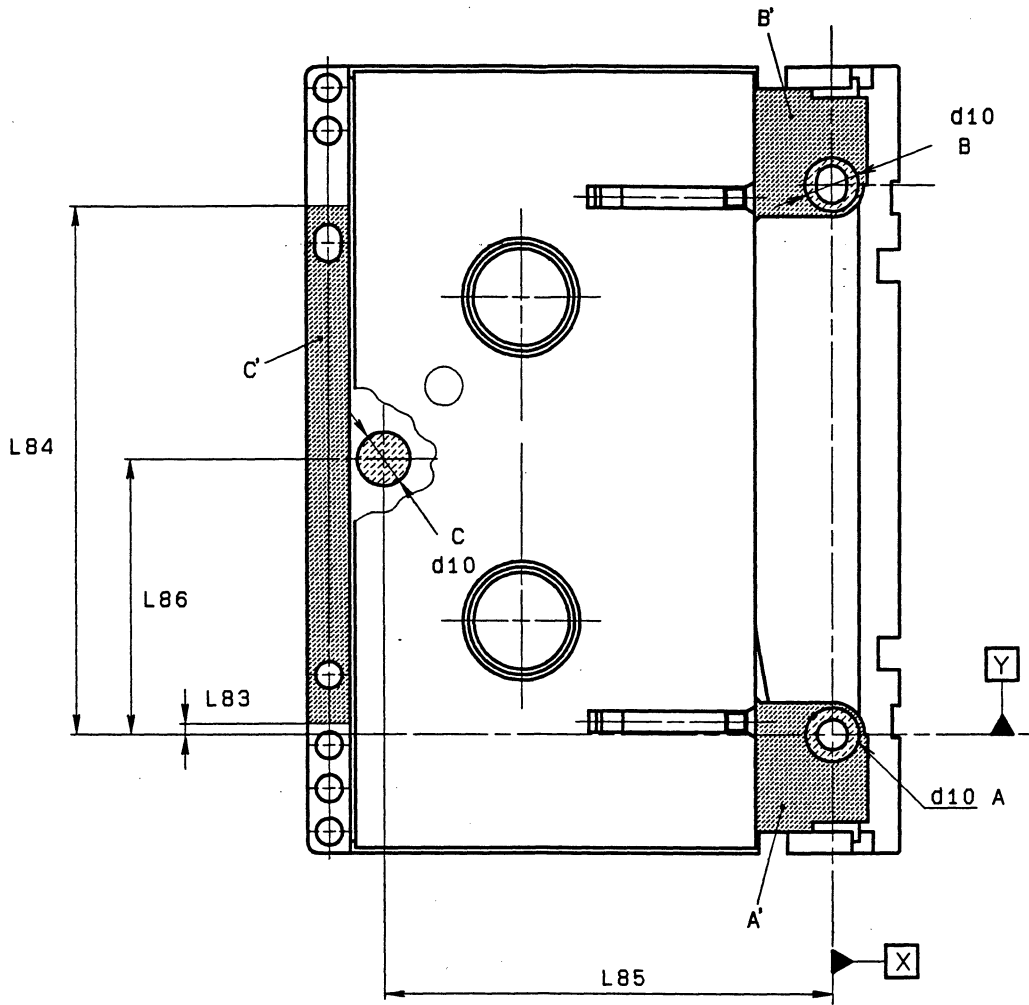


Fig. 13 - Bottom side, lid and slider in open position

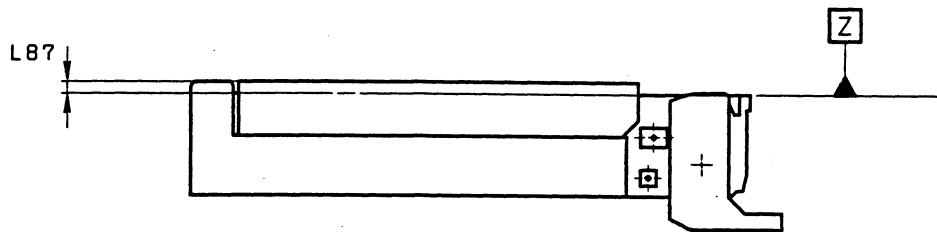


Fig. 14 - Left side, lid open

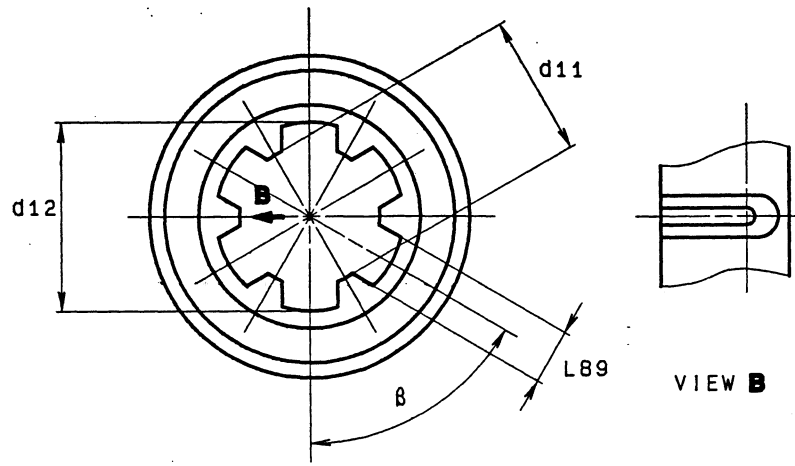


Fig. 15 - Top view of a hub

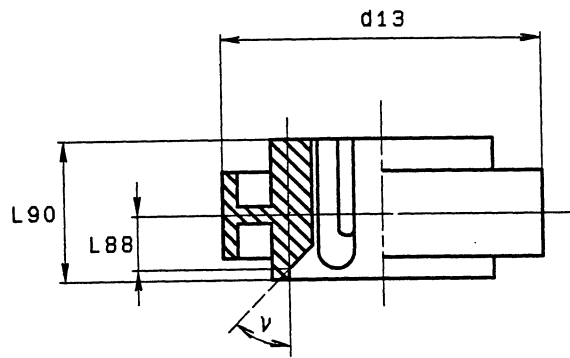


Fig. 16 - Side view of a hub

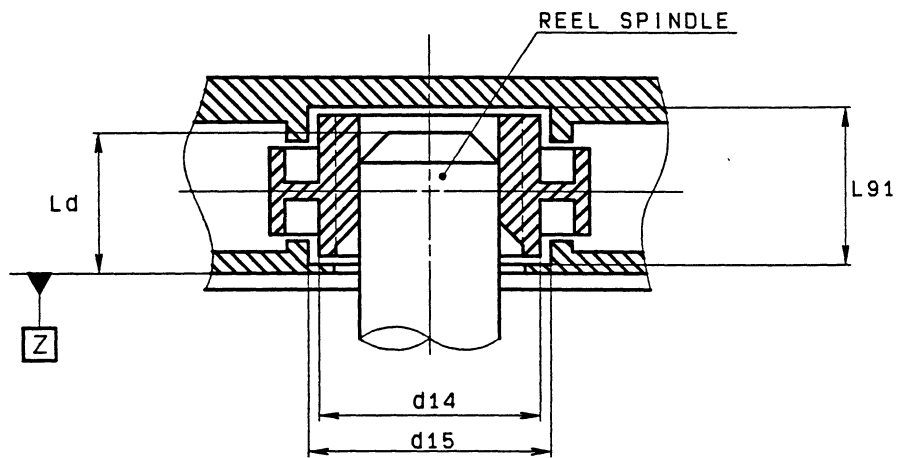


Fig. 17 - Interface with the drive spindle

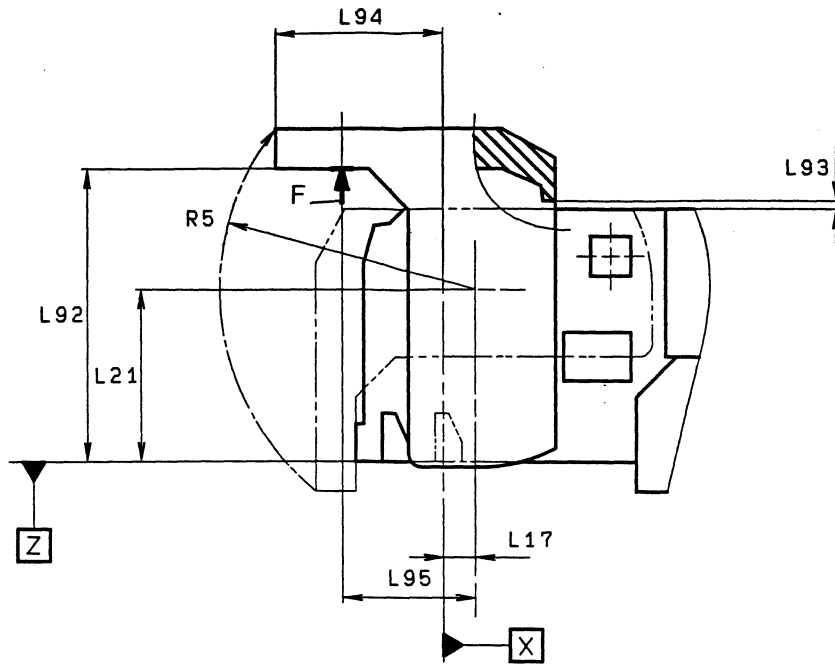


Fig. 18 - Lid in completely open position

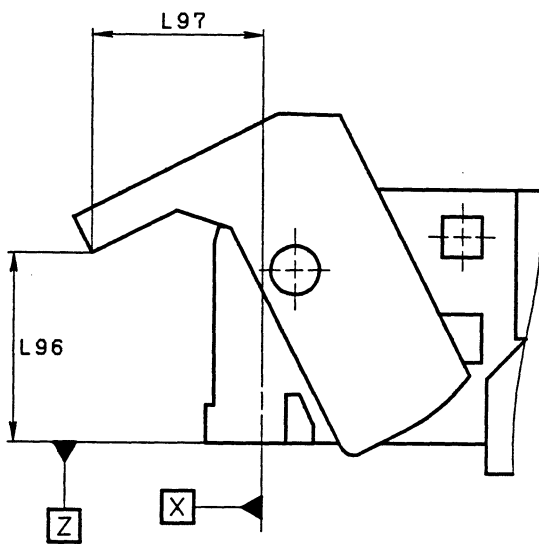


Fig. 19 - Extreme position of the lid for which the hubs are still locked

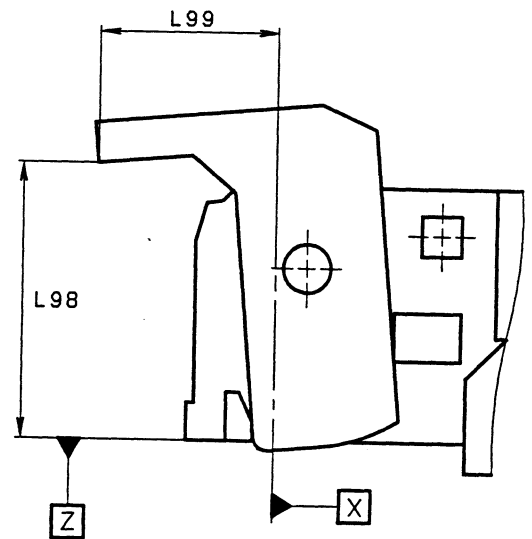


Fig. 20 - Minimum position of the lid for which the hubs are completely unlocked

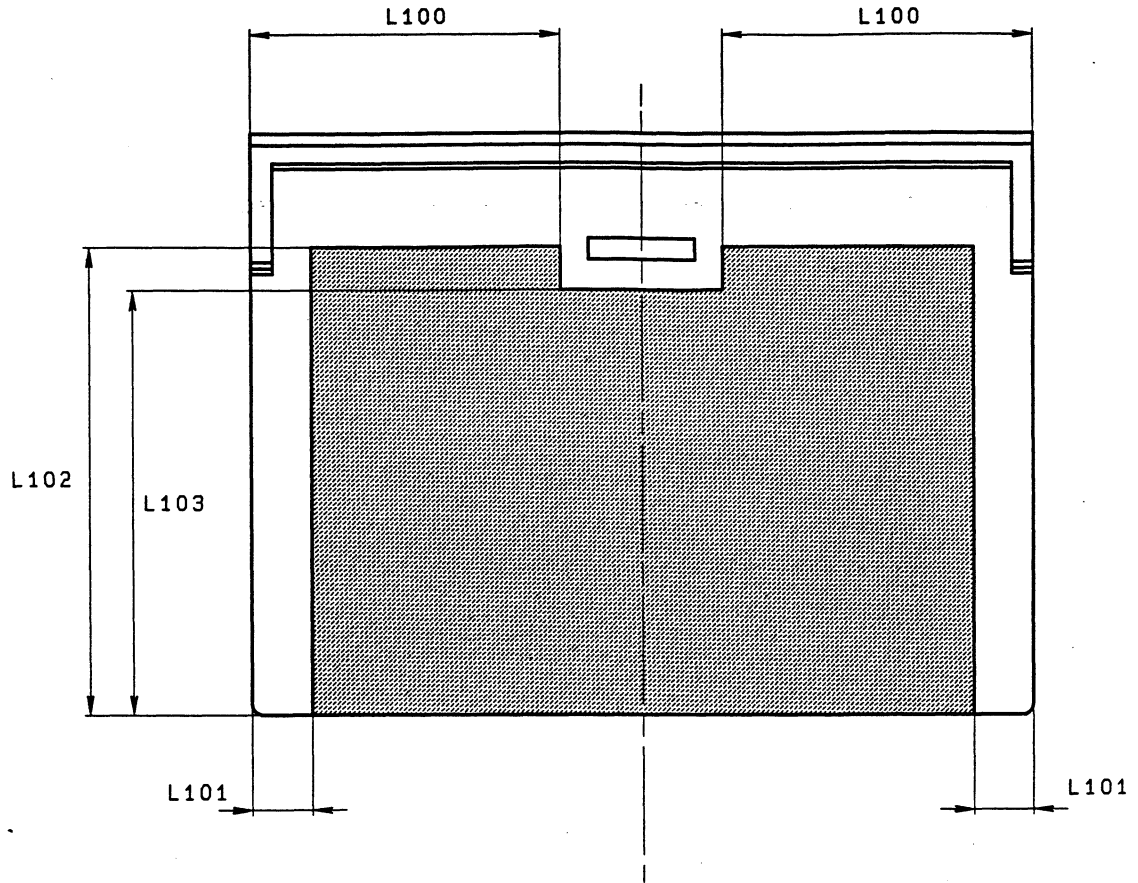


Fig. 21 - Top side, label area

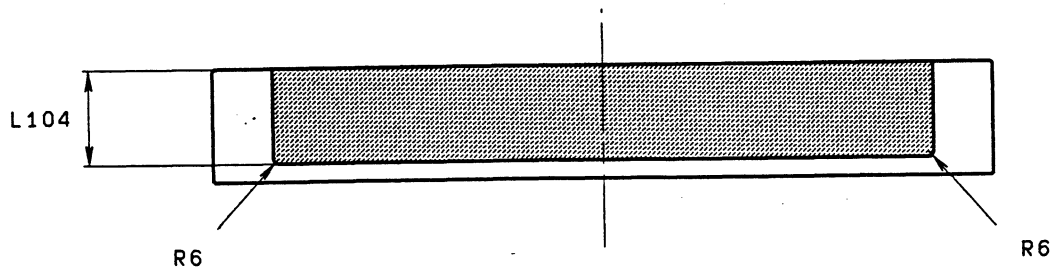


Fig. 22 - Rear side, label area

SECTION III - REQUIREMENTS FOR THE UNRECORDED TAPE

7. MECHANICAL, PHYSICAL AND DIMENSIONAL CHARACTERISTICS OF THE TAPE

7.1 Materials

The recordable area of the tape shall consist of a base material (oriented polyethylene terephthalate or its equivalent) coated on one side with a strong yet flexible layer of ferromagnetic material. The back surface may be coated.

The leader and trailer tapes shall consist of a translucent length of the same or equivalent base material without the ferromagnetic coating or the back coating.

7.2 Tape Length

7.2.1 Length of Magnetic Tape

The length of tape between PBOT and PEOT shall be 3,0 m minimum and 60,5 m maximum.

7.2.2 Length of Leader and Trailer Tapes

The length of the leader and trailer tapes shall be 60 mm \pm 5 mm.

7.3 Tape Width

The width of the magnetic tape and of the leader and trailer tapes shall be

$$3,81 \text{ mm} \left\{ \begin{array}{l} + 0,00 \text{ mm} \\ - 0,02 \text{ mm} \end{array} \right.$$

The width shall be measured across the tape from edge to edge when the tape is under a tension of 0,18 N maximum.

7.4 Discontinuities

Between PBOT and PEOT there shall be no discontinuities such as those produced by tape splicing or perforations.

7.5 Total Thickness

The total thickness of the magnetic tape at any point shall be 13 μm \pm 1 μm .

7.6 Longitudinal Curvature

The radius of curvature of the edge of the tape shall not be less than 33 m.

Procedure

Allow a 1 m length of tape to unroll and assume its natural curvature on a flat smooth surface. Measure the deviation from a 1 m chord. The deviation shall not be greater than 3,8 mm. This deviation corresponds to the minimum radius of curvature of 33 m if measured over an arc of a circle.

7.7 Cupping

The departure across the width of tape from a flat surface shall not exceed 0,5 mm.

Procedure

Cut a $1,0 \text{ m} \pm 0,1 \text{ m}$ length of tape. Condition it for a minimum of 3 hours in the test environment by hanging it so that the coated surface is freely exposed to the test environment. From the centre portion of the conditioned tape cut a test piece of 25 mm length. Stand the test piece on its end in a cylinder which is at least 25 mm high with an inside diameter of $4,1 \text{ mm} \pm 0,2 \text{ mm}$. With the cylinder standing on an optical comparator measure the cupping by aligning the edges of the test piece to the reticle and determining the distance from the aligned edges to the corresponding surface of the test piece at its centre.

7.8 Coating Adhesion

The force required to peel any part of the coating from the tape base material shall not be less than 0,05 N.

Procedure

- i) Take a test piece of the tape approximately 380 mm long and scribe a line through the recording coating across the width of the tape 125 mm from one end.
- ii) Using a double-sided pressure sensitive tape, attach the full width of the test piece to a smooth metal plate, with the recording surface facing the plate, as shown in the figure below.
- iii) Fold the test piece over 180° , attach the metal plate and the free end of the test piece to the jaws of a universal testing machine and set the speed of the jaw separation to 254 mm per min.
- iv) Note the force at which any part of the coating first separates from the base material. If this is less than 0,05 N, the test has failed. If the test piece peels away from the double-sided pressure sensitive tape before the force exceeds 0,05 N, an alternative type of double-sided pressure sensitive tape shall be used.
- v) If the back surface of the tape is coated, repeat i) to iv) for the back coating.

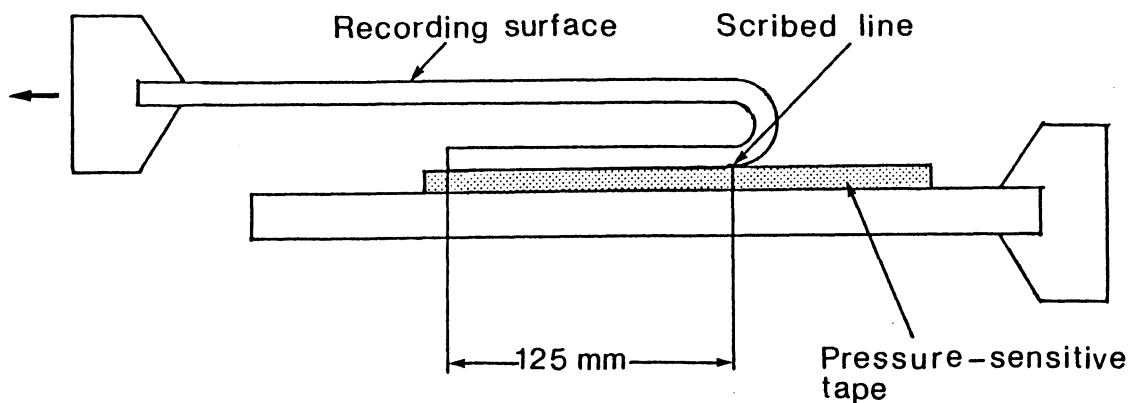


Fig. 23 - Setup for measuring coating adhesion

7.9 Layer-to-Layer Adhesion

Procedure

Attach one end of a test piece of magnetic tape of length 1 m to the surface of a glass tube of diameter 36 mm.

Wind the tape on to the tube at a tension of 1,1 N.

Store the wound test piece in a temperature of $45\text{ °C} \pm 3\text{ °C}$ and a relative humidity of 80% for 4 hours.

Store for a further 24 hours in the Testing Environment.

Apply a force of 0,1 N to the free end of the test piece and allow it to unwind slowly.

Requirement

There shall be no tendency for the test piece to stick or for the coating to peel.

7.10 Tensile Strength

Measurements shall be made in accordance with ISO / R 527. The length of the test piece shall be 200 mm. The rate of elongation for all tensile tests shall be 100 mm/minute - R 527, Rate D.

7.10.1 Breaking Strength

Load the test piece until the breaking point is reached. The force required to reach that point is the breaking strength of the tape.

Requirement

The breaking strength shall be greater than, or equal to, 9 N.

7.10.2 Yield Strength

The yield strength is the force required to produce a 3% elongation of the tape.

Requirement

The yield strength shall be greater than 1,4 N.

7.11 Residual Elongation

Procedure

Measure the original length of a test piece of approximately 1 m with an applied tensile force of less than 0,05 N.

Apply an additional force of 1,5 N for 3 minutes.

Remove the additional force and measure the length of the test piece after a further 3 minutes.

Requirement

The residual elongation, expressed as a percentage of the original length, shall be less than 0,03%.

7.12 Electrical Resistance of Coated Surfaces

Requirement

The electrical resistance of the recording surface of the magnetic tape, measured on any square area of tape, shall be within the ranges:

$10^5\ \Omega$ to $5 \times 10^8\ \Omega$ for non-back coated tape

$10^5\ \Omega$ to $5 \times 10^{12}\ \Omega$ for back-coated tape

The electrical resistance of the back-coating, if present, measured on any square area of tape, shall be less than

$$9 \times 10^8 \Omega.$$

Procedure

Condition a test piece of tape in the Test Environment for 24 hours. Position the test piece over two 24-carat gold-plated semicircular electrodes having a radius $R = 10 \text{ mm}$ and a finish of at least N4, so that the recording surface is in contact with each electrode. The electrodes shall be placed parallel to the ground and parallel to each other and spaced $d = 3,81 \text{ mm}$ apart. Apply a force F of $0,25 \text{ N}$ to each end of the test piece. Apply a DC voltage of $100 \text{ V} \pm 10 \text{ V}$ across the electrodes and measure the resulting current flow. From this value determine the electrical resistance.

Repeat for a total of five positions along the test piece and average the five resistance readings.

For back-coated tape repeat the procedure with the back-coating in contact with the electrodes.

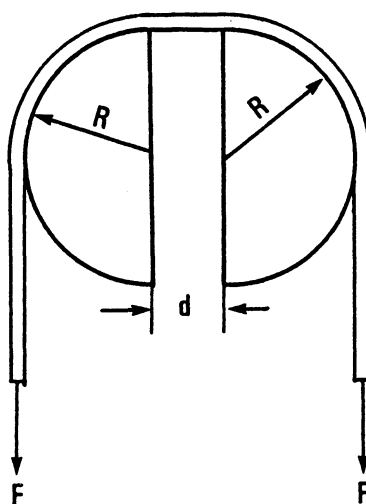


Fig. 24 - Set up for measuring the electrical resistance

When mounting the test piece ensure that no conducting paths exist between the electrodes except that through the coating under test.

NOTE 8

Particular attention should be given to keeping surfaces clean.

7.13 Light Transmittance of Tape

The light transmittance of the magnetic tape shall be less than or equal to 5%.

The light transmittance of the leader and trailer tapes shall be greater than or equal to 60%.

The method for measuring light transmittance is given in Appendix D.

8. MAGNETIC RECORDING CHARACTERISTICS

The magnetic recording characteristics shall be defined by the testing requirements given below.

When performing these tests, the output or resultant signal shall be measured on the same relative pass for both a tape calibrated to the Master Standard Reference Tape and the tape under test (read-while-write or first forward-read-pass) on the same equipment.

The following conditions shall apply to the testing of all magnetic recording characteristics, unless otherwise stated.

| | |
|------------------------------|--|
| Tape condition | : A.C. erased |
| Diameter of scanner | : 30,00 mm $\left\{ \begin{array}{l} + 0,05 \text{ mm} \\ - 0,00 \text{ mm} \end{array} \right.$ |
| Rotational speed of scanner | : 2000,0 rpm \pm 0,2 rpm |
| Tape speed | : 8,15 mm/s \pm 0,04 mm/s |
| Tape tension | : 0,10 N \pm 0,01 N, measured at the input to the scanner |
| Test tracks | : positive azimuth |
| Write gap length | : 0,25 μ m \pm 0,03 μ m |
| Physical recording densities | : 83,4 ftpmm, 750,6 ftpmm, 500,4 ftpmm, 1001 ftpmm, 1501 ftpmm, 3002 ftpmm (specified in each test). |
| Recording current | : Test Recording Current |
| Recording waveform | : Square wave |
| Read track width | : 20 μ m \pm 2 μ m |
| Write track width | : equal to, or greater than, the read track width |
| Read output level | : taken at the appropriate fundamental frequency only |

8.1 Optimum Recording Field

The Optimum Recording Field shall be between 80% and 126% of the Reference Recording Field.

Traceability to the Reference Recording Field is provided by the calibration factor supplied with each Secondary Standard Reference Tape.

8.2 Signal Amplitude

The Average Signal Amplitude at the physical recording density of 3002 ftpmm shall be between 70% and 160% of that for the Master Standard Reference Tape.

The Average Signal Amplitude at the physical recording density of 83,4 ftpmm shall be between 70% and 160% of that for the Master Standard Reference Tape.

Traceability to the Average Signal Amplitudes of the Master Standard Reference Tape is provided by the calibration factors supplied with each Secondary Standard Reference Tape.

8.3 Resolution

The ratio of the Average Signal Amplitude at the physical recording density of 3002 ftpmm to that at the physical recording density of 750,6 ftpmm shall be between 80% and 140% of the same ratio for the Master Standard Reference Tape.

For the physical recording densities of 1001 ftpmm and 83,4 ftpmm the ratio shall be between 70% and 126% of the same ratio for the Master Standard Reference Tape.

Traceability to the resolutions for the Master Standard Reference Tape is provided by the calibration factors supplied with each Secondary Standard Reference Tape.

8.4 Overwrite

Overwrite is the ratio of the Average Signal Amplitude of the residual of a low density recording after overwriting at a higher density to the Average Signal Amplitude of the original low density recording.

Traceability to the overwrite ratios for the Master Standard Reference Tape is provided by the calibration factors supplied with each Secondary Standard Reference Tape.

8.4.1 Physical Recording Densities of 750,6 ftpmm and 3002 ftpmm

8.4.1.1 Procedure

AC-erase the tape.

Record at the physical density of 750,6 ftpmm and measure the Average Signal Amplitude.

Overwrite at the physical recording density of 3002 ftpmm and measure the Average Signal Amplitude of the residual 750,6 ftpmm signal.

Repeat for the Master Standard Reference Tape.

8.4.1.2 Requirements

The ratio
$$\frac{\text{Residual Average Signal Amplitude at 750,6 ftpmm after overwriting}}{\text{Average Signal Amplitude of the original recording at 750,6 ftpmm}}$$
 shall be less than 140% of the same ratio for the Master Standard Reference Tape.

8.4.2 Physical Recording Densities of 83,4 ftpmm and 1001 ftpmm

8.4.2.1 Procedure

Repeat 8.4.1.1 for these densities.

8.4.2.2 Requirements

The ratio shall be less than 126% of the same ratio for the Master Standard Reference Tape.

8.5 Ease of Erasure

When a tape has been recorded at 750,6 ftpmm with the Test Recording Current and then passed through a longitudinal steady erasing field of 198900 A/m, any remaining signal shall not exceed 3% of the Standard Reference Amplitude for that density. The erasing field shall be reasonably uniform, for example, the field in the middle of a solenoid. This measurement shall be made with a band pass filter passing at least the first three harmonics.

8.6 Tape Quality

8.6.1 Missing Pulses

A missing pulse is a loss of read signal amplitude. A missing pulse exists when the base-to-peak read signal is 50%, or less, of half the Average Signal Amplitude for the recording density of 1501 ftpmm on the same tape.

8.6.2 Missing Pulse Zone

A missing pulse zone commences with a missing pulse and ends when 5 consecutive flux transitions are detected or when a length of 0,120 mm of track has been measured. Any further missing pulse results in a further missing pulse zone.

A missing pulse zone does not continue from one track to the next.

The missing pulse zone rate shall be less than one in $7,2 \times 10^4$ flux transitions and applies to both positive and negative azimuth tracks.

8.7 Signal-to-Noise Ratio (S/N) Characteristic

The signal-to-noise ratio is the average rms read signal amplitude divided by the average integrated rms noise amplitude, and expressed in dB.

$$S/N = 20 \log \frac{\text{Average rms read signal amplitude}}{\text{Average integrated rms noise amplitude}} \text{ dB}$$

Requirement

The S/N for the tape under test (S/N_{tape}) shall be better than -3 dB relative to the S/N for the Master Standard Reference Tape (S/N_{MSRT}) when measured according to the procedure defined in Appendix E.

Traceability to the (S/N_{MSRT}) is provided by the calibration factor supplied with each Secondary Standard Reference Tape.

SECTION IV - REQUIREMENTS FOR AN INTERCHANGED TAPE

9. DDS FORMAT

9.1. General

Data to be recorded is sent from a host computer to the tape system together with two types of separator marks which indicate the logical separation(s) of the data. The user data, separator marks and associated information are formed into groups before being recorded on the tape. Each group is recorded on a group of tracks. The part of each track in which the user data, separator marks and associated information are recorded is called the Main Zone of the track. Additional information about the contents of the group, the location of the track(s) and the contents of the track(s) is recorded in two parts of each track called Sub Zones. The two Sub Zones together constitute the Sub Data Area of the track.

In the following description all operations on the data received from the host computer, including the use of error detecting and correcting codes, are described. Then the method of recording on the tape and the tape layout itself will be described. However, because of the inherent characteristics of this format, where required, advance references to the tape layout will also be made in the course of the description of the operations on the data.

9.2. Basic Groups

The data to be recorded shall be grouped in Basic Groups of 126632 bytes. Each Basic Group shall be identified by a running number allocated consecutively starting with zero. In each Basic Group the bytes are identified by a running number from 1 to 126632.

The structure of Basic Group No. 0 is not specified by this Standard. The data for this group is generated by the tape system (see Appendix M). It is recorded as the Vendor Group (see 14.5.1).

Data and separator marks received from the host computer shall be grouped in the Basic Groups following Basic Group No. 0 starting with Basic Group No. 1. These Basic Groups shall be structured as follows.

NOTE 9

In this Standard, there are two types of separator marks which are referred to as Separator 1 and Separator 2. Some other standards, e.g. those which define an interface between a tape drive and a host computer, use the terms "file mark" and "set mark" to denote separator marks. It is recommended that Separator 1 be equated to file mark and Separator 2 be equated to set mark.

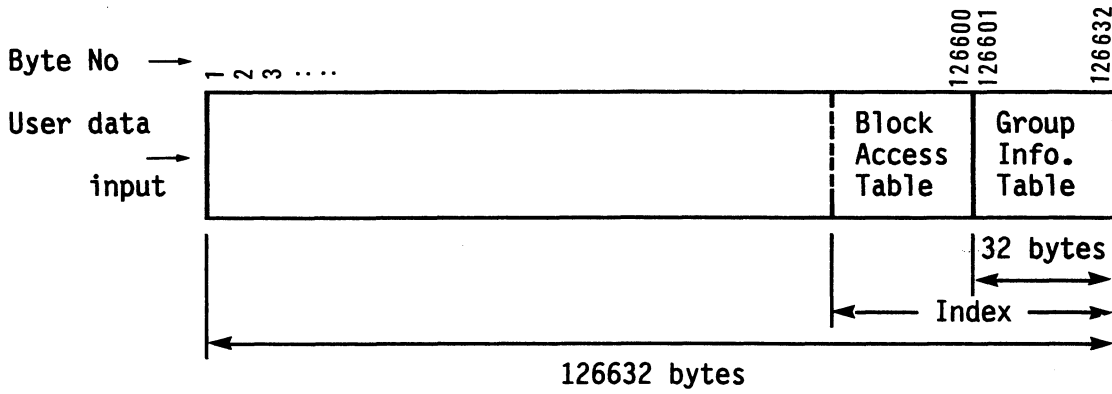


Fig. 25 - Structure of a Basic Group

The user data is progressing into the Basic Group from left to right (as seen in Fig. 25). At the same time a part of the Basic Group called Index progresses from right to left.

9.2.1 Index

The Index shall consist of two tables:

- a Group Information Table occupying the last 32 bytes of the Basic Group,
- a Block Access Table of variable length.

9.2.1.1 Group Information Table

The Group Information Table shall have the following layout.

| Byte positions | Length in bytes | Name of the field |
|-------------------|-----------------|--|
| 126632 to 126629 | 4 | <i>(Set to all ZEROs)</i> |
| 126628 and 126627 | 2 | Group Number of the Previous Separator 2 |
| 126626 and 126625 | 2 | Number of Separator 2's |
| 126624 and 126623 | 2 | Group Number of the Previous Separator 1 |
| 126622 and 126621 | 2 | Number of Separator 1's |
| 126620 and 126619 | 2 | Group Number of the Previous Record |
| 126618 and 126617 | 2 | Number of Records in the Current Basic Group |
| 126616 and 126615 | 2 | Separator 2 Count |
| 126614 and 126613 | 2 | <i>(Set to all ZEROs)</i> |
| 126612 to 126609 | 4 | Separator 1 Count |
| 126608 to 126605 | 4 | Record Count |
| 126604 and 126603 | 2 | Block Access Table Count |
| 126602 and 126601 | 2 | Group Count |

Table 1 - Group Information Table

Within each field of Table 1 the most-significant byte shall be in the lowest-numbered byte position and the least-significant byte shall be in the highest-numbered byte position.

9.2.1.1.1 Group Number of the Previous Separator 2 field

This field shall be a 2-byte field. It shall specify in binary notation the running number of the previous Basic Group which contains the last written Separator 2. If no such Basic Group exists, this number shall be zero.

9.2.1.1.2 Number of Separator 2's field

This field shall be a 2-byte field. It shall specify in binary notation the number of Separator 2's written in the current Basic Group.

9.2.1.1.3 Group Number of the Previous Separator 1 field

This field shall be a 2-byte field. It shall specify in binary notation the running number of the previous Basic Group which contains the last written Separator 1. If no such Basic Group exists, this number shall be zero.

9.2.1.1.4 Number of Separator 1's field

This field shall be a 2-byte field. It shall specify in binary notation the number of Separator 1's written in the current Basic Group.

9.2.1.1.5 Group Number of the Previous Record field

This field shall be a 2-byte field. It shall specify in binary notation the running number of the last-written previous Basic Group in which a Separator 1 or a Separator 2 or the beginning of a record containing user data occurred. If no such Basic Group exists, this running number shall be zero.

9.2.1.1.6 Number of Records in the Current Basic Group field

This field shall be a 2-byte field. It shall specify in binary notation the sum of the number of records for which there is a Total Count entry or an Entire Record entry in the Block Access Table of the current Basic Group and the number of Separator 1's and Separator 2's written in the current Basic Group.

9.2.1.1.7 Separator 2 Count field

This field shall be a 2-byte field. It shall specify in binary notation the number of Separator 2's written since the LBOT including those in the current Basic Group.

9.2.1.1.8 Separator 1 Count field

This field shall be a 4-byte field. It shall specify in binary notation the number of Separator 1's written since the LBOT including those in the current Basic Group.

9.2.1.1.9 Record Count field

This field shall be a 4-byte field. It shall specify in binary notation the number of records written since LBOT including those for which there is a Total Count entry or an Entire Record entry in the Block Access Table of the current Basic Group. Each Separator 1 and Separator 2 shall be counted as a record.

9.2.1.1.10 Block Access Table Count field

This field shall be a 2-byte field. It shall specify in binary notation the number of entries in the Block Access Table.

9.2.1.1.11 Group Count field

This field shall be a 2-byte field. It shall specify in binary notation the running number of the current Basic Group.

9.2.2 Block Access Table

The Block Access Table shall contain one or more entries for each user data record, Separator 1 and Separator 2 of the Basic Group. Records not entirely contained in the Basic Group shall also be identified by one or more entries. The first entry shall be written immediately before the Group Information Table, in byte positions 126597 to 126600. Each entry shall be a 4-byte field structured as follows.

| Entry of the Block Access Table | | | | | | | | | | |
|---------------------------------|----|----|----|----|----|----|----|----------|----------|----------|
| Flag Byte | | | | | | | | Count | | |
| 1st byte | | | | | | | | 2nd byte | 3rd byte | 4th byte |
| b8 | b7 | b6 | b5 | b4 | b3 | b2 | b1 | (msb) | | (lsb) |

Fig. 26 - Block Access Table

Depending on the setting of the Flag Byte, the 3-byte Count field shall express in binary notation a number not greater than $2^{24}-1$ as specified below. This Standard specifies seven settings of the Flag Byte. Other settings are prohibited by this Standard.

9.2.2.1 Settings of the Flag Byte

9.2.2.1.1 0000X001 : Total Count entry

This entry shall specify:

- that the record is not a Separator record,
- if this entry is preceded by a Last Part entry (see 9.2.2.1.5) it shall mean that the record starts in a previous Basic Group and ends in the current Basic Group; the Count field shall specify the total number of bytes of the record,
- if the last two entries of the Index of the previous Basic Group are a Last Part entry followed by a Skip Entry (see 9.2.2.1.7), this entry shall be the first entry of the Index of the current Basic Group; the Count field shall specify the total number of bytes of the record referred to by the Last Part entry in the Index of the previous Basic Group.

9.2.2.1.2 0000X111 : Separator Mark entry

This entry shall specify that the record is a Separator record. The Count field shall specify the number zero if the record is a Separator 1 record and the number one if the record is a Separator 2 record.

9.2.2.1.3 0100X000 : Middle Part entry

This entry shall specify that the record starts in a previous Basic Group and ends in a subsequent Basic Group. The Count field shall specify the number of bytes of that part of the record which is in the current Basic Group.

9.2.2.1.4 0100X010 : Start Part entry

This entry shall specify that the record starts in the current Basic Group and ends in a subsequent Basic Group. The Count field shall specify the number of bytes in that part of the record which is in the current Basic Group.

9.2.2.1.5 0110X000 : Last Part entry

This entry shall specify that the record starts in a previous Basic Group and ends in the current Basic Group. The Count field shall specify the number of bytes in that part of the record which is in the current Basic Group.

9.2.2.1.6 0110X011 : Entire Record entry

This entry shall specify that the record starts and ends in the current Basic Group. The Count field shall specify the number of bytes of the record.

9.2.2.1.7 1000X000 : Skip entry

There shall be a Skip entry as the last entry of the Block Access Table of each Basic Group. This entry indicates that the last byte of user data in the current Basic Group has been reached. The Count field shall specify the remaining number of bytes in the Basic Group. Thus the minimum number that can be specified by the Count field shall be the number of bytes of the Index.

9.2.2.1.8 Count fields of the Skip, Entire Record, Start Part, Middle Part and Last Part entries

The sum of the numbers specified in the Count fields of those of these entries present in the Block Access Table shall be 126632.

9.2.2.1.9 Bit b4 - AEWP

In each of the entries specified in 9.2.2.1.1 to 9.2.2.1.7 the fourth bit, the After Early Warning Point bit, is indicated as indifferent as far as the meaning of the entry is concerned. Its setting shall be as follows:

- before EWP (see 14.8 and 15.1.2.3) it shall be set to ZERO,
- after EWP it shall be set to ONE in all following entries in the Index of the current and all following Basic Groups.

9.2.2.2 Valid Sequences of Entries of the Block Access Table

The following flow chart illustrates the valid sequences of entries of the Block Access Table.

In this flow chart the term spanned record designates a record starting in one Basic Group and continuing in one or more consecutive Basic Groups.

The only valid entries in the Block Access Table of the first Basic Group are:

- Start Part entry
- Separator Mark entry
- Entire Record entry
- Skip entry.

These four entries are also the only valid ones after a Total Count entry in the Block Access Table of any Basic Group. A special case occurs when the record finishes in a Basic Group but because insufficient space remains available in the Index of that Basic Group, the Total Count entry is recorded in the Index of the following Basic Group.

Only the valid settings of the Flag Byte to exit from each state are shown. Any other settings are invalid.

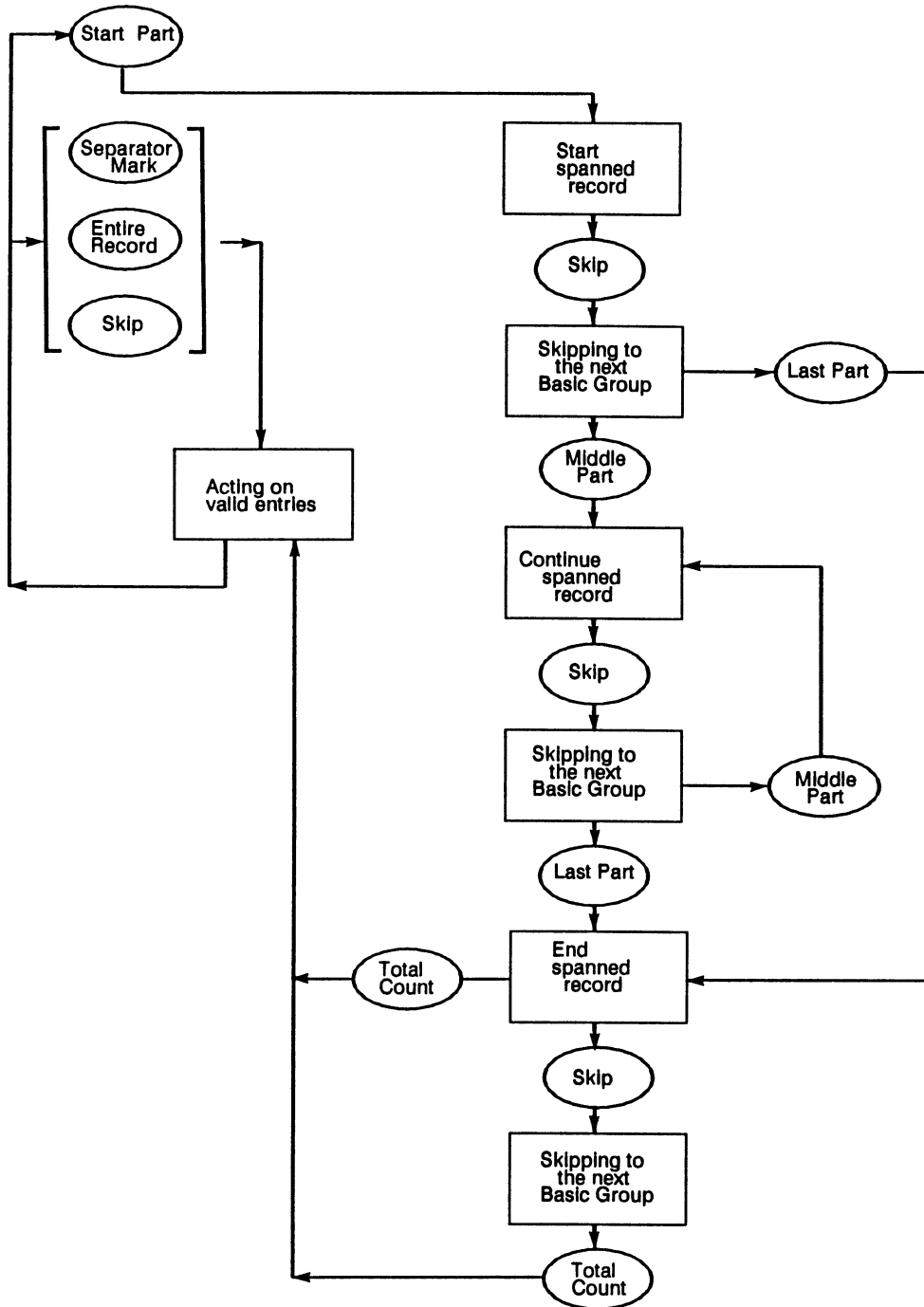


Table 2 - Valid Sequences of Entries in the Block Access Table

9.3. G1 Sub-Groups

When a Basic Group has been completed, it shall be split into 22 G1 Sub-Groups of 5756 bytes numbered from 0 to 5755.

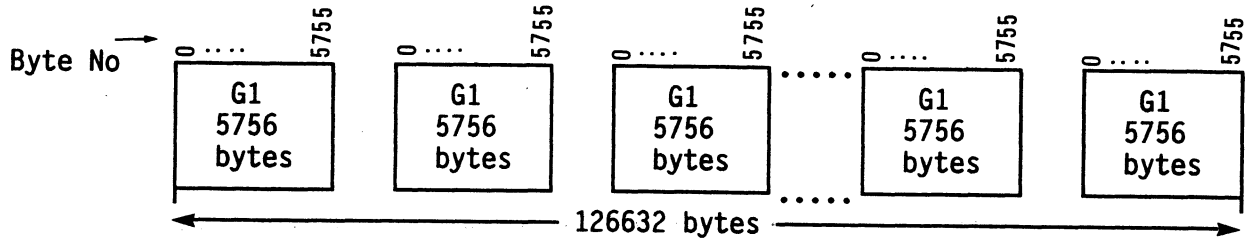


Fig. 27 - G1 Sub-Groups

9.3.1 Randomizing - G2 Sub-Group

The bytes of each G1 Sub-Group shall be submitted to an Exclusive Or operation together with a sequence of bits which is the output of the shift register shown in Fig. 28. Before each G1 Sub-Group, the shift register shall be set as shown.

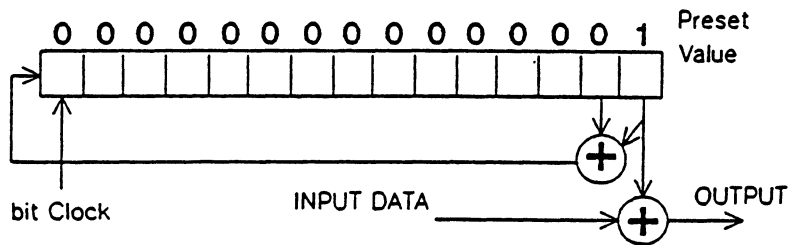


Fig. 28 - Shift Register

For each byte the least significant bit, i.e. bit b1 is input first. The logical operators are Exclusive ORs. The result of this operation is a G2 Sub-Group in which all bytes are numbered from D0 to D5755. Their sequence is the same as before the randomizing operation, i.e. as in the G1 Sub-Group.

9.3.2 G3 Sub-Group

Each G2 Sub-Group of 5756 bytes shall be re-arranged into an G3 Sub-Group of 5824 bytes.

In a G3 Sub-Group the bytes of the G2 Sub-Group are ordered consecutively in rows of four called a word. These words are numbered consecutively from 1 to 1439. They are preceded by a 4-byte Header forming word No. 0 and followed by 16 4-byte words numbered 1440 to 1455 all bytes of which are set to all ZEROs.

The bytes D_k of the G2 Sub-Group the indices k of which equal 0 or 1 (mod 4) are grouped in a 2-byte channel A, those the indices k of which equal 2 or 3 (mod 4) are grouped in a 2-byte channel B.

In each channel the bytes are allocated to a lower or an upper byte as follows:

- D_k is allocated to the lower byte of channel A for $k = 0 \pmod{4}$
- D_k is allocated to the upper byte of channel A for $k = 1 \pmod{4}$
- D_k is allocated to the lower byte of channel B for $k = 2 \pmod{4}$
- D_k is allocated to the upper byte of channel B for $k = 3 \pmod{4}$

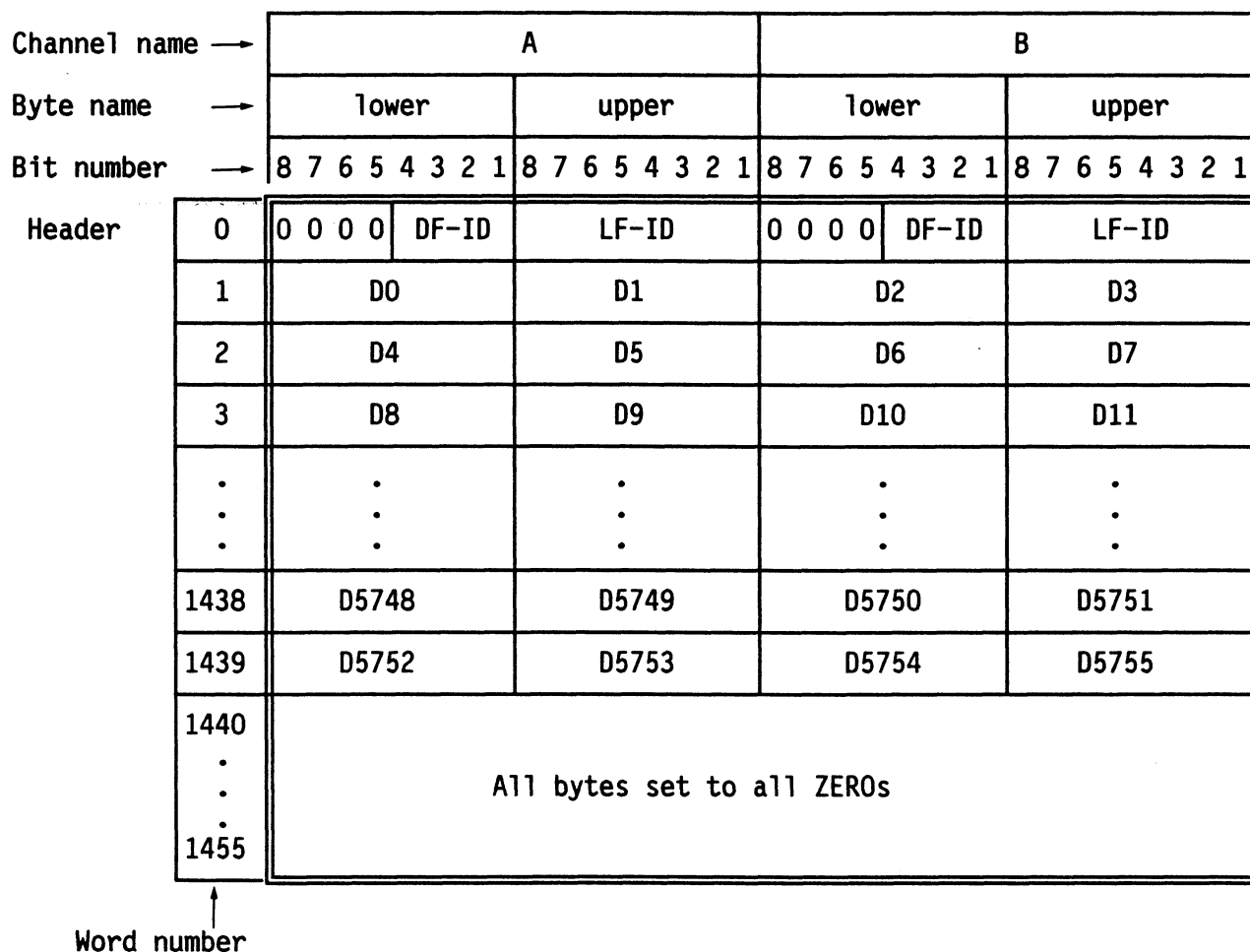


Fig. 29 - G3 Sub-Group

9.3.2.1 Header

Word No. 0 constitutes a 6-field Header.

9.3.2.1.1 Data Format ID (DF-ID)

In both channels, this field shall be a 4-bit field. It shall be set to 0000.

9.3.2.1.2 Bits 5-8 of the Lower Byte of both Channels

These bits shall be set to ZERO.

9.3.2.1.3 Logical Frame ID (LF-ID)

In both channels this field shall be an 8-bit field. Bits 6 to 1 shall express in binary notation the Logical Frame Number, which is the running number of the G1 Sub-Group.

- if bits 6 to 1 express a number in the range 1 to 21:
 - . bit 7 shall be set to ZERO, and
 - . bit 8 shall be set to ZERO
- if bits 6 to 1 express the number 22:
 - . bit 7 shall be set to ZERO, and

- . bit 8 shall be set to:
 - ZERO to indicate that there is a 23rd Sub-Group containing the check bytes of the ECC3 (see 14.5.3), or
 - ONE, to indicate that there is no such 23rd Sub-Group
 - if bits 6 to 1 express the number 23
 - . bit 7 shall be set to ONE, and
 - . bit 8 shall be set to ONE
- thus indicating that the Sub-Group contains the check bytes of the ECC3, and that the Sub-Group is the last of the sequence.

9.3.2.1.4 Byte Identification

Each byte of a G3 Sub-Group is now identified by

- its channel (A or B)
- its byte name (lower or upper)
- its word number (from 0 to 1455)

Thus, the following notation is introduced.

A_{il} indicates the byte identified by the lower byte of channel A in the i -th word.

A_{iu} indicates the byte identified by the upper byte of channel A in the i -th word.

B_{il} indicates the byte identified by the lower byte of channel B in the i -th word.

B_{iu} indicates the byte identified by the upper byte of channel B in the i -th word.

9.3.3 Sub-Group G4

Each Sub-Group G3 shall be transformed into a Sub-Group G4 consisting of two twin arrays as follows.

A Sign, a Block Number and a Serial Number shall be allocated to each byte using the following formulae.

$$\text{Sign} : (-1)^{a+i}$$

$$\text{Block number} : i \pmod{52} + 75(i \pmod{2}) + \text{int} \frac{i}{832}$$

$$\text{Serial number} : 2(u + \text{int} \frac{i}{52}) - \text{int} \frac{i}{52} \pmod{2} - 32 \text{int} \frac{i}{832}$$

where:

int = indicates the integer part of the quotient

i = 0 to 1455

a = 0 for the A_{iu} and A_{il} bytes

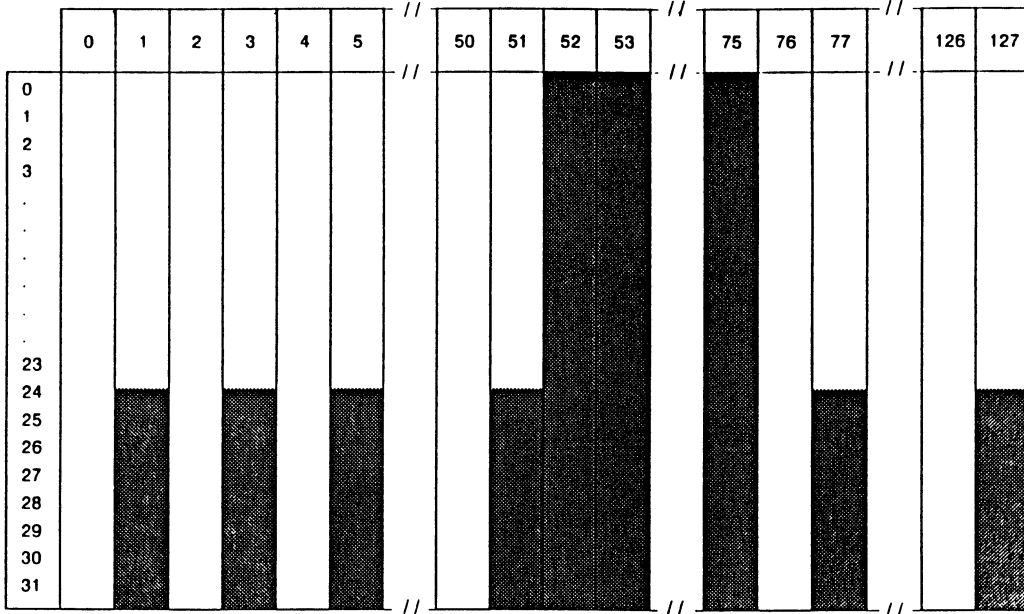
a = 1 for the B_{iu} and B_{il} bytes

u = 0 for the A_{iu} and B_{iu} bytes

u = 1 for the A_{il} and B_{il} bytes

Processing a G3 Sub-Group in this way yields twin arrays PLUS and MINUS in which each byte is identified by its Block Number (from 0 to 127) and its Serial Number (from 0 to 31).

Array PLUS



Array MINUS

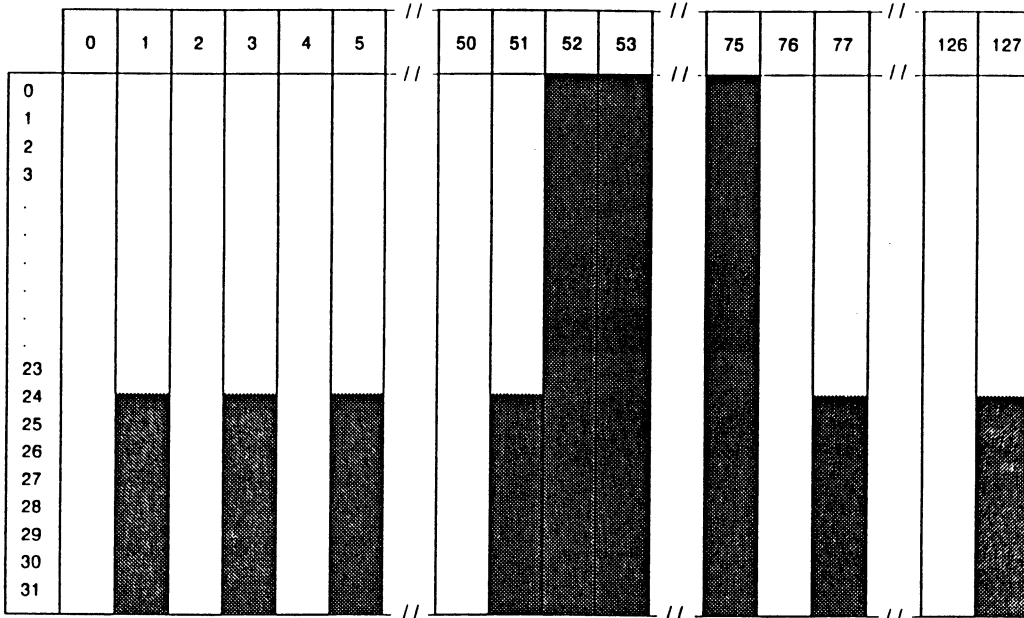


Fig. 30 - Twin arrays of a G4 Sub-Group before C1 and C2 computation

Applying the above formulae to the bytes of a G3 Sub-Group leaves a number of positions unoccupied in both arrays. These positions, shown shaded in Fig. 30, are:

- Serial Numbers 24 to 31 in all odd numbered Blocks with a Block Number 1 to 51 and 77 to 127,
- all Blocks with a Block Number from 52 to 75.

The bytes to be allocated to these positions shall be obtained by computing ECC bytes obtained from two error detection and correction codes C1 and C2 computed over the bytes already allocated into the two twin arrays.

The C2 bytes shall be computed for all Serial Numbers in each even-numbered Block with a Block Number from 52 to 74, and for Serial Numbers 0 to 23 in each odd-numbered Block with a Block Number from 53 to 75 from the bytes with the same Serial Number in all the other Blocks.

The C1 bytes shall then be computed for Serial Numbers 24 to 31 in all odd-numbered Blocks from all the bytes in the previous even-numbered Block and the bytes with a Serial Number from 0 to 23 in the odd-numbered Block. In Blocks with a Block Number from 53 to 75, these C1 bytes shall be computed from the C2 bytes previously computed.

These two computations yield the bytes for the byte positions indicated by the shaded portions of the two twin arrays of Fig. 30.

- C1 shall be a GF (2⁸) Reed-Solomon Code (32, 28, 5)
- C2 shall be a GF (2⁸) Reed-Solomon Code (32, 26, 7)

Calculation in a GF (2⁸) is defined by

$$G(x) = x^8 + x^4 + x^3 + x^2 + 1$$

A primitive element α in GF (2⁸) shall be:

$$\alpha = (0 \ 0 \ 0 \ 0 \ 0 \ 0 \ 1 \ 0)$$

$$\alpha^7 \ \alpha^6 \ \alpha^5 \ \alpha^4 \ \alpha^3 \ \alpha^2 \ \alpha^1 \ \alpha^0$$

The interleave depth of C1 is two bytes, that of C2 is four blocks. The ECC bytes shall satisfy:

$$H_P \cdot V_P = 0$$

$$H_Q \cdot V_Q = 0$$

The generator polynomials shall be:

$$G_P(x) = \prod_{i=0}^{i=3} x - \alpha^i$$

$$G_Q(x) = \prod_{i=0}^{i=5} x - \alpha^i$$

$$H_p = \begin{bmatrix} 1 & 1 & 1 & 1 & \dots & 1 & 1 & 1 \\ \alpha^{31} & \alpha^{30} & \alpha^{29} & \alpha^{28} & \dots & \alpha^2 & \alpha & 1 \\ \alpha^{62} & \alpha^{60} & \alpha^{58} & \alpha^{56} & \dots & \alpha^4 & \alpha^2 & 1 \\ \alpha^{93} & \alpha^{90} & \alpha^{87} & \alpha^{84} & \dots & \alpha^6 & \alpha^3 & 1 \end{bmatrix}$$

$$H_Q = \begin{bmatrix} 1 & 1 & 1 & 1 & \dots & 1 & 1 & 1 \\ \alpha^{31} & \alpha^{30} & \alpha^{29} & \alpha^{28} & \dots & \alpha^2 & \alpha & 1 \\ \alpha^{62} & \alpha^{60} & \alpha^{58} & \alpha^{56} & \dots & \alpha^4 & \alpha^2 & 1 \\ \alpha^{93} & \alpha^{90} & \alpha^{87} & \alpha^{84} & \dots & \alpha^6 & \alpha^3 & 1 \\ \alpha^{124} & \alpha^{120} & \alpha^{116} & \alpha^{112} & \dots & \alpha^8 & \alpha^4 & 1 \\ \alpha^{155} & \alpha^{150} & \alpha^{145} & \alpha^{140} & \dots & \alpha^{10} & \alpha^5 & 1 \end{bmatrix}$$

$$V_p = \begin{bmatrix} D_{2k, \ell} \\ D_{2k, \ell+2} \\ D_{2k, \ell+4} \\ D_{2k, \ell+6} \\ D_{2k, \ell+8} \\ D_{2k, \ell+10} \\ D_{2k, \ell+12} \\ D_{2k, \ell+14} \\ D_{2k, \ell+16} \\ D_{2k, \ell+18} \\ D_{2k, \ell+20} \\ D_{2k, \ell+22} \\ D_{2k, \ell+24} \\ D_{2k, \ell+26} \\ D_{2k, \ell+28} \\ D_{2k, \ell+30} \\ D_{2k+1, \ell} \\ D_{2k+1, \ell+2} \\ D_{2k+1, \ell+4} \\ D_{2k+1, \ell+6} \\ D_{2k+1, \ell+8} \\ D_{2k+1, \ell+10} \\ D_{2k+1, \ell+12} \\ D_{2k+1, \ell+14} \\ D_{2k+1, \ell+16} \\ D_{2k+1, \ell+18} \\ D_{2k+1, \ell+20} \\ D_{2k+1, \ell+22} \\ P_{2k+1, \ell+24} \\ P_{2k+1, \ell+26} \\ P_{2k+1, \ell+28} \\ P_{2k+1, \ell+30} \end{bmatrix} \quad V_Q = \begin{bmatrix} D_{m, n} \\ D_{m+4, n} \\ D_{m+8, n} \\ D_{m+12, n} \\ D_{m+16, n} \\ D_{m+20, n} \\ D_{m+24, n} \\ D_{m+28, n} \\ D_{m+32, n} \\ D_{m+36, n} \\ D_{m+40, n} \\ D_{m+44, n} \\ D_{m+48, n} \\ Q_{m+52, n} \\ Q_{m+56, n} \\ Q_{m+60, n} \\ Q_{m+64, n} \\ Q_{m+68, n} \\ Q_{m+72, n} \\ D_{m+76, n} \\ D_{m+80, n} \\ D_{m+84, n} \\ D_{m+88, n} \\ D_{m+92, n} \\ D_{m+96, n} \\ D_{m+100, n} \\ D_{m+104, n} \\ D_{m+108, n} \\ D_{m+112, n} \\ D_{m+116, n} \\ D_{m+120, n} \\ D_{m+124, n} \end{bmatrix}$$

where:

- $P_{i,j}$ = C1 bytes
- $Q_{i,j}$ = C2 bytes
- i = Block Number
- j = Serial Number

For C1: $k = 0, 1, \dots, 63$
 $l = 0, 1$
 if $k = 26, 27, \dots$ to 37, then D_{ij} in V_p is read as Q_{ij}

For C2: if $m = 0$ or 2, then $n = 0, 1, \dots, 31$
 if $m = 1$ or 3, then $n = 0, 1, \dots, 23$

9.3.4 Main Data Block

Each 32-byte block of each array of a G4 Sub-Group shall be transformed into a 35-byte Main Data Block by the addition of a Header of three 8-bit bytes preceding the 32 bytes of the block:

- 2 bytes : Main ID, W1 and W2
- 1 byte : Main ID, parity.

9.3.4.1 Main ID

The Main ID bytes W1 and W2 shall have the following contents.

9.3.4.1.1 W1 byte

| | b8 | b7 | b6 | b5 | b4 | b3 | b2 | b1 |
|-------------------------------|-----------|----|----|----|--------------|----|----|----|
| Block with even Block Numbers | Format ID | | 0 | 0 | Frame number | | | |
| Block with odd Block numbers | 0 | 0 | 0 | 0 | 0 | 0 | 0 | 0 |

Fig. 31 - W1 byte

For all blocks of the G4 Sub-Group with an odd Block Number the W1 byte shall be set to all ZEROs.

For all blocks of the G4 Sub-Group with an even Block Number, the W1 byte shall be set as follows:

- Bits 8 and 7:** if the Block Number (mod 8) equals 0 then these bits, called Format ID, are set to 01, otherwise they are set to 00
- Bits 6 and 5:** shall be set to ZERO
- Bits 4 to 1:** shall specify in binary notation a Frame Number. This is a running number which shall be incremented (mod 16) between consecutive frames. Repetitions and discontinuities are allowed at an append point, see 14.5.6 and Fig. 45.

9.3.4.1.2 W2 byte

| | |
|----|--|
| b8 | b7 b6 b5 b4 b3 b2 b1 |
| 0 | Block Number of the Blocks of the G4 Sub-Group |

Fig. 32 - W2 byte

Bit 8: shall be set to ZERO to indicate that the block is a Main Data Block.

Bits 7 to 1: shall specify in binary notation the Block Number from 0 to 127 within the G4 Sub-Group and the Sign to which the Main Data Block belongs.

9.3.4.2 Main ID Parity

The Main ID Parity byte shall be set to $(W1 + W2)$, where $+$ is the Exclusive OR operator.

9.3.4.3 Summary of the Structure of a Main Data Block

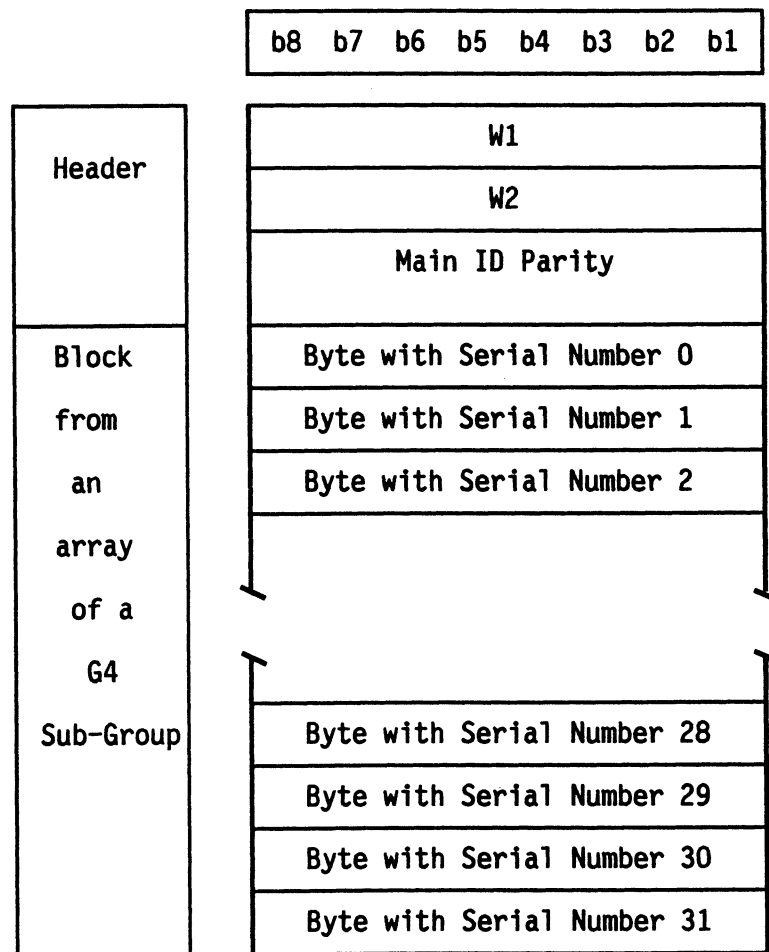


Fig. 33 - Main Data Block

9.3.4.4 Summary of the transformation of a Basic Group

Each Basic Group has been transformed into 22 G4 Sub-Groups. Each G4 Sub-Group consists of two arrays of 128 Blocks each. Each of these Blocks has been transformed into a Main Data Block. Thus a Basic Group is transformed into $22 \times 2 \times 128 = 5632$ Main Data Blocks before being recorded on the tape.

9.4. Sub-Data Area

The Sub-Data Area contains three types of information arranged in groups called Pack Items:

- in Pack Items No. 1 and 2, information about the Basic Group, viz.
 - . the Running Number of the Basic Group,
 - . the number of Separator 1's written since the LBOT
 - . the number of Separator 2's written since the LBOT
 - . the number of records written since the LBOT
- in Pack Items No. 3 and 4, information about the contents of the tracks,
- in Pack Items No. 5 to 8, log data on the history of the use of the tape (see 14.4.2).

Each Pack Item consists of eight 8-bit bytes numbered from 1 to 8, b8 being the most significant bit. In all Pack Items

- Bits 8 to 5 of byte No. 1 shall specify in binary notation the Pack Item Number,
- for all multiple-byte fields, the lowest numbered byte shall be the most significant and highest numbered byte the least significant,
- Byte No. 8 is called Parity. For each bit position the content shall be the sum (mod 2) of the corresponding bits of the other seven bytes.

9.4.1 Pack Item No. 1

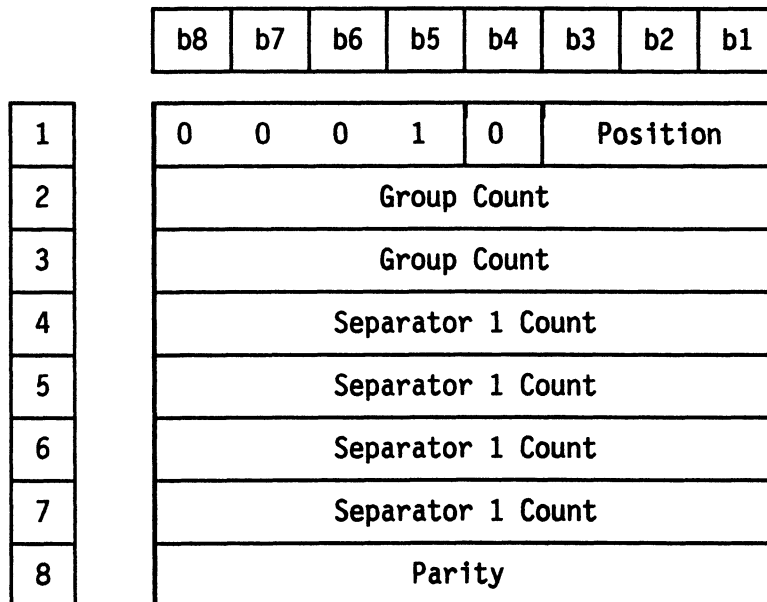


Fig. 34 - Pack Item No. 1

9.4.1.1 Byte No. 1

In byte No. 1

- b8 to b5 shall specify Pack Item Number 1
- b4 shall be set to ZERO
- b3 to b1 shall specify the position of the current recorded instance of this Basic Group in a sequence of contiguous, recorded instances of this Basic Group (see 14.5.4). The first recorded instance shall be indicated by 000, the second by 001, etc.

9.4.1.2 Bytes No. 2 and 3

These bytes shall specify the Group Count recorded in the Group Information Table (see 9.2.1.1).

9.4.1.3 Bytes No. 4 to No. 7

These bytes shall specify the Separator 1 Count recorded in the Group Information Table (see 9.2.1.1).

9.4.2 Pack Item No. 2

| | | | | | | | | |
|---|-------------------|----|----|----|----|-------------|----|----|
| | b8 | b7 | b6 | b5 | b4 | b3 | b2 | b1 |
| 1 | 0 | 0 | 1 | 0 | 0 | Repetitions | | |
| 2 | Separator 2 Count | | | | | | | |
| 3 | Separator 2 Count | | | | | | | |
| 4 | Record Count | | | | | | | |
| 5 | Record Count | | | | | | | |
| 6 | Record Count | | | | | | | |
| 7 | Record Count | | | | | | | |
| 8 | Parity | | | | | | | |

Fig. 35 - Pack Item No. 2

9.4.2.1 Byte No. 1

In byte No. 1

- b8 to b5 shall specify Pack Item Number 2
- b4 shall be set to ZERO
- b3 to b1 shall specify the number of repetitions of the Basic Group in a sequence of contiguous, recorded instances of this Basic Group, viz. the total number of its recorded instances less one (see 14.5.4).

9.4.2.2 Bytes No. 2 and 3

These bytes shall specify the Separator 2 Count recorded in the Group Information Table (see 9.2.1.1).

9.4.2.3 Bytes No. 4 to No. 7

These bytes shall specify the Record Count recorded in the Group Information Table (see 9.2.1.1).

9.4.3 Pack Item No. 3

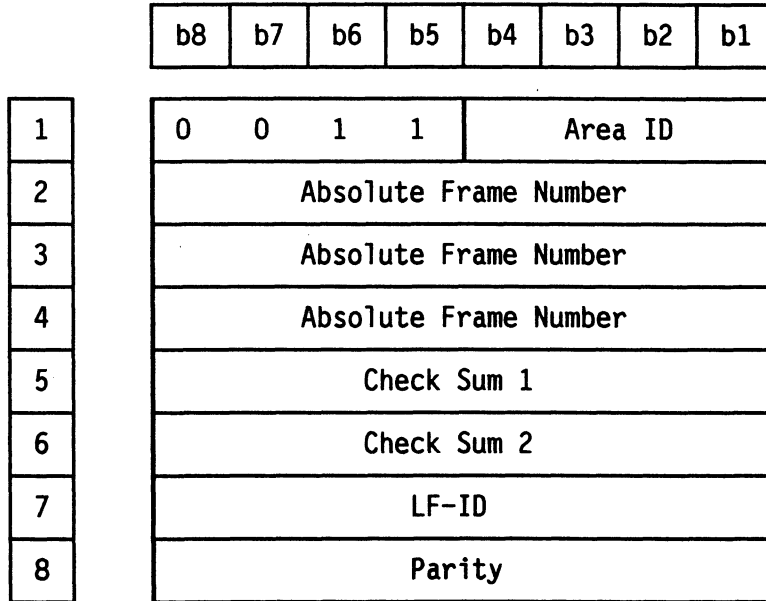


Fig. 36 - Pack Item No. 3

9.4.3.1 Byte No. 1

In byte No. 1

- b8 to b5 shall specify Pack Item Number 3
- b4 to b1 shall be set according to 9.4.9.1.1.

9.4.3.2 Bytes No. 2 to No. 4

These bytes shall specify a running number, the Absolute Frame Number, of the current frame, starting with 1 for the first frame after the LBOT.

9.4.3.3 Bytes No. 5 to No. 7

9.4.3.3.1 Area ID set to X100 (see 9.4.9.1.1)

9.4.3.3.1.1 Byte No. 5

For each bit position of this byte the content shall be the sum (mod 2) of the corresponding bits of byte No. 7 of this Pack Item plus the corresponding bits of the bytes of the G1 Sub-Group identified by byte No. 7 having the indices

$$D_{8i+3}, D_{8i+5}, D_{5755}, \text{ where } i = 0, 1, 2, \dots, 718.$$

9.4.3.3.1.2 Byte No. 6

For each bit position of this byte the content shall be the sum (mod 2) of the corresponding bits of the bytes of the G1 Sub-Group identified by byte No. 7 of this Pack Item having the indices

$$D_{8i+2}, D_{8i+4}, D_{5754}, \text{ where } i = 0, 1, 2, \dots, 718.$$

9.4.3.3.1.3 Byte No. 7

This byte shall have the same setting as the Logical Frame ID of the G1 Sub-Group (see 9.3.2.1.3) to which Pack Item Number 3 refers.

9.4.3.3.2 Area ID set to 0010

These bytes shall specify in binary notation the highest Absolute Frame Number within Partition 1 of a Partitioned Tape (see 15).

9.4.3.3.3 Area ID set to 1010

These bytes shall be set to all ONES.

9.4.3.3.4 Area ID set to any other bit combination

These bytes shall be set to all ZEROS.

9.4.4 Pack Item No. 4

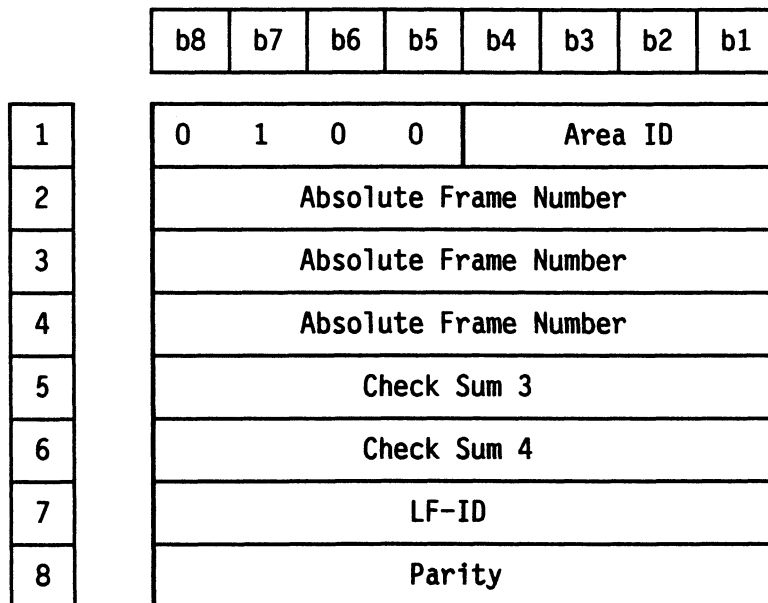


Fig. 37 - Pack Item No. 4

9.4.4.1 Byte No. 1

In byte No. 1

- b8 to b5 shall specify Pack Item Number 4
- b4 to b1 shall be set according to 9.4.9.1.1.

9.4.4.2 Bytes No. 2 to No. 4

The number specified in these bytes shall be the same as that specified by bytes No. 2 to No. 4 in Pack Item Number 3.

9.4.4.3 Bytes No. 5 to No. 7

9.4.4.3.1 Area ID set to X100 (see 9.4.9.1.1)

9.4.4.3.1.1 Byte No. 5

For each bit position of this byte the content shall be the sum (mod 2) of the corresponding bits of byte No. 7 of this Pack Item plus the corresponding bits of the bytes of the G1 Sub-Group identified by byte No. 7 having the indices

$$D_1, D_{8i-1}, D_{8i+1}, \text{ where } i = 1, 2, \dots, 719.$$

9.4.4.3.1.2 Byte No. 6

For each bit position of this byte the content shall be the sum (mod 2) of the corresponding bits of the bytes of the G1 Sub-Group identified by byte No. 7 of this Pack Item having the indices

$$D_0, D_{8i-2}, D_{8i}, \text{ where } i = 1, 2, \dots, 719.$$

9.4.4.3.1.3 Byte No. 7

This byte shall have the same setting as the Logical Frame ID of the G1 Sub-Group (see 9.3.2.1.3) to which Pack Item Number 4 refers.

9.4.4.3.2 Area ID set to 0010

These bytes shall specify in binary notation the highest Absolute Frame Number within Partition 1 of a Partitioned Tape.

9.4.4.3.3 Area ID set to 1010

These bytes shall be set to all ONES.

9.4.4.3.4 Area ID set to any other bit combination

These bytes shall be set to all ZEROS.

9.4.5 Pack Item No. 5

| | | | | | | | | |
|---|--------------------------------------|----|----|----|----------------------|----|----|----|
| | b8 | b7 | b6 | b5 | b4 | b3 | b2 | b1 |
| 1 | 0 | 1 | 0 | 1 | Data Groups Recorded | | | |
| 2 | Recorded Data Groups | | | | | | | |
| 3 | Recorded Data Groups | | | | | | | |
| 4 | Total Number of Recorded Data Groups | | | | | | | |
| 5 | Total Number of Recorded Data Groups | | | | | | | |
| 6 | Total Number of Recorded Data Groups | | | | | | | |
| 7 | Total Number of Recorded Data Groups | | | | | | | |
| 8 | Parity | | | | | | | |

Fig. 38 - Pack Item No. 5

9.4.5.1 Byte No. 1

- b8 to b5 shall specify Pack Item Number 5
- b4 to b1 see 9.4.5.2

9.4.5.2 Bytes No. 2 and No. 3

Together with bits b4 to b1 of byte No. 1 these two bytes constitute a 20-bit field specifying the number of Recorded Data Groups (see 14.5.2 and 14.5.4) recorded on the tape between the last update but one and the last update of the log. Bit b4 of byte No. 1 is the most significant and bit b1 of byte No. 3 is the least significant bit.

9.4.5.3 Bytes No. 4 to No. 7

These bytes shall specify the number of Recorded Data Groups (see 14.5.2 and 14.5.4) recorded prior to the last update of the log.

9.4.6 Pack Item No. 6

| | | | | | | | | |
|---|---|----|----|----|---------------------------|----|----|----|
| | b8 | b7 | b6 | b5 | b4 | b3 | b2 | b1 |
| 1 | 0 | 1 | 1 | 0 | Recorded Data Groups Read | | | |
| 2 | Recorded Data Groups Read | | | | | | | |
| 3 | Recorded Data Groups Read | | | | | | | |
| 4 | Total Number of Recorded Data Groups Read | | | | | | | |
| 5 | Total Number of Recorded Data Groups Read | | | | | | | |
| 6 | Total Number of Recorded Data Groups Read | | | | | | | |
| 7 | Total Number of Recorded Data Groups Read | | | | | | | |
| 8 | Parity | | | | | | | |

Fig. 39 - Pack Item No. 6

9.4.6.1 Byte No. 1

- b8 to b5 shall specify Pack Item Number 6
- b4 to b1 see 9.4.6.2.

9.4.6.2 Bytes No. 2 and No. 3

Together with bits b4 to b1 of byte No. 1 these two bytes constitute a 20-bit field specifying the number of Recorded Data Groups (see 14.5.2 and 14.5.4) read successfully by a drive between the last update but one and the last update of the log. Bit b4 of byte No. 1 is the most significant and bit b1 of byte No. 3 is the least significant bit.

9.4.6.3 Bytes No. 4 to No. 7

These bytes shall specify the number of Recorded Data Groups (see 14.5.2 and 14.5.4) read successfully prior to the last update of the log.

9.4.7 Pack Item No. 7

| | | | | | | | | |
|---|---------------------------|----|----|----|----|----|----|----|
| | b8 | b7 | b6 | b5 | b4 | b3 | b2 | b1 |
| 1 | 0 | 1 | 1 | 1 | 0 | 0 | 0 | 0 |
| 2 | Total Check-Read Failures | | | | | | | |
| 3 | Total Check-Read Failures | | | | | | | |
| 4 | Total Check-Read Failures | | | | | | | |
| 5 | Total Group Read Failures | | | | | | | |
| 6 | Total Group Read Failures | | | | | | | |
| 7 | Total Group Read Failures | | | | | | | |
| 8 | Parity | | | | | | | |

Fig. 40 - Pack Item No. 7

9.4.7.1 Byte No. 1

- b8 to b5 shall specify Pack Item Number 7
- b4 to b1 shall be set to ZERO.

9.4.7.2 Bytes No. 2 to No. 4

These bytes shall specify the total number of frames that have failed a Read-After-Write check (see Appendix L) prior to the last update of the log.

This number does not include the frames which are written between the original frame and its next rewritten occurrence.

9.4.7.3 Bytes No. 5 to No. 7

These bytes shall specify the number of times it has not been possible to read successfully all data in a Recorded Data Group with the use of C1 and C2 only, prior to the last update of the log. This number includes all unsuccessful attempts.

9.4.8 Pack Item No. 8

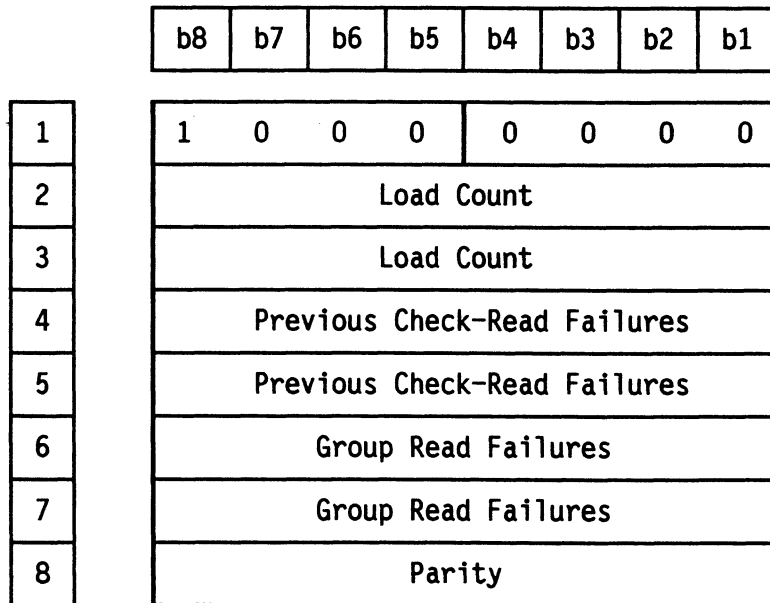


Fig. 41 - Pack Item No. 8

9.4.8.1 Byte No. 1

- b8 to b5 shall specify Pack Item Number 8
- b4 to b1 shall be set to ZERO.

9.4.8.2 Bytes No. 2 and No. 3

These bytes shall specify the number of times the tape has been loaded prior to the last update of the log. One load consists of pulling the tape from its case, wrapping the tape around the drum, positioning the tape ready for use, unwrapping the tape and returning it into the case.

9.4.8.3 Bytes No. 4 and No. 5

These bytes shall specify the total number of frames that have failed a Read-After-Write check (see Appendix L) between the last update but one and the last update of the log.

This number does not include the frames which are written between the original frame and its next rewritten occurrence.

9.4.8.4 Bytes No. 6 and No. 7

These bytes shall specify the number of times it has not been possible to read successfully all data in a Recorded Data Group with the use of C1 and C2 only, between the last update but one and the last update of the log. This number includes all unsuccessful attempts.

9.4.9 Sub Data Block

A Sub Data Block shall consist of thirty five 8-bit bytes:

- a 3-byte Header,
- three Pack Items,
- 8 bytes which are either Pack Items No. 3 or No. 4, or set to all ZEROs, or C1 bytes.

There shall be 16 such Sub Data Blocks per track (see Table 9) numbered sequentially. The Block Number is a running number allocated to each Sub Data Block within one track. In the Sub Zone 1 (see Table 9) of a track these numbers run from 0 to 7, in the Sub Zone 2 they run from 8 to 15.

9.4.9.1 Header

The Header shall consist of

- 2 bytes: Sub ID, SW1 and SW2
- 1 byte: Sub ID, Parity

9.4.9.1.1 SW1 Byte

| | b8 | b7 | b6 | b5 | b4 | b3 | b2 | b1 |
|-------------------|---------|----|----|----|----|----|----|----|
| Even Block Number | Area ID | | | | 1 | 0 | 0 | 0 |
| Odd Block Number | 0 | 0 | 0 | 0 | 0 | 0 | 0 | 0 |

Fig. 42 - SW1 Byte

The 4-bit Area ID shall identify the current area of the tape (see 14). The settings of this field shall be as follows.

- 0000 : Device Area
- X001 : Reference Area
- X010 : System Area
- X100 : Data Area
- X101 : EOD Area

Other settings of this field are prohibited by this Standard.

For a tape with a Single Data Space (see 15), bit X shall be set to ONE. For a tape with two partitions, bit X shall be set to ONE for Partition 0 and to ZERO for Partition 1.

9.4.9.1.2 SW2 Byte

| | b8 | b7 | b6 | b5 | b4 | b3 | b2 | b1 |
|-------------------|----|---------|----|----|--------------|----|----|----|
| Even Block Number | 1 | Pack ID | | | Block Number | | | |
| Odd Block Number | 1 | 0 | 0 | 0 | Block Number | | | |

Fig. 43 - SW2 Byte

- b8 shall be set to ONE to indicate that the block is a Sub Data Block
- b7 to b5
 - on blocks with even Block Numbers these bits shall express in binary notation the number of Pack Items contained in the current Sub Data Block and the adjacent higher-numbered Sub-Data Block. This number shall be either 6 or 7;

- on blocks with odd Block Numbers these bits shall be set to 000.
- b4 to b1 shall specify in binary notation the Block Number from 0 to 15.

9.4.9.1.3 Sub ID Parity byte

The Sub ID Parity byte shall be set to (SW1 + SW2), where + is the Exclusive OR operator.

9.4.9.2 Data Part of a Sub Data Block

The bytes following the Header shall be as follows:

- the first 24 bytes shall be three 8-byte Pack Items,
- the last eight bytes shall be either an 8-byte Pack Item or eight bytes set to all ZEROs, or eight bytes of C1 parity.

In Sub Data Blocks with an even Sub Data Block Number the last eight bytes shall be

- either all set to all ZEROs if the Pack ID is set to 6,
- or a Pack Item No. 3 or No. 4 if the Pack ID is set to 7.

In Sub Data Blocks with an odd Sub Data Block Number the last eight bytes shall be C1 parity bytes. They shall be computed over the last 32 bytes of the preceding even-numbered Sub Data Block and the 24 bytes in byte positions 4 to 27 of the Sub Data Block (i.e. the C1 parity is not computed over the Header bytes).

9.4.9.3 Summary of the Structure of a Sub Data Block

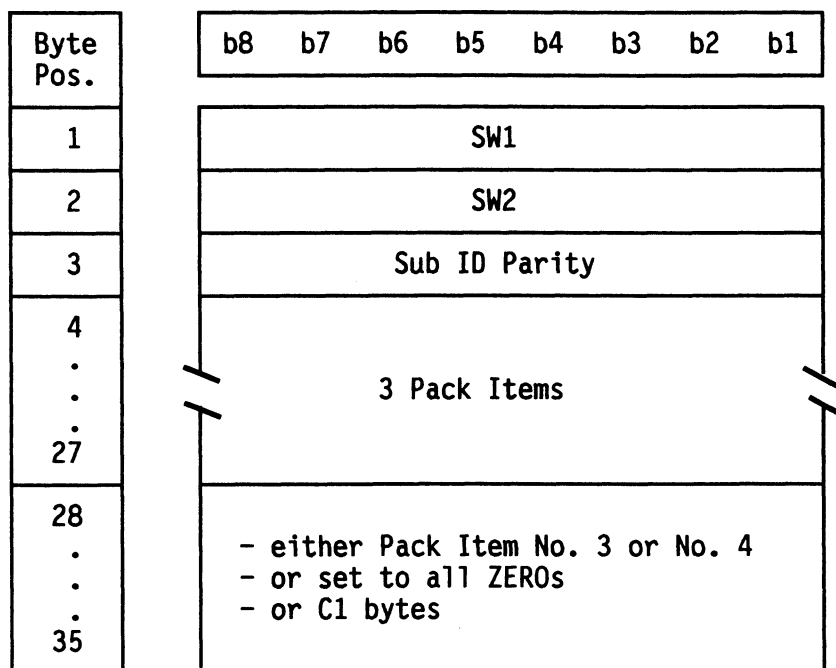


Fig. 43 - Sub Data Block

9.4.9.4 Pack Items Location

The Pack Items are allocated group-wise to two areas of a track called Sub Zone 1 and Sub Zone 2 (see Table 9). The grouping of the Pack Items and their allocation to Recorded Sub Data Blocks (see 12.2) depends on the setting of the Pack ID in the Header and on the

location of the track in the tape layout (see 14 and Fig. 46), as denoted by the Area ID in the Header and the Absolute Frame Number in Pack Items No. 3 and No. 4.

In the Tables 3 to 8 the Sub Data Blocks are shown by rows identified by the corresponding Sub Data Block Number. The first eight rows are those allocated to the Sub Zone 1, the next eight rows are those allocated to the Sub Zone 2. When the last eight bytes of a Sub Data Block are set to all ZERO, this is denoted by (00), when these eight bytes are C1 parity bytes, this is denoted by C1.

9.4.9.4.1 Pack Item Location in the Data Area

The locations of the Pack Items in the tracks of the Data Area, i.e. where the Area ID is 0100 or 1100, are shown in Table 3 for the case when the Pack ID takes the value 6 and in Table 4 for the case when the Pack ID takes the value 7

**Pack ID = 6
Area ID = X100**

| Block Number | Pack Item No. | | | |
|--------------|---------------|---|---|------|
| | 1 | 2 | 3 | (00) |
| 0 | 1 | 2 | 3 | (00) |
| 1 | 1 | 2 | 4 | C1 |
| 2 | 1 | 2 | 3 | (00) |
| 3 | 1 | 2 | 4 | C1 |
| 4 | 1 | 2 | 3 | (00) |
| 5 | 1 | 2 | 4 | C1 |
| 6 | 1 | 2 | 3 | (00) |
| 7 | 1 | 2 | 4 | C1 |
| 8 | 1 | 2 | 3 | (00) |
| 9 | 1 | 2 | 4 | C1 |
| 10 | 1 | 2 | 3 | (00) |
| 11 | 1 | 2 | 4 | C1 |
| 12 | 1 | 2 | 3 | (00) |
| 13 | 1 | 2 | 4 | C1 |
| 14 | 1 | 2 | 3 | (00) |
| 15 | 1 | 2 | 4 | C1 |

Sub Zone 1

Sub Zone 2

Table 3 - First Location of Pack Items

Pack ID = 7
Area ID = X100

| Block Number | Pack Item No. | | | | |
|--------------|---------------|---|---|--------|------------|
| | 0 | 1 | 2 | 3 | 3 or 4 |
| 1 | 1 | 2 | 4 | C1 | |
| 2 | 1 | 2 | 3 | 3 or 4 | |
| 3 | 1 | 2 | 4 | C1 | |
| 4 | 1 | 2 | 3 | 3 or 4 | |
| 5 | 1 | 2 | 4 | C1 | |
| 6 | 1 | 2 | 3 | 3 or 4 | |
| 7 | 1 | 2 | 4 | C1 | Sub Zone 1 |
| 8 | 1 | 2 | 3 | 3 or 4 | Sub Zone 2 |
| 9 | 1 | 2 | 4 | C1 | |
| 10 | 1 | 2 | 3 | 3 or 4 | |
| 11 | 1 | 2 | 4 | C1 | |
| 12 | 1 | 2 | 3 | 3 or 4 | |
| 13 | 1 | 2 | 4 | C1 | |
| 14 | 1 | 2 | 3 | 3 or 4 | |
| 15 | 1 | 2 | 4 | C1 | |

Table 4 - Second Location of Pack Items

9.4.9.4.2 Pack Item Location in the System Log

The locations of the Pack Items in the tracks of the System Log, i.e. where the Area ID is 0010 or 1010 and the Absolute Frame Number is greater than 70 and less than 96, are shown in Table 5 for the case when the Pack ID takes the value 6 and in Table 6 for the case when the Pack ID takes the value 7.

**Pack ID = 6
Area ID = X010
70 < AFN < 96.**

| Block Number | Pack Item No. | | | | |
|--------------|---------------|---|---|------|------------|
| | 5 | 7 | 3 | (00) | |
| 0 | 5 | 7 | 3 | (00) | |
| 1 | 6 | 8 | 4 | C1 | |
| 2 | 5 | 7 | 3 | (00) | |
| 3 | 6 | 8 | 4 | C1 | |
| 4 | 5 | 7 | 3 | (00) | |
| 5 | 6 | 8 | 4 | C1 | |
| 6 | 5 | 7 | 3 | (00) | |
| 7 | 6 | 8 | 4 | C1 | Sub Zone 1 |
| 8 | 5 | 7 | 3 | (00) | Sub Zone 2 |
| 9 | 6 | 8 | 4 | C1 | |
| 10 | 5 | 7 | 3 | (00) | |
| 11 | 6 | 8 | 4 | C1 | |
| 12 | 5 | 7 | 3 | (00) | |
| 13 | 6 | 8 | 4 | C1 | |
| 14 | 5 | 7 | 3 | (00) | |
| 15 | 6 | 8 | 4 | C1 | |

Table 5 - Third Location of Pack Items

Pack ID = 7
Area ID = X010
70 < AFN < 96

| Block Number | Pack Item No. | | | |
|--------------|---------------|---|---|--------|
| | 0 | 5 | 7 | 3 |
| 1 | 6 | 8 | 4 | C1 |
| 2 | 5 | 7 | 3 | 3 or 4 |
| 3 | 6 | 8 | 4 | C1 |
| 4 | 5 | 7 | 3 | 3 or 4 |
| 5 | 6 | 8 | 4 | C1 |
| 6 | 5 | 7 | 3 | 3 or 4 |
| 7 | 6 | 8 | 4 | C1 |
| 8 | 5 | 7 | 3 | 3 or 4 |
| 9 | 6 | 8 | 4 | C1 |
| 10 | 5 | 7 | 3 | 3 or 4 |
| 11 | 6 | 8 | 4 | C1 |
| 12 | 5 | 7 | 3 | 3 or 4 |
| 13 | 6 | 8 | 4 | C1 |
| 14 | 5 | 7 | 3 | 3 or 4 |
| 15 | 6 | 8 | 4 | C1 |

Sub Zone 1

Sub Zone 2

Table 6 - Fourth Location of Pack Items

9.4.9.4.3 Pack Item Location in other Areas

The locations of the Pack Items in tracks recorded in the Reference Area, the EOD Area, the System Preamble and the System Postamble, i.e. where the Area ID is 0001, 1001, 0101 or 1101, or where the Area ID is 0010 or 1010 and the Absolute Frame Number is less than 71 or greater than 95, are shown in Table 7 for the case when the Pack ID takes the value 6 and in Table 8 for the case when the Pack ID takes the value 7.

Pack ID = 6

Area ID = . either X001

. or X101

. or X010 and AFN < 71 or AFN > 95

| Block Number | Pack Item No. | | | | |
|--------------|---------------|---|---|------|------------|
| | | | | | |
| 0 | 3 | 3 | 3 | (00) | |
| 1 | 4 | 4 | 4 | C1 | |
| 2 | 3 | 3 | 3 | (00) | |
| 3 | 4 | 4 | 4 | C1 | |
| 4 | 3 | 3 | 3 | (00) | |
| 5 | 4 | 4 | 4 | C1 | |
| 6 | 3 | 3 | 3 | (00) | |
| 7 | 4 | 4 | 4 | C1 | Sub Zone 1 |
| 8 | 3 | 3 | 3 | (00) | Sub Zone 2 |
| 9 | 4 | 4 | 4 | C1 | |
| 10 | 3 | 3 | 3 | (00) | |
| 11 | 4 | 4 | 4 | C1 | |
| 12 | 3 | 3 | 3 | (00) | |
| 13 | 4 | 4 | 4 | C1 | |
| 14 | 3 | 3 | 3 | (00) | |
| 15 | 4 | 4 | 4 | C1 | |

Table 7 - Fifth Location of Pack Items

Pack ID = 7

Area ID = . either X001

. or X101

. or X010 where AFN < 71 or AFN > 95

| Block Number | Pack Item No. | | | | |
|--------------|---------------|---|---|--------|------------|
| | 0 | 3 | 3 | 3 | 3 or 4 |
| 1 | 4 | 4 | 4 | C1 | |
| 2 | 3 | 3 | 3 | 3 or 4 | |
| 3 | 4 | 4 | 4 | C1 | |
| 4 | 3 | 3 | 3 | 3 or 4 | |
| 5 | 4 | 4 | 4 | C1 | |
| 6 | 3 | 3 | 3 | 3 or 4 | |
| 7 | 4 | 4 | 4 | C1 | Sub Zone 1 |
| 8 | 3 | 3 | 3 | 3 or 4 | Sub Zone 2 |
| 9 | 4 | 4 | 4 | C1 | |
| 10 | 3 | 3 | 3 | 3 or 4 | |
| 11 | 4 | 4 | 4 | C1 | |
| 12 | 3 | 3 | 3 | 3 or 4 | |
| 13 | 4 | 4 | 4 | C1 | |
| 14 | 3 | 3 | 3 | 3 or 4 | |
| 15 | 4 | 4 | 4 | C1 | |

Table 8 - Sixth Location of Pack Items

10. METHOD OF RECORDING

The method of recording shall be:

a ONE is represented by a flux transition at the beginning of a bit cell,

a ZERO is represented by the absence of flux transition in the bit cell.

10.1 Physical Recording Density

The maximum physical recording density shall be 3002 ftpmm. The resulting nominal bit cell length is 0,333 μm .

10.2 Long-Term Average Bit Cell Length

The long-term average bit cell length for each track shall be measured over its 128 Recorded Main Data Blocks (see 12.1). It shall be within $\pm 0,2\%$ of the nominal bit cell length.

10.3 Short-Term Average Bit Cell Length

The short-term average bit cell length, referred to a particular bit cell, shall be the average of the preceding twenty bit cells. It shall be within $\pm 0,35\%$ of the long-term average bit cell length for the preceding track of the same azimuth.

10.4 Rate of Change

The above defined short-term average bit cell length shall not change at a rate greater than 0,05% per bit cell.

10.5 Bit Shift

The maximum displacement of any ONEs zero crossing, exclusive of missing pulses, shall not deviate by more than 28% from the expected nominal position defined by the short-term average bit cell length. See Appendix H for the method of measurement.

10.6 Read Signal Amplitude

The Average Signal Amplitude of an interchanged cartridge shall be:

- at 83,4 ftpmm: between 60% and 100% of the nominal recorded level,
- at 333,6 ftpmm, 500,4 ftpmm, 1001 ftpmm and 1501 ftpmm: between 80% and 118,9% of the respective nominal recorded levels (Appendix F).

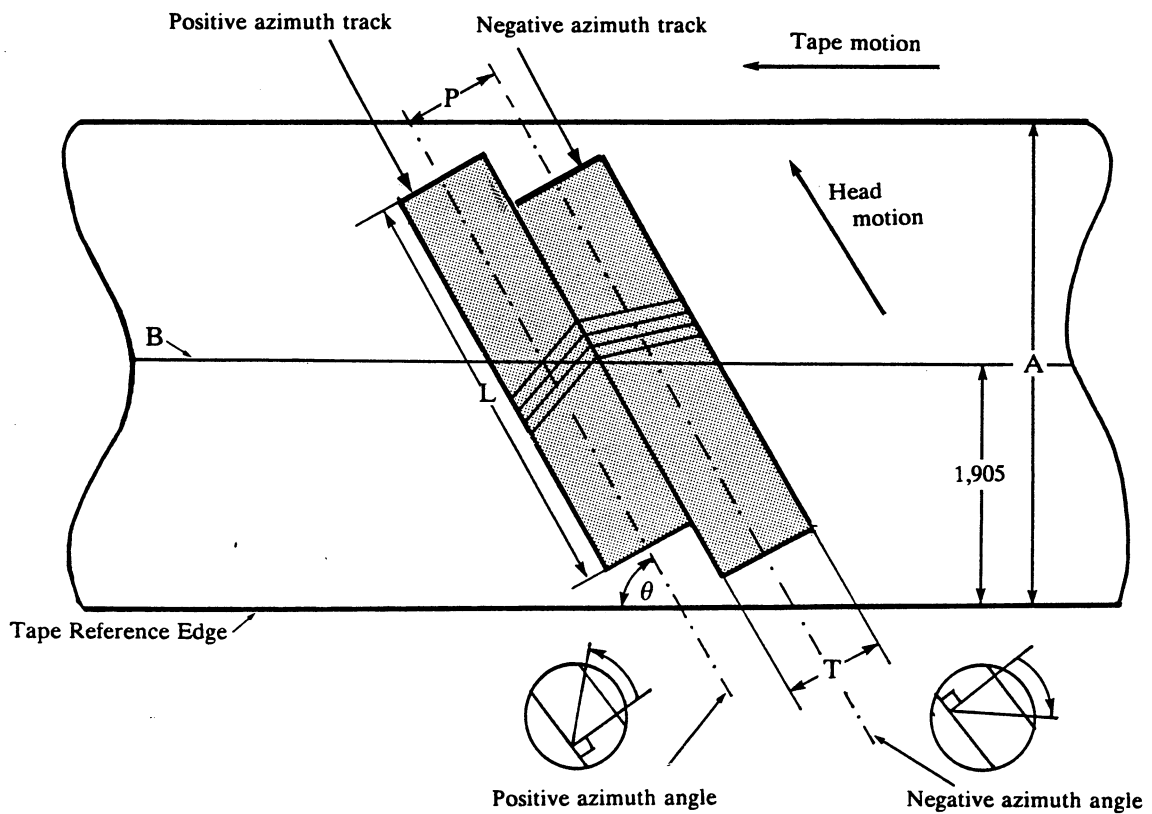
10.7 Maximum Recorded Levels

Recorded signals shall be erasable by overwriting. The limits imposed on the recorded levels for this reason are specified in Appendix F.

11. TRACK GEOMETRY

11.1 Track Configuration

The helical track pattern is formed by the relationship between the direction of tape motion and the axis of rotation of a pair of heads, one of which has a positive azimuth angle and the other a negative azimuth angle. The direction of recording is away from the Tape Reference Edge. The track configuration is shown in Fig. 44.



- A : Tape width
- L : Track length
- P : Track pitch
- T : Track width
- B : Ideal tape centreline
- θ : Track angle

Fig. 44 - Track configuration (view on recording surface)

11.1.1 Average Track Pitch

The average track pitch, taken over any group of 30 consecutive tracks, shall be $13,591 \mu\text{m} \pm 0,068 \mu\text{m}$.

11.1.2 Variations of the track pitch

The change of track pitch between successive track pitches shall not exceed 2,0%, excluding the effect of an appending operation (see 14.5.6).

11.1.3 Track Width

The nominal track width shall be $13,591 \mu\text{m}$.

The measured track width shall be $13,6 \mu\text{m} \pm 2,2 \mu\text{m}$.

11.1.4 Track Angle

The angle of each track with respect to the Tape Reference Edge shall be $6^{\circ}22'59,5'' \pm 36,0''$.

11.1.5 Track Edge linearity

The linearity of the leading edge of each track shall be within 8 μm , when measured according to Appendix K.

11.1.6 Track Length

The length of each track shall be 23,501 mm \pm 0,047 mm.

11.1.7 Ideal Tape Centreline

The ideal centreline of the tape is 1,905 mm from the Tape Reference Edge.

11.1.8 Azimuth Angles

The positive azimuth angle shall be 20°0'59,5" \pm 15'0,0".

The negative azimuth angle shall be 19°59'0,5" \pm 15'0,0".

12. RECORDING OF BLOCKS ON THE TAPE

Each 8-bit byte of the Main Data Blocks and Sub Data Blocks shall be represented on the tape by a 10-bit pattern. Appendix G specifies for each 8-bit byte the 10-bit pattern to be recorded. The bits of the 10-bit pattern are called Channel bits.

All information is recorded on the tape in units called Recorded Blocks. Each Recorded Block consists of 360 Channel bits. The different types of Recorded Block are defined in the following clauses.

12.1 Recorded Main Data Block

A Recorded Main Data Block shall consist of 360 Channel bits representing the 35 8-bit bytes of a Main Data Block preceded by a Sync field of 10 Channel bits with one of the following patterns:

- a) 0100010001
- b) 1100010001

Pattern a) shall be used for $Q' = -1$, $DC = 0$, $Q = 1$; pattern b) for $Q' = 1$, $DC = 0$, $Q = 1$ (see Appendix G). Either pattern may be used when there is no preceding pattern, and hence no value of Q' .

12.2 Recorded Sub Data Block

A Recorded Sub Data Block shall consist of 360 Channel bits representing the 35 8-bit bytes of a Sub Data Block preceded by a Sync field of 10 Channel bits. The Channel bit pattern of this Sync field shall be the same as that specified in 12.1 for Recorded Main Data Blocks.

12.3 Margin Blocks, Preamble Blocks and Postamble Blocks

These blocks shall have a length of 360 Channel bits consisting of the repeated Channel bit pattern 111.

12.4 Spacer Blocks

These blocks shall have a length of 360 Channel bits consisting of the repeated Channel bit pattern 100.

13. FORMAT OF A TRACK

13.1 Track Capacity

Each track shall consist of 196 Recorded Blocks. In the following description of the track layout ATF designates a particular type of Recorded Block specified in 13.2 after the complete description of the track layout.

A track consists of seven zones, the names and contents of which are shown in Table 9.

| Zone | Contents | Number of Blocks |
|---------------|---|------------------|
| Margin Zone 1 | Margin Blocks | 11 |
| Sub Zone 1 | Preamble Blocks Rec. Sub Data Blocks Postamble Blocks | 2 8 1 |
| ATF Zone 1 | Spacer Blocks ATF Blocks Spacer Blocks | 3 5 3 |
| Main Zone | Preamble Blocks Rec. Main Data Blocks | 2 128 |
| ATF Zone 2 | Spacer Blocks ATF Blocks Spacer Blocks | 3 5 3 |
| Sub Zone 2 | Preamble Blocks Rec. Sub Data Blocks Postamble Blocks | 2 8 1 |
| Margin Zone 2 | Margin Blocks | 11 |

Sequence
of
recording
↓

↑
196
↓

Table 9 - Format of a track

13.2 Positioning Accuracy

The position of the start of the 99th block of a track, in a direction perpendicular to the Tape Reference Edge, shall be within 0,0267 mm from the ideal tape centreline. This is equivalent to 2 blocks along the track.

In addition, the positions of the starts of the 99th blocks of any pair of adjacent tracks shall not differ by more than 9,33 µm. This is equivalent to 0,7 blocks along the tracks.

13.3 Tracking Scheme

Tracking is achieved by the automatic track finding (ATF) method. ATF Blocks are allocated to two zones of a track: the ATF Zone 1 and the ATF Zone 2 preceding and following the Main Zone, respectively. ATF Blocks are preceded and followed by three Spacer Blocks and consist of 360 Channel bits.

Each ATF Zone consists of a combination of four signals having different Channel bit patterns recorded at different physical recording densities. These signals are:

ATF Pilot Signal f_1

Repeated pattern: 1 followed by 35 ZEROs
density: 83,4 ftpmm

ATF Sync Signal f_2 or f_3

Repeated pattern f_2 : 100000000
density: 333,4 ftpmm

Repeated pattern f_3 : 100000
density: 500,4 ftpmm

- ATF Sync Signal f_2 shall be recorded only on positive azimuth tracks.
- ATF Sync Signal f_3 shall be recorded only on negative azimuth tracks.
- ATF Sync Signals, whether f_2 or f_3 , shall have a length of 180 Channel bits on even numbered frames and of 360 Channel bits on odd numbered frames.

ATF Space Signal f_4

Repeated pattern: 100
density: 1001 ftpmm

The allocation of ATF signals to tracks is shown in Fig. 45. In this figure "spacer" stands for three Spacer Blocks and "Main Zone" for 130 recorded blocks. This allocation of ATF signals is repeated every four tracks and is dependent on Frame Number (see 9.3.4.1.1).

NOTE 8

An example of a tracking error detection algorithm is as follows:

First the frequency and length of the ATF Sync Signal is detected. This is followed by sampling a crosstalk from the ATF Pilot Signal of an adjacent track. A fixed period later, the crosstalk signal from the ATF Pilot Signal of the other adjacent track is sampled. The tracking error is the difference between the levels of those two crosstalk signals.

14. MAGNETIC TAPE LAYOUT

The layout of the magnetic tape consists of six areas:

- the Device Area
- the Reference Area
- the System Area
- the Data Area
- the EOD Area
- the Post-EOD Area

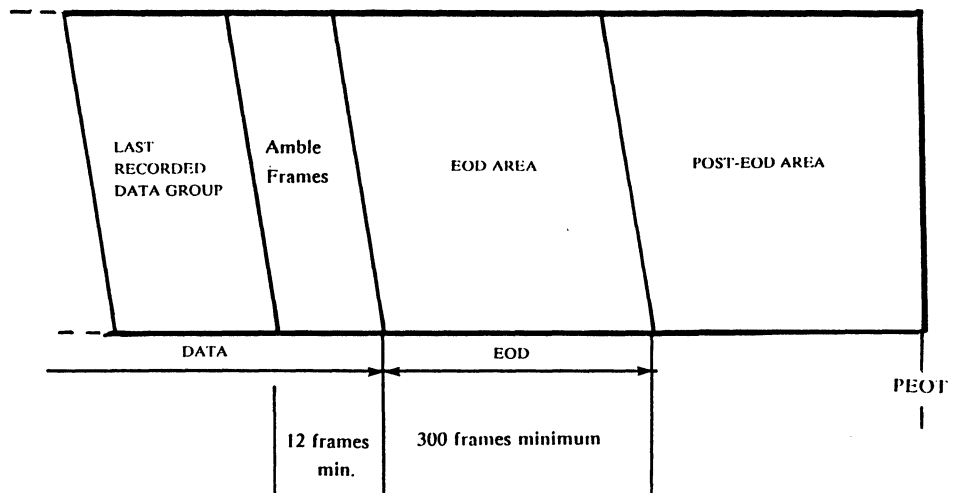
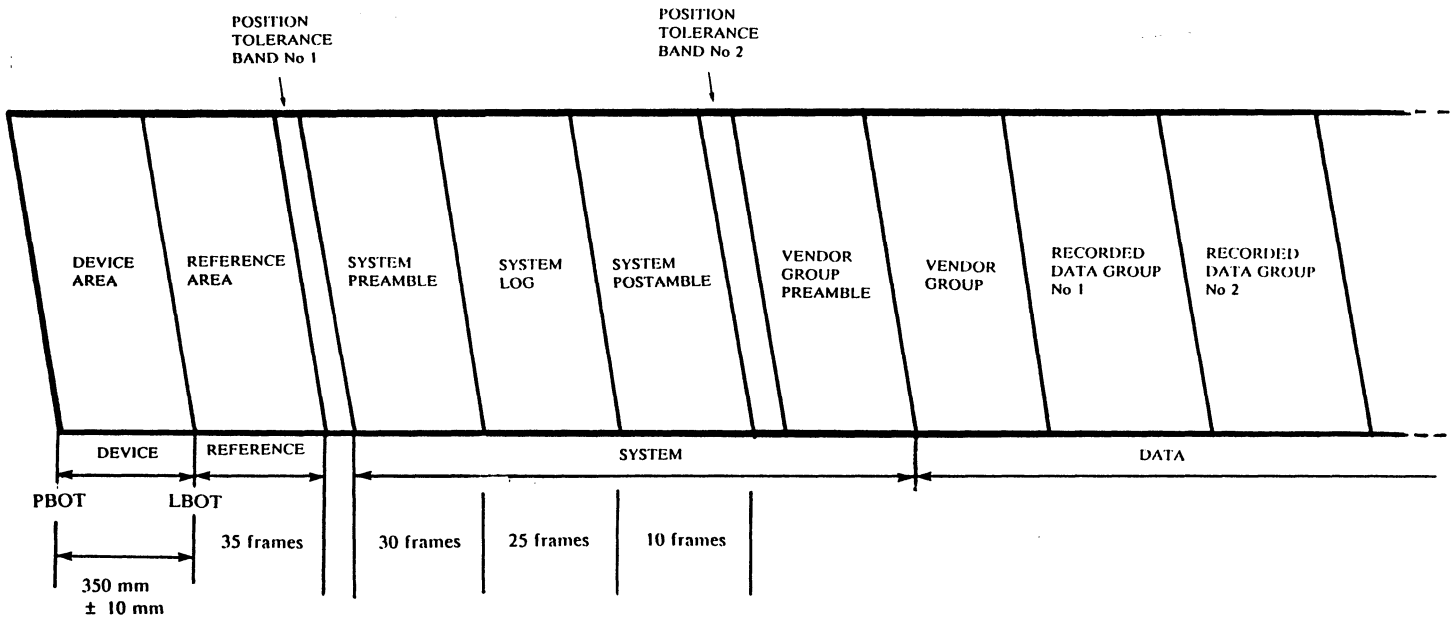


Fig. 46 - Magnetic Tape Layout

14.1 Device Area

The first area on the magnetic tape is the Device Area. It shall extend from the PBOT to the LBOT and have a length of 350 mm \pm 10 mm. It shall not be used for writing data for interchange purposes. It shall consist of three zones: a spin-up zone, a test zone and a guard zone.

The first zone of the Device Area is a spin-up zone. It is the part of the tape which is wrapped around the drum when the tape is loaded into the drive.

The spin-up zone shall be followed by a test zone available for read/write purposes. The contents of these two zones are not specified by this Standard. However, if a track in these zones complies with the track format of Table 9 the Area ID field of the Sub Data Blocks shall be set to 0000.

The test zone shall be followed by a guard zone of length 9 mm minimum, in which no recording is permitted.

14.2 Reference Area

This area shall consist of 35 Tape Management frames (see 16.3), of which the first starts at LBOT and has an Absolute Frame Number of 1. The Reference Area is used as the physical reference when updating the System Log.

14.3 Position Tolerance Band No. 1

This band shall have a nominal length equivalent to five frames, with a minimum length of zero and a maximum length of 10 frames. It is used to accommodate the positioning tolerances when updating the System Log. Discontinuities and repetitions of the Absolute Frame Number may occur in this band. The recorded signals may be ill-defined in this band.

14.4 System Area

This area shall consist of the System Preamble, System Log, System Postamble, Position Tolerance Band No. 2, and the Vendor Group Preamble.

14.4.1 System Preamble

The System Preamble shall consist of 30 Tape Management frames (see 16.3), having the Absolute Frame Numbers 41 to 70.

14.4.2 System Log

The System Log shall consist of 25 System Log frames (see 16.2), having the Absolute Frame Numbers 71 to 95.

NOTE 10

The history data in the System Log cannot be relied upon to be always accurate, because drives cannot update the log if the Write-Inhibit Hole is open. It may also be destroyed during initialisation (see 14.9).

14.4.3 System Postamble

The System Postamble shall consist of 10 Tape Management frames, having the Absolute Frame Numbers 96 to 105.

NOTE 11

It is recommended that the continuum comprising the System Preamble, System Log and System Postamble be written in a continuous motion when the System Log is updated.

14.4.4 Position Tolerance Band No. 2

This band shall have a nominal length equivalent to 15 frames. Its actual length depends on the actual length of the Position Tolerance Band No. 1 and on the actual position of the first

frame of the Vendor Group Preamble, and hence may vary from 0 to 30 frames. Discontinuities and repetitions of the Absolute Frame Number may occur in this band. The recorded signals may be ill-defined in this band.

14.4.5 Vendor Group Preamble

The Vendor Group Preamble shall consist of 30 Tape Management frames having the Absolute Frame Numbers 121 to 150. The Vendor Group Preamble shall immediately precede the Vendor Group and be contiguous with it.

14.5 Data Area

This area shall consist of the Vendor Group and one or more Recorded Data Groups. A frame in the Data Area shall be either an Amble Frame (see 16.1) or, within a Recorded Data Group, a recorded representation of a Sub-Group. A Logical Frame Number is allocated to each frame. The Logical Frame Number of an Amble Frame is zero. The Logical Frame Number of a frame within a Recorded Data Group is the number of the Sub-Group it represents. It is expressed by bits 1 to 6 of the Logical Frame ID (see 9.3.2.1.3).

The last Recorded Data Group shall be followed by at least 12 Amble Frames which are contiguous with it.

14.5.1 Vendor Group

A Vendor Group is the recorded instance of Basic Group No. 0, the content of which is not specified by this Standard (see Appendix M). The Vendor Group is formed from the bytes of that Basic Group by applying the operations described in 9.3 and 9.4 and recording the resulting frames. The first of these frames shall have the Absolute Frame Number 151.

In addition none or either or both of two further operations, namely ECC3 (see 14.5.3) and Repeated Frames (see 14.5.5) may be applied.

No unrecorded space or physical discontinuity or seam or Absolute Frame Number discontinuity or repetition may occur within a Vendor Group.

14.5.2 Recorded Data Group

Each Recorded Data Group is a recorded instance of a Basic Group, and is formed from the data sent from a host computer by applying the operations described in clause 9 and recording the resulting frames.

In addition, none or any combination of three further operations may be applied. These are ECC3 (see 14.5.3), Multiple Recorded Instances (see 14.5.4) and Repeated Frames (see 14.5.5). No unrecorded space or physical discontinuity or seam or Absolute Frame Number discontinuity or repetition may occur within a Recorded Data Group.

14.5.3 ECC3

The Error Correction Code 3 has the capability of correcting any two tracks which are bad in a Recorded Data Group. The ECC3 data is derived from the 22 G1 Sub-Groups of the Basic Group to form a 23rd G1 Sub-Group. It uses the following Reed-Solomon code:

$$GF(2^8) (46, 44, 3)$$

The calculation on $GF(2^8)$ is defined by the following polynomial:

$$g(x) = x^8 + x^4 + x^3 + x^2 + 1 \quad \alpha = (00000010)$$

The parity check matrix is as follows:

$$\begin{bmatrix} 1 & 1 & 1 & \dots & 1 & 1 & 1 \\ \alpha^{45} & \alpha^{44} & \alpha^{43} & \dots & \alpha^2 & \alpha & 1 \end{bmatrix}$$

$$\begin{bmatrix} D_{8N+2(M+1)+L,1} \\ D_{8N+6M+L,1} \\ D_{8N+2(M+1)+L,2} \\ D_{8N+6M+L,2} \\ \vdots \\ \vdots \\ D_{8N+6M+L,22} \\ P_{8N+2(M+1)+L,23} \\ Q_{8N+6M+L,23} \end{bmatrix}$$

$N = 0,1,2, \dots, 719$
 $M = 0,1 (N = 0, \dots, 718);$
 $M = 0 (N = 719)$
 $L = 0,1$

$D_{x,y}$ x = User data bytes number in a G1 Sub-Group

$P_{x,y}$ x = Parity byte number in the ECC3 G1 Sub-Group y = G1 Sub-Group number

$Q_{x,y}$ x = Parity byte number in the ECC3 G1 Sub-Group

The ECC3 G1 Sub-Group is transformed according to the procedure of 9.3 to form the Recorded Main Data Blocks of the two tracks of the ECC3 frame. As a result of this transformation, the P parity bytes are recorded in the first (i.e. positive azimuth) track of the ECC3 frame and the Q parity bytes are recorded in the second (i.e. negative azimuth) track of the ECC3 frame. The data recorded in the Sub Data Areas is obtained according to 9.4.

14.5.4 Multiple Recorded Instances

Each Basic Group, other than Basic Group No. 0, may be recorded in a sequence of contiguous instances. The maximum number of such instances shall be eight. Within a sequence of Recorded Data Groups which are derived from the same Basic Group the values of Frame Number (see 9.3.4.1.1), Position (see 9.4.1.1) and Absolute Frame Number (see 9.4.3.2 and 9.4.4.2) will be different. There will also be differences in the values of the Parity bytes computed from these. There may also be differences in the number of Repeated Frames (see 14.5.5) per Recorded Data Group in such a sequence.

14.5.5 Repeated Frames

In the Data Area, a frame within a Recorded Data Group may be repeated by rewriting it further along the tape. The repeated frame may be written after zero, one, two, three, four or five other frames have been written. Each such sequence (i.e. the original or repeated frame and the one, two, three, four or five following frames) can be repeated multiple times, e.g. to allow skipping over bad areas on the tape. The maximum number of instances of a sequence shall be 128, i.e. the original and up to 127 repetitions.

Intermediate frames, i.e. those frames written between the original frame and its next occurrence shall start with the frame the Logical Frame Number of which is the next in the normal sequence, and shall follow the correct sequence thereafter. The correct sequence requires successive frames to have Logical Frame Numbers which increment by one until the last frame

in the Recorded Data Group, or the ECC3 frame if present, after which they restart from zero (for an Amble Frame) or one (for the first frame of the next Recorded Data Group). Amble Frames are allowed in this sequence, provided the limit of five Intermediate Frames is not exceeded. The final occurrence of the repeated frame shall be followed by the Intermediate Frames written in the correct sequence.

14.5.6 Appending and Overwriting

When new data is appended to data already recorded on tape, or existing data is overwritten by new data, the point at which recording may start shall be referenced to the last frame (Frame A in Fig. 47) of a Recorded Data Group. If Multiple Recorded Instances of the last group exist, the relevant Recorded Data Group is the last in the sequence. If Repeated Frames have been recorded, the relevant frame is the last repetition of the last frame. The smallest unit of appending or overwriting is a Recorded Data Group.

NOTE 12

After overwriting commences, all data between the current recording point and PEOT is logically inaccessible.

The rules for appending and overwriting are identical. For simplicity, the following description refers only to appending.

Data may be appended to the tape by either the seamless or non-seamless methods. An appending operation may be described as seamless only if the appended tracks are placed so as to form a continuous sequence with the previous tracks. No track shall be partially overwritten to the point of being unreadable nor shall any gaps be left between tracks.

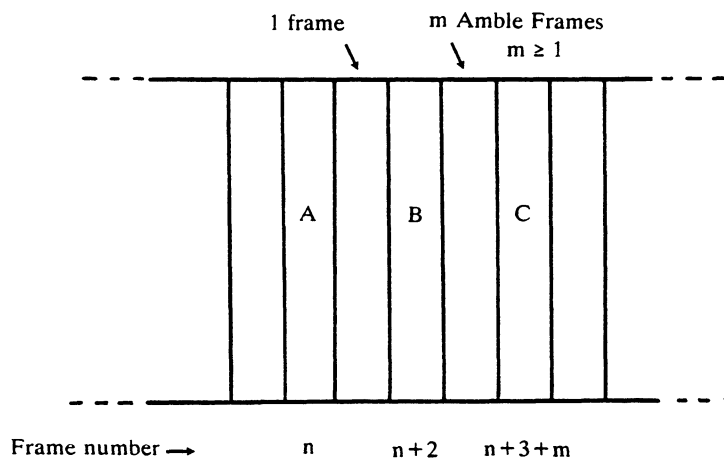


Figure 47 - Appending Rules

The frames up to and including frame A on Fig. 47 contain information which is to be retained. The append starts with Amble Frames at frame B and the information at frame C.

14.5.6.1 Seamless appending rules

Rule 1. There shall be one frame between frame A and frame B, i.e. if frame A has an Absolute Frame Number (AFN) of n , then frame B shall have an AFN of $n+2$.

Rule 2. The frame written between frames A and B shall be contiguous with frame A, i.e. no unrecorded space between A and B is permitted, nor is any discontinuity or repetition of AFNs, nor is any physical discontinuity. The Group Count of this frame shall be greater

than that of Frame A, unless this frame is an Amble Frame (see 16.1), in which case its Group Count shall be greater than, or equal to, that of Frame A. The content of this frame shall be ignored.

Rule 3. There shall be a minimum of one Amble Frame between frames B and C, i.e. if frame B has an AFN of $n+2$, then frame C shall have an AFN of $n+4$ minimum. No unrecorded space, physical discontinuity, or AFN discontinuity or repetition is allowed between frames B and C.

Rule 4. The position of the first track of frame B (AFN = $n+2$), as measured along the length of the tape at the point shown in Fig. 48, shall be at a distance of $x = 244,5 \mu\text{m} \pm 40,0 \mu\text{m}$ from the first track of the frame with AFN = $n+1$.

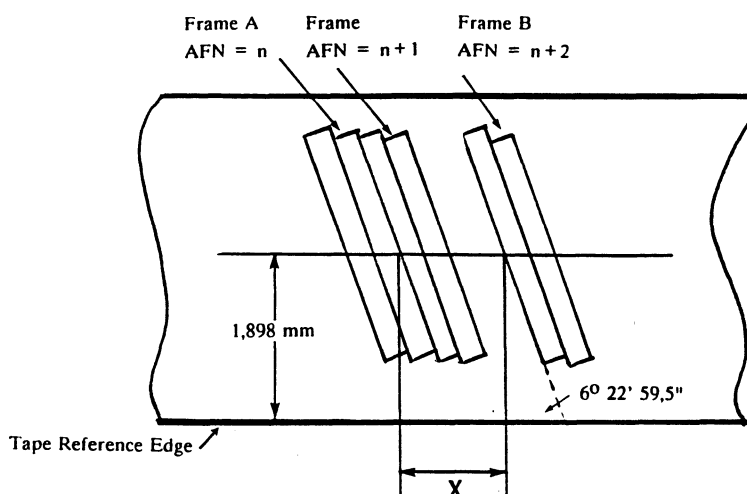


Figure 48 - Tolerance on seamless appending

14.5.6.2 Non-Seamless appending rules

Rule 1. The distance between frame A and frame B shall be sufficient for a minimum of one and a maximum of 11 frames. No unrecorded space is permitted between frame A and frame B. One or more frames between frame A and frame B may be ill-defined, e.g., as a result of partial overwriting at an append point.

Rule 2. Discontinuities and repetitions of AFN are permitted between frame A and frame B, provided that, where frame A has an AFN of n ,

- all frames have an AFN greater than n , and
- frame B has an AFN of $n+2$ minimum and $n+12$ maximum.

Rule 3. Amble Frames (see 16.1) between frame A and frame B shall have a value of Group Count which is equal to, or greater than, that of frame A. Other frames between frame A and frame B shall have a value of Group Count which is greater than that of frame A.

Rule 4. There shall be a minimum of 29 frames between frames B and C, i.e. if frame B has an AFN of $n+2 \leq n' \leq n+12$, then frame C shall have an AFN of $n'+30$ minimum. No unrecorded space, physical discontinuity or seam or AFN discontinuity or repetition is allowed between frames B and C.

14.6 EOD Area

The Data Area shall be followed by an EOD Area.

It shall consist of Tape Management Frames, and shall start after the last Amble Frame in the sequence of Amble Frames which follows the last Recorded Data group. If the length of tape between the last Amble Frame and PEOT is greater than or equal to 300 frames, the EOD Area shall consist of at least 300 frames. If the length of tape between the last Amble Frame and PEOT is less than 300 frames, the length of the EOD Area shall equal that length.

More than one EOD Area may exist on a tape. The EOD Area closest to LBOT shall be the only valid one for information interchange.

14.7 Post-EOD Area

If the end of the EOD Area is not coincident with PEOT, the EOD Area shall be followed by a Post-EOD Area which extends to PEOT. The contents of this Post-EOD Area are not defined for interchange.

14.8 Early Warning Point - EWP

For a new or bulk-erased tape the position of the EWP is calculated by the drive writing the tape. The calculation shall ensure that the EWP is not less than 500 mm before PEOT. Until data is recorded beyond the calculated EWP no indication of its position is recorded on the tape. When data is first recorded beyond the calculated EWP, the setting of the AEWP bit (see 9.2.2.1.9) changes from ZERO to ONE in the last Basic Group which is completely or partially recorded before that point. This changeover then denotes the position of the EWP when the tape is subsequently read.

For a tape containing data which is being overwritten, if the point at which overwriting commenced is before the EWP as defined prior to the commencement of overwriting, a new position of the EWP is calculated by the drive currently writing the tape. The calculation shall ensure that the EWP is not less than 500 mm before PEOT. When data is recorded beyond this calculated EWP, the setting of the AEWP bit (see 9.2.2.1.9) changes from ZERO to ONE in the last Basic Group which is completely or partially recorded before that point. This changeover then denotes the position of the EWP when the tape is subsequently read.

For a tape containing data which is being overwritten, if the AEWP bit changes from ZERO to ONE prior to the point at which overwriting commenced, the position of the EWP is denoted by that changeover, i.e. the AEWP bit is set to ONE in all overwriting groups.

14.9 Initialization

Initialization is a procedure which shall be carried out before the first use of a tape cartridge for recording user data (it may be also used at other times). The procedure ensures that there shall be no unrecorded space between LBOT and the end of the Vendor Group. The extent from LBOT to the end of the Vendor Group shall be written as a continuum in which the Position Tolerance Bands No. 1 and No. 2 shall have their nominal number of frames of 5 and 15 frames, respectively. The 5 Tape Management Frames in the Position Tolerance Band No. 1 shall have their Area ID set to the Reference Area ID (see 9.4.9.1.1).

NOTE 13

The tape layout is such that a separate initialization pass on a new or bulk-erased tape is not necessary prior to the recording of the first Recorded Data Group. The Reference Area, System Area and Vendor Group can be recorded at a time immediately prior to the recording of the first Recorded Data Group.

15. PARTITIONED TAPE

A magnetic tape shall be recorded as a Single Data Space tape or as a Partitioned tape. The organization of a Single Data Space tape is described in clause 14.

A Partitioned tape provides on one magnetic tape two independent partitions, each of which has a structure and properties similar to those of the recorded parts of a Single Data Space tape.

With the exception of the differences described hereafter, all of the foregoing descriptions of the recorded format shall apply to each partition of a Partitioned tape.

15.1 Overall Magnetic Tape Layout

The layout of a Partitioned tape shall consist of the Device Area, Partition 1 and Partition 0, which shall be located in that order from PBOT to PEOT.

15.1.1 Device Area

This area shall be identical with that of a Single Data Space tape.

15.1.2 Partition 1

15.1.2.1 Size of Partition 1

The total number of frames in Partition 1 shall be recorded in bytes No. 5 to No. 7 of Pack Items No. 3 and No. 4 in the System Area of Partition 1.

15.1.2.2 System Log

The data fields in Pack Items No. 5, No. 6, No. 7 and No. 8 in the System Log shall contain the sums of the values of the appropriate parameters pertaining to each partition. This log is therefore a history of use of the entire tape.

15.1.2.3 Virtual End of Tape (VEOT)

The VEOOT shall be a reference point at a distance equivalent to 300 frames before the partition boundary. This reference point is intended for use in a manner identical with that of PEOT on a Single Data Space tape, i.e. no recording shall occur within Partition 1 beyond VEOOT, except during initialization (see 15.5).

The space between VEOOT and the partition boundary shall contain Tape Management Frames which are identical with those of the EOD Area of Partition 1.

NOTE 14

After overwriting commences (see 14.5.6) in Partition 1, all data between the current recording point and VEOOT is logically inaccessible. Data in Partition 0 is unaffected.

15.1.2.4 Partition 1 Early Warning Point - EWP

Within an empty Partition 1 (see 15.4) the position of the EWP is calculated by the drive writing the tape. The calculation shall ensure that the EWP is not less than 2045 frames before VEOOT. Until data is recorded beyond the calculated EWP no indication of its position is recorded on the tape. When data is first recorded beyond the calculated EWP, the setting of the AEWP bit (see 9.2.2.1.9) changes from ZERO to ONE in the last Basic Group which is completely or partially recorded before that point. This changeover then denotes the position of the EWP when the tape is subsequently read.

For a Partition 1 containing data which is being overwritten, if the point at which overwriting commenced is before the EWP as defined prior to the commencement of overwriting, a new position of the EWP is calculated by the drive currently writing the tape. The calculation shall ensure that the EWP is not less than 2045 frames before VEOOT. When data is recorded beyond this calculated EWP, the setting of the AEWP bit (see 9.2.2.1.9)

changes from ZERO to ONE in the last Basic Group which is completely or partially recorded before that point. This changeover then denotes the position of the EWP when the tape is subsequently read.

For a partition 1 containing data which is being overwritten, if the AEWP bit changes from ZERO to ONE prior to the point at which overwriting commenced, the position of the EWP is denoted by that changeover, i.e. the AEWP bit is set to ONE in all overwriting groups in Partition 1.

NOTE 15

The length of tape occupied by 2045 frames is approximately 500 mm.

15.1.2.5 Post-EOD Area

If the end of the EOD Area occurs before VEOT, it shall be followed by a Post-EOD Area which extends to VEOT. This Post-EOD Area shall consist of recorded frames in which the Area ID (see 9.4.9.1.1) indicates Partition 1, but the contents of which are not otherwise specified for interchange.

15.1.3 Partition 0

15.1.3.1 LBOT

The LBOT is the partition boundary. The first frame after this point shall have the Absolute Frame Number of one.

15.1.3.2 System Log

The Load Count fields (bytes No. 2 and No. 3 in Pack Item No. 8) shall be set to all ZEROS.

15.2 Area ID

The most significant bit of the Area ID (see 9.4.9.1.1) shall be set to ONE for Partition 0 and to ZERO for Partition 1.

15.3 System Area Pack Items No. 3 and No. 4

In the System Area of Partition 0, bytes No. 5 to No. 7 of Pack Items No. 3 and No. 4 shall be set to all ONES.

15.4 Empty Partitions

On a Partitioned tape, of which only one partition contains Recorded Data Groups, the other Partition shall be regarded as empty.

An empty Partition 1 shall contain

- a Reference Area
- a System Area
- a Data Area, comprising a Vendor Group and at least 35 Amble Frames
- a minimum of 2345 Tape Management Frames identical with those of the EOD Area of Partition 1.

The Vendor Group Preamble, the Data Area and the following Tape Management Frames shall form a continuum which extends to the partition boundary and in which no unrecorded space, physical discontinuity or seam or Absolute Frame Number discontinuity or repetition is permitted.

An empty Partition 0 shall contain

- a Reference Area
- a System Area

- a Data Area, comprising a Vendor Group and at least 35 Amble Frames
- an EOD Area of length 300 Frames minimum.

The Vendor Group Preamble, the Data Area and the EOD Area shall form a continuum in which no unrecorded space, physical discontinuity or seam or Absolute Frame Number discontinuity or repetition is permitted.

15.5 Initialization of Partitioned Tapes

When a new or bulk-erased tape is to be used as a Partitioned tape, the recording of Recorded Data Groups starts in one partition, the other is empty. In order to define the position of the partition boundary, to ensure that the empty partition conforms to the requirements of 15.4, and to assist in efficient management of the tape position, it is convenient to perform an initialization pass prior to the first recording. Such initialization should write, as a continuum, empty Partitions 1 and 0 as defined above.

If an initialization pass is performed on a recorded tape, it may destroy all data thereon, including history data in the System Log(s).

16. HOUSEKEEPING FRAMES

Housekeeping frames shall not contain any user data, separators or Index. Data shall be recorded only in the Sub Data Area of each track, this data being dependent on the area of the magnetic tape where the housekeeping frame is recorded. The Recorded Main Data Blocks of each track shall be generated by forming a G1 Sub-Group in which each byte is set to all ZEROS and by applying the procedure of 9.3. The data recorded in the Sub Data Area is defined in 9.4.

There are three types of Housekeeping Frames, namely Amble Frames, System Log Frames and Tape Management Frames.

16.1 Amble Frames

Amble Frames are permitted only in the Data Area. Their Logical Frame Number shall be zero. The relevant data in their Sub Data Areas shall refer to the Basic Group which is represented by the preceding Recorded Data Group.

Amble Frames are not permitted within a Recorded Data Group, except within a run of Intermediate Frames (see 14.5.5), and are not permitted before the Vendor Group.

An Amble Frame shall be preceded only by another Amble Frame or the last frame of a Recorded Data Group, except at an append point (see 14.5.6.1 and 14.5.6.2).

16.2 System Log Frames

System Log Frames shall be recorded within the System Area and with Absolute Frame Numbers in the range 71 to 95. Log data on the history of the use of the tape shall be recorded in the Sub Data Area of each System Log Frame.

16.3 Tape Management Frames

Tape Management Frames shall be recorded only in

- i) the Reference Area,
- ii) the System area, except in the System Log,
- iii) the EOD AREA,
- iv) between VEOT and the partition boundary.

The Sub Data Area of a Tape Management Frame shall contain data only from Pack items No. 3 and No. 4.

SECTION V - APPENDICES

| | |
|--------------------|---|
| Appendix A: | Measurement of the Light Transmittance of the Prisms |
| Appendix B: | Recognition Holes |
| Appendix C: | Means to open the Lid |
| Appendix D: | Measurement of Light Transmittance of Tape and Leaders |
| Appendix E: | Measurement of Signal-to-Noise Ratio |
| Appendix F: | Method for determining the nominal and the maximum allowable Recorded Levels |
| Appendix G: | Representation of 8-bit Bytes by 10-bit Pattern |
| Appendix H: | Measurement of Bit Shift |
| Appendix J: | Recommendations for Transportation |
| Appendix K: | Method of Measuring Track Edge Linearity |
| Appendix L: | Read-After-Write |
| Appendix M: | Example of the Content of a Basic Group No 0 |

APPENDIX A

(This Appendix is Part of the Standard)

MEASUREMENT OF THE LIGHT TRANSMITTANCE OF THE PRISMS

- A.1** The following description outlines the measuring equipment and measuring method to be used for measuring the light transmittance of the prisms.

Transmittance is the ratio between the reading obtained from the measuring equipment with the cartridge in position and the reading obtained with a reference prism in position.

Transmittance of the cartridge prism:

$$\frac{P_c \text{ (Cartridge prism)}}{P_r \text{ (Reference prism)}} \times 100\%$$

- A.2** **Radiation Source**

An infra-red light-emitting diode (LED) with the following parameters shall be used:

Wavelength at peak emission: 850 nm \pm 50 nm

Half-power bandwidth: \pm 50 nm

- A.3** **Radiation Receiver**

A silicon photo diode shall be used. It shall be operated in the short-circuit mode.

- A.4** **Optical Assembly**

The optical assembly for testing the cartridge prisms shall be as shown in Fig. A.1. All surfaces shall be matt black. Both optical systems shall be calibrated using the reference prism mounted as in Fig. A.2.

All measurements shall be made in a dark room.

- A.5** **Reference Prism**

Transmittance: 95% for a wavelength of 850 nm \pm 50 nm

Dimensions: see Fig. A.3

- A.6** **Measuring Circuitry**

As described in Appendix D, D.2.6; switch S to be in position 0.

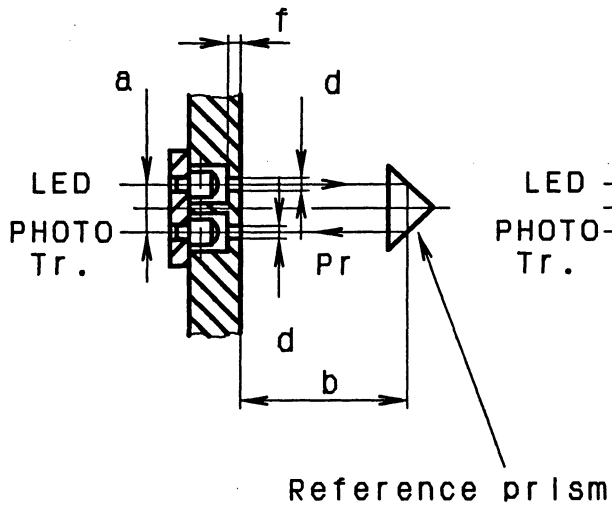


Fig. A.1 - Reference Prism

$a = 3,75 \text{ mm}$ $d = 1,00 \text{ mm}$
 $b = 13,00 \text{ mm}$ $e = 13,20 \text{ mm}$
 $c = 64,20 \text{ mm}$ $f = 1,00 \text{ mm}$

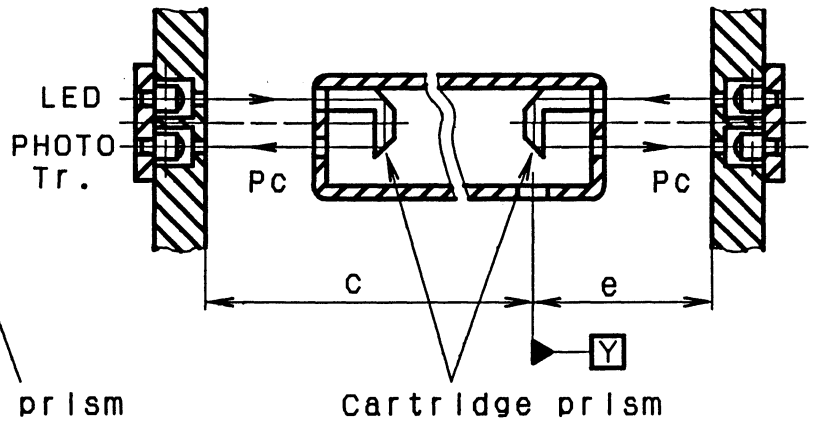


Fig. A.2 - Cartridge Prism

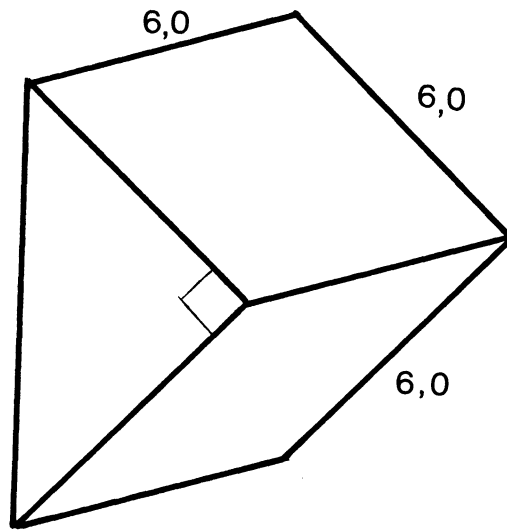


Fig. A.3 - Perspective view of the Reference Prism

APPENDIX B

(This Appendix is not Part of the Standard)

RECOGNITION HOLES

In future applications the case of the cartridge specified by this Standard may be loaded with different types of tape. In order to recognize these situations the following combinations of states of the Recognition Holes are recommended.

| Hole No | 1 2 3 4 | Type of tape |
|---------|---------|--|
| | 0 0 1 0 | Cleaning tape |
| | 0 0 1 1 | Pre-recorded 13 μ m thick tape with wider tracks |
| | 0 1 0 X | Thinner tape |
| | 0 1 1 1 | Pre-recorded thinner tape with wider tracks |

Table B.1 - Recognition Holes

- 1 = hole open
- 0 = hole closed
- X = hole open or closed

The remaining nine combinations are not yet allocated and should not be used.

APPENDIX C

(This Appendix is not Part of the Standard)

MEANS TO OPEN THE LID

- C.1** Fig. C.1 shows the bottom side of the case. The two square areas defined by dimension $a = 2$ mm are the contact areas where the force opening the lid is to be applied.
- C.2** Fig. C.2 and C.3 show an example of implementation. The drive in which the cartridge is introduced has two pins positioned so that their ends lie below the two areas shown in Fig. C.1 when the cartridge is inserted. When the cartridge is then pushed downwards (Fig. C.2) the pins open the lid completely (Fig. C.3).

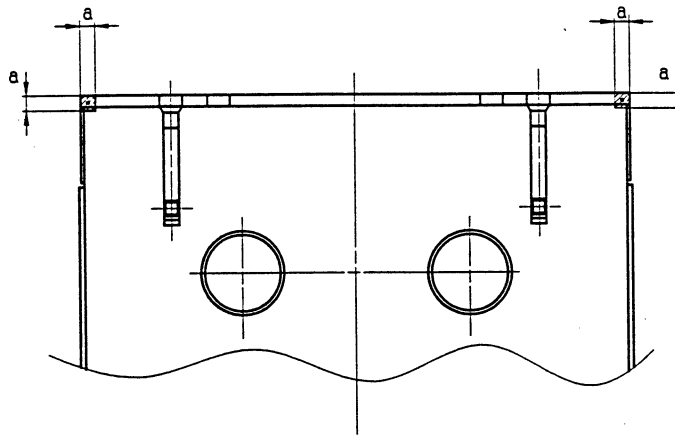


Fig. C.1 - Bottom side of the case

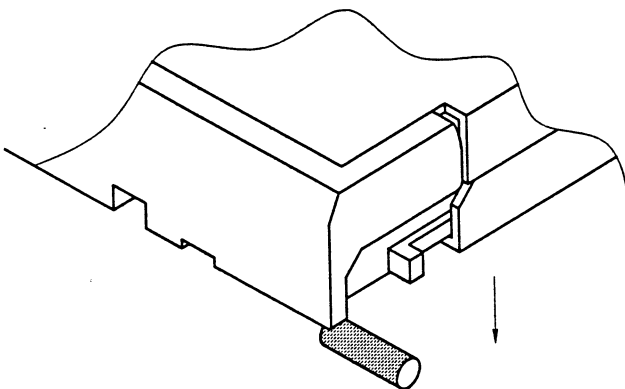


Fig. C.2 - Intermediate position within the drive

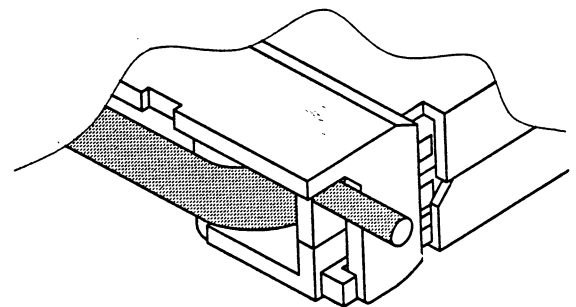


Fig. C.3 - Final position within the drive

APPENDIX D

(This Appendix is Part of the Standard)

MEASUREMENT OF LIGHT TRANSMITTANCE OF TAPE AND LEADERS

D.1 Introduction

The following description outlines the general principle of the measuring equipment and measuring method to be applied when measuring the light transmittance of tape.

For the purpose of this Standard "light transmittance" is defined by convention as the relationship between the reading obtained from the measuring equipment with the test piece inserted and the reading obtained when no test piece is present. The transmittance value is expressed as the percentage ratio of the two readings.

D.2 Description of the Measuring Equipment

The equipment shall consist of:

- the radiation source
- the radiation receiver
- the measuring mask
- the optical path
- the measuring circuitry.

D.2.3 Radiation Source

An infra-red light-emitting diode (LED) with the following parameters shall be used:

Wavelength at peak emission : 850 nm ± 50 nm

Half-power bandwidth : ± 50 nm

D.2.2 Radiation Receiver

A flat silicon photo diode shall be used. It shall be operated in the short circuit mode.

D.2.3 Measuring Mask

The measuring mask shall have a thickness of 2 mm and a circular aperture of diameter d such that the area is 80% to 100% of the active area of the photo diode.

The surface of the mask shall be matt black.

The test piece shall be held firmly against the mask to cover the aperture and to ensure that no ambient light leaks past.

D.2.4 Optical Path (Fig. D.1)

The optical path shall be perpendicular to the mask. The distance from the emitting surface of the LED to the mask shall be

$$L = \frac{d}{2 \tan \alpha}$$

where α is the angle where the relative intensity of the LED is equal to, or greater than, 95% of the maximum intensity of the optical axis.

D.2.5 Finish

The whole assembly shall be enclosed in a matt black case.

D.2.6 Measuring Circuitry (Fig. D.2)

The components of the measuring circuitry are:

- E : regulated power supply with variable output voltage
- R : current-limiting resistor
- LED : light-emitting diode
- Di : silicon photo diode
- A : operational amplifier
- R_{f0}, R_{f1} : feedback resistors
- S : gain switch
- V : voltmeter

The forward current of the LED, and consequently its radiation power, can be varied by means of the power supply E.

Di is operating in the short circuit mode.

The output voltage of the operational amplifier is given by

$$V_0 = I_k \times R_f \quad \text{where } I_k \text{ is the short-circuit current of Di.}$$

The output voltage is therefore a linear function of the light intensity.

R_{f0} and R_{f1} shall be low temperature-drift resistors with an accuracy of 1%. The following ratio applies

$$\frac{R_{f0}}{R_{f3}} = \frac{1}{20}$$

D.3 Measuring Method

D.3.1 Set switch S to position 0.

D.3.2 With no test piece mounted vary the supply voltage of E until voltmeter V reads full scale (100%).

D.3.3 Mount a leader or trailer tape on the mask. The reading of the voltmeter shall be in the range 60% to 100%.

D.3.4 Mount a test piece of magnetic tape on the mask. Set switch S to position 1. Full deflection of the voltmeter now represents a light transmittance of 5%.

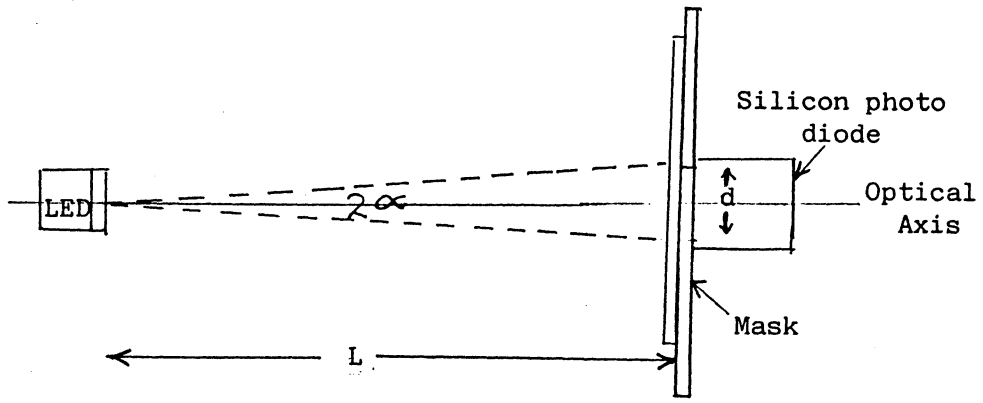


Fig. D.1 - Optical arrangement

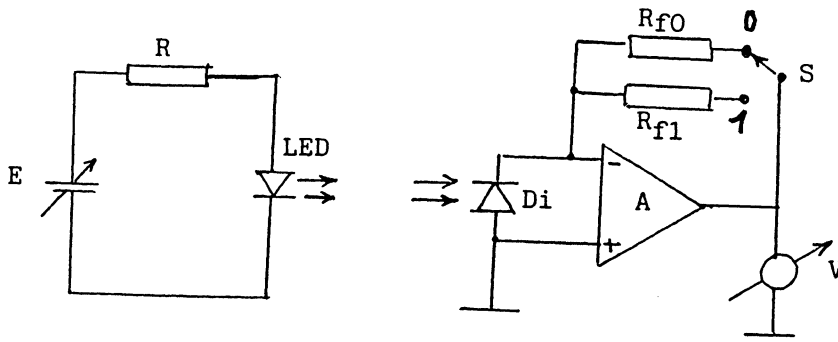


Fig. D.2 - Measuring circuitry

APPENDIX E

(This Appendix is Part of the Standard)

MEASUREMENT OF SIGNAL-TO-NOISE RATIO

The Signal-to-Noise Ratio shall be measured using a spectrum analyzer with a resolution bandwidth of 10 kHz.

Unless otherwise stated, the Test Conditions are those defined in Clause 8 of this Standard.

- E.1 AC erase the tape to be tested.
- E.2 Record the tape at 3002 ftpmm.
- E.3 Measure the Average Signal Amplitude (S_{tape}).
- E.4 Measure the total noise level (N_{total}) at 3,7 MHz.
- E.5 Measure the read channel noise level (N_{amp}) at 3,7 MHz without a tape loaded but with the motors running.

$$\text{Tape noise: } N_{\text{tape}} = \sqrt{N_{\text{total}}^2 - N_{\text{amp}}^2}$$

$\frac{N_{\text{amp}}}{N_{\text{tape}}}$ shall be less than 70%.

N_{tape}

The Signal-to-Noise Ratio is $20 \log \frac{S_{\text{tape}}}{N_{\text{tape}}}$ in dB

- E.6 Take the average of at least 64 successive tests to determine the Signal-to-Noise Ratio for the tape (S/N_{tape}).
- E.7 Repeat E.1 to E.6 for the Secondary Standard Reference Tape, to give S/N_{MSRT} .

The Signal-to-Noise Ratio Characteristic is

$$(S/N_{\text{tape}} - S/N_{\text{MSRT}}) \text{ dB}$$

APPENDIX F

(This Appendix is Part of the Standard)

METHOD FOR DETERMINING THE NOMINAL AND THE MAXIMUM ALLOWABLE RECORDED LEVELS

The following tests shall be carried out under the conditions defined in Clause 8 of this Standard.

F.1 Method for determining the Nominal Recorded Level

- F.1.1** Read the section of the Secondary Standard Amplitude Calibration Tape that has been recorded at 1501 ftpmm. Note the read output and apply the appropriate calibration factor.
- F.1.2** AC erase the Secondary Standard Reference Tape and record at 1501 ftpmm, increasing the write current from a low value until the output on read equals, after applying the appropriate calibration factor, the value noted in F.1.1.
- F.1.3** AC erase the interchange tape and record at 1501 ftpmm with the current determined in F.1.2. The read output from this tape is the Nominal Recorded Level for the physical recording density of 1501 ftpmm.
- F.1.4** Repeat F.1.1 to F.1.3 for the physical recording densities of 83,4 ftpmm, 333,6 ftpmm, 500,4 ftpmm and 1001 ftpmm.

F.2 Method for determining the Maximum Allowable Recorded Level

- F.2.1** AC erase the Secondary Standard Reference Tape and record at 1501 ftpmm, increasing the write current until the output on read equals, after applying the appropriate calibration factor, 118,9% of the value noted in F.1.1.
- F.2.2** AC erase the interchange tape and record at 1501 ftpmm with the current determined in F.2.1. The read output from this tape is the Maximum Allowable Recorded Level for the physical recording density of 1501 ftpmm.
- F.2.3** Repeat F.2.1 and F.2.2 for the physical recording densities of 333,6 ftpmm, 500,4 ftpmm and 1001 ftpmm.

F.3 Limits for the Recorded Levels

As a history of excessive recording levels can impair the operation of the recording system used in this Standard it is necessary to prescribe limits for the recording levels to which the tape has been subjected since the last bulk erasure and for the levels used when recording a tape for interchange. These levels are as follows:

At the physical recording density of 83,4 ftpmm:

- the Nominal Recorded Level.

At the physical recording densities of 333,6 ftpmm, 500,4 ftpmm, 1001 ftpmm and 1501 ftpmm:

- the Maximum Allowable Recorded Level.

NOTE F.1

It is recommended that a tape to be used for interchange should not have been previously recorded at levels higher than its Nominal Recorded Levels at the physical recording densities of 333,6 fipmm, 500,4 fipmm, 1001 fipmm and 1501 fipmm.

APPENDIX G

(This Appendix is Part of the Standard)

REPRESENTATION OF 8-BIT BYTES BY 10-BIT PATTERNS

G.1 The 8-bit bytes are represented with the most-significant bit to the left and the least significant bit to the right.

The 10-bit patterns are represented with the bit recorded first to the left and the bit recorded last to the right.

G.2 The magnetic recording system chosen requires that the DC level of the recorded signals be maintained near zero.

All 10-bit patterns are either balanced to zero or have a DC imbalance of 6:4 or 4:6.

Each 10-bit pattern is accompanied by an indicator Q which instructs the translator which of the two alternative patterns should be selected for the next 10-bit pattern in order to maintain the lowest DC level.

Q' is the DC information of the previous pattern.

Q is the DC information of the current pattern.

G.3 The left-hand column indicates the hexadecimal notation of the 8-bit byte for ease of search.

| Q' = - 1 | | | | Q' = 1 | | | |
|----------|---------------|---------------------------|----|--------|---------------------------|-----|-----|
| | 8-bit byte | 10-Channel bit pattern | DC | Q | 10-Channel bit pattern | DC | Q |
| 00 | 00000000 | 0101010101 | 0 | 1 | 0101010101 | 0 | - 1 |
| 01 | 00000001 | 0101010111 | 0 | - 1 | 0101010111 | 0 | 1 |
| 02 | 00000010 | 0101011101 | 0 | - 1 | 0101011101 | 0 | 1 |
| 03 | 00000011 | 0101011111 | 0 | 1 | 0101011111 | 0 | - 1 |
| 04 | 00000100 | 0101001001 | 0 | - 1 | 0101001001 | 0 | 1 |
| 05 | 00000101 | 0101001011 | 0 | 1 | 0101001011 | 0 | - 1 |
| 06 | 00000110 | 0101001110 | 0 | 1 | 0101001110 | 0 | - 1 |
| 07 | 00000111 | 0101011010 | 0 | 1 | 0101011010 | 0 | - 1 |
| 08 | 00001000 | 0101110101 | 0 | - 1 | 0101110101 | 0 | 1 |
| 09 | 00001001 | 0101110111 | 0 | 1 | 0101110111 | 0 | - 1 |
| 0A | 00001010 | 0101111101 | 0 | 1 | 0101111101 | 0 | - 1 |
| 0B | 00001011 | 0101111111 | 0 | - 1 | 0101111111 | 0 | 1 |
| 0C | 00001100 | 0101101001 | 0 | 1 | 0101101001 | 0 | - 1 |
| 0D | 00001101 | 0101101011 | 0 | - 1 | 0101101011 | 0 | 1 |
| 0E | 00001110 | 0101101110 | 0 | - 1 | 0101101110 | 0 | 1 |
| 0F | 00001111 | 0101111010 | 0 | - 1 | 0101111010 | 0 | 1 |
| 10 | 00010000 | 1101010010 | 0 | 1 | 1101010010 | 0 | - 1 |
| 11 | 00010001 | 0100010010 | 2 | - 1 | 1100010010 | - 2 | - 1 |
| 12 | 00010010 | 0101010010 | 0 | - 1 | 0101010010 | 0 | 1 |
| 13 | 00010011 | 0101110010 | 0 | 1 | 0101110010 | 0 | - 1 |
| 14 | 00010100 | 1101110001 | 2 | 1 | 0101110001 | - 2 | 1 |
| 15 | 00010101 | 1101110011 | 2 | - 1 | 0101110011 | - 2 | - 1 |
| 16 | 00010110 | 1101110110 | 2 | - 1 | 0101110110 | - 2 | - 1 |
| 17 | 00010111 | 1101110010 | 0 | - 1 | 1101110010 | 0 | 1 |
| 18 | 00011000 | 0101100101 | 2 | - 1 | 1101100101 | - 2 | - 1 |
| 19 | 00011001 | 0101100111 | 2 | 1 | 1101100111 | - 2 | 1 |
| 1A | 00011010 | 0101101101 | 2 | 1 | 1101101101 | - 2 | 1 |
| 1B | 00011011 | 0101101111 | 2 | - 1 | 1101101111 | - 2 | - 1 |
| 1C | 00011100 | 0101111001 | 2 | 1 | 1101111001 | - 2 | 1 |
| 1D | 00011101 | 0101111011 | 2 | - 1 | 1101111011 | - 2 | - 1 |
| 1E | 00011110 | 0101111110 | 2 | - 1 | 1101111110 | - 2 | - 1 |
| 1F | 00011111 | 0101101010 | 2 | - 1 | 1101101010 | - 2 | - 1 |
| 20 | 00100000 | 0111010101 | 0 | - 1 | 0111010101 | 0 | 1 |
| 21 | 00100001 | 0111010111 | 0 | 1 | 0111010111 | 0 | - 1 |
| 22 | 00100010 | 0111011101 | 0 | 1 | 0111011101 | 0 | - 1 |
| 23 | 00100011 | 0111011111 | 0 | - 1 | 0111011111 | 0 | 1 |
| 24 | 00100100 | 1111010001 | 2 | 1 | 0111010001 | - 2 | 1 |
| 25 | 00100101 | 1111010011 | 2 | - 1 | 0111010011 | - 2 | - 1 |
| 26 | 00100110 | 1111010110 | 2 | - 1 | 0111010110 | - 2 | - 1 |
| 27 | 00100111 | 0111011010 | 0 | - 1 | 0111011010 | 0 | 1 |
| 28 | 00101000 | 0111110101 | 0 | 1 | 0111110101 | 0 | - 1 |
| 29 | 00101001 | 0111110111 | 0 | - 1 | 0111110111 | 0 | 1 |
| 2A | 00101010 | 0111111101 | 0 | - 1 | 0111111101 | 0 | 1 |
| 2B | 00101011 | 0111111111 | 0 | 1 | 0111111111 | 0 | - 1 |
| 2C | 00101100 | 0111101001 | 0 | - 1 | 0111101001 | 0 | 1 |
| 2D | 00101101 | 0111101011 | 0 | 1 | 0111101011 | 0 | - 1 |
| 2E | 00101110 | 0111101110 | 0 | 1 | 0111101110 | 0 | - 1 |
| 2F | 00101111 | 0111111010 | 0 | 1 | 0111111010 | 0 | - 1 |
| 30 | 00110000 | 0111010010 | 0 | 1 | 0111010010 | 0 | - 1 |
| 31 | 00110001 | 1110010010 | 2 | - 1 | 0110010010 | - 2 | - 1 |
| 32 | 00110010 | 1111010010 | 0 | - 1 | 1111010010 | 0 | 1 |
| 33 | 00110011 | 1111110010 | 0 | 1 | 1111110010 | 0 | - 1 |
| 34 | 00110100 | 0111110001 | 2 | 1 | 1111110001 | - 2 | 1 |
| 35 | 00110101 | 0111110011 | 2 | - 1 | 1111110011 | - 2 | - 1 |
| 36 | 00110110 | 0111110110 | 2 | - 1 | 1111110110 | - 2 | - 1 |
| 37 | 00110111 | 0111110010 | 0 | - 1 | 0111110010 | 0 | 1 |

Q' = - 1

Q' = 1

| | 8-bit byte | 10 Channel bit pattern | DC | Q | 10 Channel bit pattern | DC | Q |
|----|------------|------------------------|----|-----|------------------------|-----|-----|
| 38 | 00111000 | 0111000101 | 2 | - 1 | 1111000101 | - 2 | - 1 |
| 39 | 00111001 | 0111000111 | 2 | 1 | 1111000111 | - 2 | 1 |
| 3A | 00111010 | 0111001101 | 2 | 1 | 1111001101 | - 2 | 1 |
| 3B | 00111011 | 0111001111 | 2 | - 1 | 1111001111 | - 2 | - 1 |
| 3C | 00111100 | 0111011001 | 2 | 1 | 1111011001 | - 2 | 1 |
| 3D | 00111101 | 0111011011 | 2 | - 1 | 1111011011 | - 2 | - 1 |
| 3E | 00111110 | 0111011110 | 2 | - 1 | 1111011110 | - 2 | - 1 |
| 3F | 00111111 | 0111001010 | 2 | - 1 | 1111001010 | - 2 | - 1 |
| 40 | 01000000 | 0100010101 | 2 | 1 | 1100010101 | - 2 | 1 |
| 41 | 01000001 | 0100010111 | 2 | - 1 | 1100010111 | - 2 | - 1 |
| 42 | 01000010 | 0100011101 | 2 | - 1 | 1100011101 | - 2 | - 1 |
| 43 | 01000011 | 0100011111 | 2 | 1 | 1100011111 | - 2 | 1 |
| 44 | 01000100 | 0101010001 | 2 | 1 | 1101010001 | - 2 | 1 |
| 45 | 01000101 | 0101010011 | 2 | - 1 | 1101010011 | - 2 | - 1 |
| 46 | 01000110 | 0101010110 | 2 | - 1 | 1101010110 | - 2 | - 1 |
| 47 | 01000111 | 0100011010 | 2 | 1 | 1100011010 | - 2 | 1 |
| 48 | 01001000 | 0100110101 | 2 | - 1 | 1100110101 | - 2 | - 1 |
| 49 | 01001001 | 0100110111 | 2 | 1 | 1100110111 | - 2 | 1 |
| 4A | 01001010 | 0100111101 | 2 | 1 | 1100111101 | - 2 | 1 |
| 4B | 01001011 | 0100111111 | 2 | - 1 | 1100111111 | - 2 | - 1 |
| 4C | 01001100 | 0100101001 | 2 | 1 | 1100101001 | - 2 | 1 |
| 4D | 01001101 | 0100101011 | 2 | - 1 | 1100101011 | - 2 | - 1 |
| 4E | 01001110 | 0100101110 | 2 | - 1 | 1100101110 | - 2 | - 1 |
| 4F | 01001111 | 0100111010 | 2 | - 1 | 1100111010 | - 2 | - 1 |
| 50 | 01010000 | 0100100101 | 0 | - 1 | 0100100101 | 0 | 1 |
| 51 | 01010001 | 0100100111 | 0 | 1 | 0100100111 | 0 | - 1 |
| 52 | 01010010 | 0100101101 | 0 | 1 | 0100101101 | 0 | - 1 |
| 53 | 01010011 | 0100101111 | 0 | - 1 | 0100101111 | 0 | 1 |
| 54 | 01010100 | 0100111001 | 0 | 1 | 0100111001 | 0 | - 1 |
| 55 | 01010101 | 0100111011 | 0 | - 1 | 0100111011 | 0 | 1 |
| 56 | 01010110 | 0100111110 | 0 | - 1 | 0100111110 | 0 | 1 |
| 57 | 01010111 | 0100101010 | 0 | - 1 | 0100101010 | 0 | 1 |
| 58 | 01011000 | 0110100101 | 0 | 1 | 0110100101 | 0 | - 1 |
| 59 | 01011001 | 0110100111 | 0 | - 1 | 0110100111 | 0 | 1 |
| 5A | 01011010 | 0110101101 | 0 | - 1 | 0110101101 | 0 | 1 |
| 5B | 01011011 | 0110101111 | 0 | 1 | 0110101111 | 0 | - 1 |
| 5C | 01011100 | 0110111001 | 0 | - 1 | 0110111001 | 0 | 1 |
| 5D | 01011101 | 0110111011 | 0 | 1 | 0110111011 | 0 | - 1 |
| 5E | 01011110 | 0110111110 | 0 | 1 | 0110111110 | 0 | - 1 |
| 5F | 01011111 | 0110101010 | 0 | 1 | 0110101010 | 0 | - 1 |
| 60 | 01100000 | 0010010101 | 0 | - 1 | 0010010101 | 0 | 1 |
| 61 | 01100001 | 0010010111 | 0 | 1 | 0010010111 | 0 | - 1 |
| 62 | 01100010 | 0010011101 | 0 | 1 | 0010011101 | 0 | - 1 |
| 63 | 01100011 | 0010011111 | 0 | - 1 | 0010011111 | 0 | 1 |
| 64 | 01100100 | 1010010001 | 2 | 1 | 0010010001 | - 2 | 1 |
| 65 | 01100101 | 1010010011 | 2 | - 1 | 0010010011 | - 2 | - 1 |
| 66 | 01100110 | 1010010110 | 2 | - 1 | 0010010110 | - 2 | - 1 |
| 67 | 01100111 | 0010011010 | 0 | - 1 | 0010011010 | 0 | 1 |
| 68 | 01101000 | 0010110101 | 0 | 1 | 0010110101 | 0 | - 1 |
| 69 | 01101001 | 0010110111 | 0 | - 1 | 0010110111 | 0 | 1 |
| 6A | 01101010 | 0010111101 | 0 | - 1 | 0010111101 | 0 | 1 |
| 6B | 01101011 | 0010111111 | 0 | 1 | 0010111111 | 0 | - 1 |
| 6C | 01101100 | 0010101001 | 0 | - 1 | 0010101001 | 0 | 1 |
| 6D | 01101101 | 0010101011 | 0 | 1 | 0010101011 | 0 | - 1 |
| 6E | 01101110 | 0010101110 | 0 | 1 | 0010101110 | 0 | - 1 |
| 6F | 01101111 | 0010111010 | 0 | 1 | 0010111010 | 0 | - 1 |

Q' = -1

Q' = 1

| | 8-bit byte | 10 Channel bit pattern | DC | Q | 10-Channel bit pattern | DC | Q |
|----|---------------|---------------------------|----|----|---------------------------|----|----|
| 70 | 01110000 | 0010010010 | 0 | 1 | 0010010010 | 0 | -1 |
| 71 | 01110001 | 1011010010 | 2 | -1 | 0011010010 | -2 | -1 |
| 72 | 01110010 | 1010010010 | 0 | -1 | 1010010010 | 0 | 1 |
| 73 | 01110011 | 1010110010 | 0 | 1 | 1010110010 | 0 | -1 |
| 74 | 01110100 | 0010110001 | 2 | 1 | 1010110001 | -2 | 1 |
| 75 | 01110101 | 0010110011 | 2 | -1 | 1010110011 | -2 | -1 |
| 76 | 01110110 | 0010110110 | 2 | -1 | 1010110110 | -2 | -1 |
| 77 | 01110111 | 0010110010 | 0 | -1 | 0010110010 | 0 | 1 |
| 78 | 01111000 | 0011100101 | 0 | 1 | 0011100101 | 0 | -1 |
| 79 | 01111001 | 0011100111 | 0 | -1 | 0011100111 | 0 | 1 |
| 7A | 01111010 | 0011101101 | 0 | -1 | 0011101101 | 0 | 1 |
| 7B | 01111011 | 0011101111 | 0 | 1 | 0011101111 | 0 | -1 |
| 7C | 01111100 | 0011111001 | 0 | -1 | 0011111001 | 0 | 1 |
| 7D | 01111101 | 0011111011 | 0 | 1 | 0011111011 | 0 | -1 |
| 7E | 01111110 | 0011111110 | 0 | 1 | 0011111110 | 0 | -1 |
| 7F | 01111111 | 0011101010 | 0 | 1 | 0011101010 | 0 | -1 |
| 80 | 10000000 | 1010010101 | 0 | 1 | 1010010101 | 0 | -1 |
| 81 | 10000001 | 1010010111 | 0 | -1 | 1010010111 | 0 | 1 |
| 82 | 10000010 | 1010011101 | 0 | -1 | 1010011101 | 0 | 1 |
| 83 | 10000011 | 1010011111 | 0 | 1 | 1010011111 | 0 | -1 |
| 84 | 10000100 | 1010001001 | 0 | -1 | 1010001001 | 0 | 1 |
| 85 | 10000101 | 1010001011 | 0 | 1 | 1010001011 | 0 | -1 |
| 86 | 10000110 | 1010001110 | 0 | 1 | 1010001110 | 0 | -1 |
| 87 | 10000111 | 1010011010 | 0 | 1 | 1010011010 | 0 | -1 |
| 88 | 10001000 | 1010110101 | 0 | -1 | 1010110101 | 0 | 1 |
| 89 | 10001001 | 1010110111 | 0 | 1 | 1010110111 | 0 | -1 |
| 8A | 10001010 | 1010111101 | 0 | 1 | 1010111101 | 0 | -1 |
| 8B | 10001011 | 1010111111 | 0 | -1 | 1010111111 | 0 | 1 |
| 8C | 10001100 | 1010101001 | 0 | 1 | 1010101001 | 0 | -1 |
| 8D | 10001101 | 1010101011 | 0 | -1 | 1010101011 | 0 | 1 |
| 8E | 10001110 | 1010101110 | 0 | -1 | 1010101110 | 0 | 1 |
| 8F | 10001111 | 1010111010 | 0 | -1 | 1010111010 | 0 | 1 |
| 90 | 10010000 | 1100100101 | 0 | 1 | 1100100101 | 0 | -1 |
| 91 | 10010001 | 1100100111 | 0 | -1 | 1100100111 | 0 | 1 |
| 92 | 10010010 | 1100101101 | 0 | -1 | 1100101101 | 0 | 1 |
| 93 | 10010011 | 1100101111 | 0 | 1 | 1100101111 | 0 | -1 |
| 94 | 10010100 | 1100111001 | 0 | -1 | 1100111001 | 0 | 1 |
| 95 | 10010101 | 1100111011 | 0 | 1 | 1100111011 | 0 | -1 |
| 96 | 10010110 | 1100111110 | 0 | 1 | 1100111110 | 0 | -1 |
| 97 | 10010111 | 1100101010 | 0 | 1 | 1100101010 | 0 | -1 |
| 98 | 10011000 | 1010100101 | 2 | -1 | 0010100101 | -2 | -1 |
| 99 | 10011001 | 1010100111 | 2 | 1 | 0010100111 | -2 | 1 |
| 9A | 10011010 | 1010101101 | 2 | 1 | 0010101101 | -2 | 1 |
| 9B | 10011011 | 1010101111 | 2 | -1 | 0010101111 | -2 | -1 |
| 9C | 10011100 | 1010111001 | 2 | 1 | 0010111001 | -2 | 1 |
| 9D | 10011101 | 1010111011 | 2 | -1 | 0010111011 | -2 | -1 |
| 9E | 10011110 | 1010111110 | 2 | -1 | 0010111110 | -2 | -1 |
| 9F | 10011111 | 1010101010 | 2 | -1 | 0010101010 | -2 | -1 |
| A0 | 10100000 | 1011010101 | 2 | 1 | 0011010101 | -2 | 1 |
| A1 | 10100001 | 1011010111 | 2 | -1 | 0011010111 | -2 | -1 |
| A2 | 10100010 | 1011011101 | 2 | -1 | 0011011101 | -2 | -1 |
| A3 | 10100011 | 1011011111 | 2 | 1 | 0011011111 | -2 | 1 |
| A4 | 10100100 | 1011001001 | 2 | -1 | 0011001001 | -2 | -1 |
| A5 | 10100101 | 1011001011 | 2 | 1 | 0011001011 | -2 | 1 |
| A6 | 10100110 | 1011001110 | 2 | 1 | 0011001110 | -2 | 1 |
| A7 | 10100111 | 1011011010 | 2 | 1 | 0011011010 | -2 | 1 |

Q' = - 1

Q' = 1

| | 8-bit byte | 10-Channel bit pattern | DC | Q | 10 Channel bit pattern | DC | Q |
|----|---------------|---------------------------|----|-----|---------------------------|-----|-----|
| A8 | 10101000 | 1011110101 | 2 | - 1 | 0011110101 | - 2 | - 1 |
| A9 | 10101001 | 1011110111 | 2 | 1 | 0011110111 | - 2 | 1 |
| AA | 10101010 | 1011111101 | 2 | 1 | 0011111101 | - 2 | 1 |
| AB | 10101011 | 1011111111 | 2 | - 1 | 0011111111 | - 2 | - 1 |
| AC | 10101100 | 1011101001 | 2 | 1 | 0011101001 | - 2 | 1 |
| AD | 10101101 | 1011101011 | 2 | - 1 | 0011101011 | - 2 | - 1 |
| AE | 10101110 | 1011101110 | 2 | - 1 | 0011101110 | - 2 | - 1 |
| AF | 10101111 | 1011111010 | 2 | - 1 | 0011111010 | - 2 | - 1 |
| | | | | | | | |
| B0 | 10110000 | 1101110101 | 0 | 1 | 1101110101 | 0 | - 1 |
| B1 | 10110001 | 1101110111 | 0 | - 1 | 1101110111 | 0 | 1 |
| B2 | 10110010 | 1101111101 | 0 | - 1 | 1101111101 | 0 | 1 |
| B3 | 10110011 | 1101111111 | 0 | 1 | 1101111111 | 0 | - 1 |
| B4 | 10110100 | 1101101001 | 0 | - 1 | 1101101001 | 0 | 1 |
| B5 | 10110101 | 1101101011 | 0 | 1 | 1101101011 | 0 | - 1 |
| B6 | 10110110 | 1101101110 | 0 | 1 | 1101101110 | 0 | - 1 |
| B7 | 10110111 | 1101111010 | 0 | 1 | 1101111010 | 0 | - 1 |
| | | | | | | | |
| B8 | 10111000 | 1011100101 | 0 | - 1 | 1011100101 | 0 | 1 |
| B9 | 10111001 | 1011100111 | 0 | 1 | 1011100111 | 0 | - 1 |
| BA | 10111010 | 1011101101 | 0 | 1 | 1011101101 | 0 | - 1 |
| BB | 10111011 | 1011101111 | 0 | - 1 | 1011101111 | 0 | 1 |
| BC | 10111100 | 1011111001 | 0 | 1 | 1011111001 | 0 | - 1 |
| BD | 10111101 | 1011111011 | 0 | - 1 | 1011111011 | 0 | 1 |
| BE | 10111110 | 1011111110 | 0 | - 1 | 1011111110 | 0 | 1 |
| BF | 10111111 | 1011101010 | 0 | - 1 | 1011101010 | 0 | 1 |
| | | | | | | | |
| C0 | 11000000 | 1110010101 | 2 | 1 | 0110010101 | - 2 | 1 |
| C1 | 11000001 | 1110010111 | 2 | - 1 | 0110010111 | - 2 | - 1 |
| C2 | 11000010 | 1110011101 | 2 | - 1 | 0110011101 | - 2 | - 1 |
| C3 | 11000011 | 1110011111 | 2 | 1 | 0110011111 | - 2 | 1 |
| C4 | 11000100 | 1110001001 | 2 | - 1 | 0110001001 | - 2 | - 1 |
| C5 | 11000101 | 1110001011 | 2 | 1 | 0110001011 | - 2 | 1 |
| C6 | 11000110 | 1110001110 | 2 | 1 | 0110001110 | - 2 | 1 |
| C7 | 11000111 | 1110011010 | 2 | 1 | 0110011010 | - 2 | 1 |
| | | | | | | | |
| C8 | 11001000 | 1110110101 | 2 | - 1 | 0110110101 | - 2 | - 1 |
| C9 | 11001001 | 1110110111 | 2 | 1 | 0110110111 | - 2 | 1 |
| CA | 11001010 | 1110111101 | 2 | 1 | 0110111101 | - 2 | 1 |
| CB | 11001011 | 1110111111 | 2 | - 1 | 0110111111 | - 2 | - 1 |
| CC | 11001100 | 1110101001 | 2 | 1 | 0110101001 | - 2 | 1 |
| CD | 11001101 | 1110101011 | 2 | - 1 | 0110101011 | - 2 | - 1 |
| CE | 11001110 | 1110101110 | 2 | - 1 | 0110101110 | - 2 | - 1 |
| CF | 11001111 | 1110111010 | 2 | - 1 | 0110111010 | - 2 | - 1 |
| | | | | | | | |
| D0 | 11010000 | 1101000101 | 2 | - 1 | 0101000101 | - 2 | - 1 |
| D1 | 11010001 | 1101000111 | 2 | 1 | 0101000111 | - 2 | 1 |
| D2 | 11010010 | 1101001101 | 2 | 1 | 0101001101 | - 2 | 1 |
| D3 | 11010011 | 1101001111 | 2 | - 1 | 0101001111 | - 2 | - 1 |
| D4 | 11010100 | 1101011001 | 2 | 1 | 0101011001 | - 2 | 1 |
| D5 | 11010101 | 1101011011 | 2 | - 1 | 0101011011 | - 2 | - 1 |
| D6 | 11010110 | 1101011110 | 2 | - 1 | 0101011110 | - 2 | - 1 |
| D7 | 11010111 | 1101001010 | 2 | - 1 | 0101001010 | - 2 | - 1 |
| | | | | | | | |
| D8 | 11011000 | 1110100101 | 0 | - 1 | 1110100101 | 0 | 1 |
| D9 | 11011001 | 1110100111 | 0 | 1 | 1110100111 | 0 | - 1 |
| DA | 11011010 | 1110101101 | 0 | 1 | 1110101101 | 0 | - 1 |
| DB | 11011011 | 1110101111 | 0 | - 1 | 1110101111 | 0 | 1 |
| DC | 11011100 | 1110111001 | 0 | 1 | 1110111001 | 0 | - 1 |
| DD | 11011101 | 1110111011 | 0 | - 1 | 1110111011 | 0 | 1 |
| DE | 11011110 | 1110111110 | 0 | - 1 | 1110111110 | 0 | 1 |
| DF | 11011111 | 1110101010 | 0 | - 1 | 1110101010 | 0 | 1 |

| Q' = - 1 | | | | Q' = 1 | | | |
|---------------|---------------------------|----|-----|---------------------------|-----|-----|--|
| 8-bit byte | 10 Channel bit pattern | DC | Q | 10 Channel bit pattern | DC | Q | |
| E0 | 11100000 | 0 | 1 | 1111010101 | 0 | - 1 | |
| E1 | 11100001 | 0 | - 1 | 1111010111 | 0 | 1 | |
| E2 | 11100010 | 0 | - 1 | 1111011101 | 0 | 1 | |
| E3 | 11100011 | 0 | 1 | 1111011111 | 0 | - 1 | |
| E4 | 11100100 | 0 | - 1 | 1111001001 | 0 | 1 | |
| E5 | 11100101 | 0 | 1 | 1111001011 | 0 | - 1 | |
| E6 | 11100110 | 0 | 1 | 1111001110 | 0 | - 1 | |
| E7 | 11100111 | 0 | 1 | 1111011010 | 0 | - 1 | |
| E8 | 11101000 | 0 | - 1 | 1111110101 | 0 | 1 | |
| E9 | 11101001 | 0 | 1 | 1111110111 | 0 | - 1 | |
| EA | 11101010 | 0 | 1 | 1111111101 | 0 | - 1 | |
| EB | 11101011 | 0 | - 1 | 1111111111 | 0 | 1 | |
| EC | 11101100 | 0 | 1 | 1111101001 | 0 | - 1 | |
| ED | 11101101 | 0 | - 1 | 1111101011 | 0 | 1 | |
| EE | 11101110 | 0 | - 1 | 1111101110 | 0 | 1 | |
| EF | 11101111 | 0 | - 1 | 1111110101 | 0 | 1 | |
| F0 | 11110000 | 0 | - 1 | 1101010101 | 0 | 1 | |
| F1 | 11110001 | 0 | 1 | 1101010111 | 0 | - 1 | |
| F2 | 11110010 | 0 | 1 | 1101011101 | 0 | - 1 | |
| F3 | 11110011 | 0 | - 1 | 1101011111 | 0 | 1 | |
| F4 | 11110100 | 0 | 1 | 1101001001 | 0 | - 1 | |
| F5 | 11110101 | 0 | - 1 | 1101001011 | 0 | 1 | |
| F6 | 11110110 | 0 | - 1 | 1101001110 | 0 | 1 | |
| F7 | 11110111 | 0 | - 1 | 1101011010 | 0 | 1 | |
| F8 | 11111000 | 2 | - 1 | 0111100101 | - 2 | - 1 | |
| F9 | 11111001 | 2 | 1 | 0111100111 | - 2 | 1 | |
| FA | 11111010 | 2 | 1 | 0111101101 | - 2 | 1 | |
| FB | 11111011 | 2 | - 1 | 0111101111 | - 2 | - 1 | |
| FC | 11111100 | 2 | 1 | 0111111001 | - 2 | 1 | |
| FD | 11111101 | 2 | - 1 | 0111111011 | - 2 | - 1 | |
| FE | 11111110 | 2 | - 1 | 0111111110 | - 2 | - 1 | |
| FF | 11111111 | 2 | - 1 | 0111101010 | - 2 | - 1 | |

APPENDIX H

(This Appendix is part of the Standard)

MEASUREMENT OF BIT SHIFT

The tape to be measured shall have been written by the tape drive used for data interchange.

The tape shall have been written in any mode compatible with system operation.

H.1 Reading Equipment

The tape shall be read on any drive which supports a track linearity within $6,0 \mu\text{m}$ when measured according to Appendix K.

There are no absolute requirements placed on the output voltage of the head. However, the head design, the rotary transformer, the pre-amplifier and the head-to-tape speed shall be chosen so as to avoid problems due to a low signal-to-noise ratio.

- Read Head

Gap length $0,25 \mu\text{m} \pm 0,03 \mu\text{m}$

Track width $20 \mu\text{m} \pm 2 \mu\text{m}$

Angle of the head gap The gap in the head of positive azimuth shall make an angle of $+ 20^\circ 0' \pm 12'$ with the axis of the scanner.

The gap in the head of negative azimuth shall make an angle of $- 20^\circ 0' \pm 12'$ with the axis of the scanner.

- Read Channel

The overall frequency response of the head, the rotary transformer and the pre-amplifier, when tested with a wire placed close and parallel to the read gap, shall be within 2 dB in amplitude response and within 5° in phase response, of the transfer function specified below, over the frequency range corresponding to $1/94$ of the ONEs frequency to 1,5 times the ONEs frequency.

Note H.1

The transfer function is defined with the first-order low frequency cut-off point related to the coupling time-constant at the input to the pre-amplifier, and the second-order high frequency cut-off point related to the inductance and capacitance of the head, rotary transformer and pre-amplifier.

$$G(s) = \frac{K s^2 \omega_c^2}{\omega_a (s + \omega_b) (s^2 + \frac{\omega_c}{Q} s + \omega_c^2)}$$

Where:

$$K \geq 1$$

$$\omega_i = 2\pi f_i$$

f_a = ONEs frequency

$f_b \leq 1/94$ of the ONEs frequency

$f_c \geq 1,5$ times the ONEs frequency

$$0,7 \leq Q \leq 1,0$$

- Equalizer

The equalizer connected to the output of the pre-amplifier shall have the following characteristic.

$$G(s) = \frac{K \omega_L^4 s (s - \omega_p) (s^2 - \omega_I^2)}{(s + \omega_H) (s + \omega_p) (s^2 + \frac{\omega_I}{Q_I} s + \omega_I^2) (s^2 + \frac{\omega_L}{Q_1} s + \omega_L^2) (s^2 + \frac{\omega_L}{Q_2} s + \omega_L^2)}$$

Where:

$$K \geq 5$$

$$\omega_i = 2\pi f_i$$

$f_H = 1/200$ of the ONEs frequency

$f_p = 2/3$ of the ONEs frequency

$f_I = 1/4$ of the ONEs frequency

$f_L =$ ONEs frequency

$$Q_I = 0,12$$

$$Q_1 = 2,0$$

$$Q_2 = 0,5$$

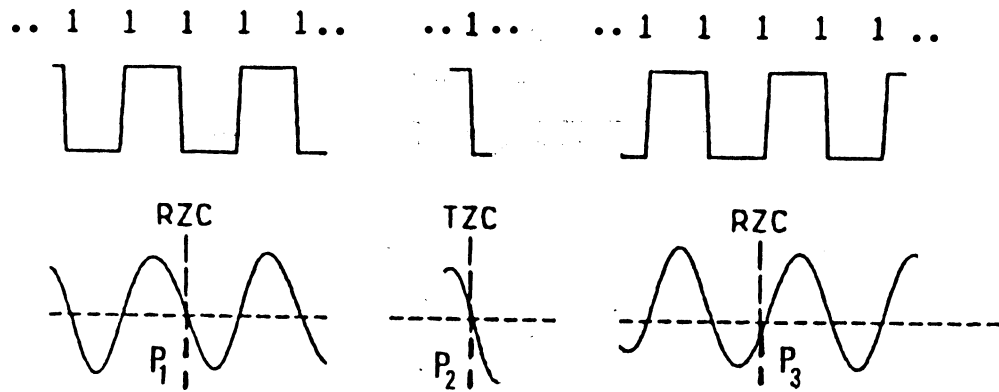
H.2 Measurement

The average bit cell length (L) is obtained from any pair of reference zero crossings (RZC) located on either side of the test zero crossing (TZC). A reference zero crossing is a ONE zero crossing with a least two adjacent ONE zero crossings on each side. The bits on either side of these ONE zero crossings can be either ZEROs or ONEs.

The RZCs shall not be more than 40 bit cells apart in order to keep the maximum error due to the rate of change below 2%.

The requirements for bit shift specified in 10.5 shall be met for any pattern of ZEROs and ONEs in the bit celles between TZC and RZCs.

H.3 Data Analysis



if n is the number of bit cells between reference zero crossings, the average bit cell length is:

$$L = \frac{P_3 - P_1}{n}$$

where:

P_n is the position of the n -th ONE zero crossing.

If there are m bit intervals between the first reference zero crossing and the test zero crossing, then:

$$\text{Bit shift in \%} = \frac{|mL - (P_2 - P_1)|}{L} \times 100$$

APPENDIX J

(This Appendix is not Part of the Standard)

RECOMMENDATIONS FOR TRANSPORTATION

J.1 Environment

It is recommended that during transportation the cartridges are kept within the following conditions:

| | |
|----------------------|--------------------|
| Temperature | : - 40 °C to 45 °C |
| Relative Humidity | : 5% to 80% |
| Wet Bulb Temperature | : 26 °C max. |

There shall be no condensation in or on the cartridge.

J.2 Hazards

Transportation of recorded cartridges involves three basic potential hazards.

J.2.1 Impact Loads and Vibration

The following recommendations should minimize damage during transportation.

- i) Avoid mechanical loads that would distort the cartridge shape.
- ii) Avoid dropping the cartridge more than 1 m.
- iii) Cartridges should be fitted into a rigid box containing adequate shock-absorbent material.
- iv) The final box must have a clean interior and a construction that provides sealing to prevent the ingress of dirt and water.
- v) The orientation of the cartridges within the final box should be such that the axes of the tape reels are horizontal.
- vi) The final box should be clearly marked to indicate its correct orientation.

J.2.2 Extremes of Temperature and Humidity

- i) Extreme changes in temperature and humidity should be avoided whenever possible.
- ii) Whenever a cartridge is received it should be conditioned in the operating environment for a period of at least 24 hours.

J.2.3 Effects of Stray Magnetic Fields

A nominal spacing of not less than 80 mm should exist between the cartridge and the outer surface of the shipping container. This should minimize the risk of corruption.

APPENDIX K

(This Appendix is part of the Standard)

METHOD OF MEASURING TRACK EDGE LINEARITY

K.1 Procedure

In order to measure the track edge linearity the following procedure shall be followed.

1. Identify the intersection of the track edge with a line parallel to the Tape Reference Edge and at a distance $d = 1,898$ mm from it.
2. Place a rectangular box of $8 \mu\text{m} \times 20,88$ mm centred on this intersection, and with its longitudinal axis at an angle $\alpha = 6^{\circ}22'59,5''$ with the Tape Reference Edge.

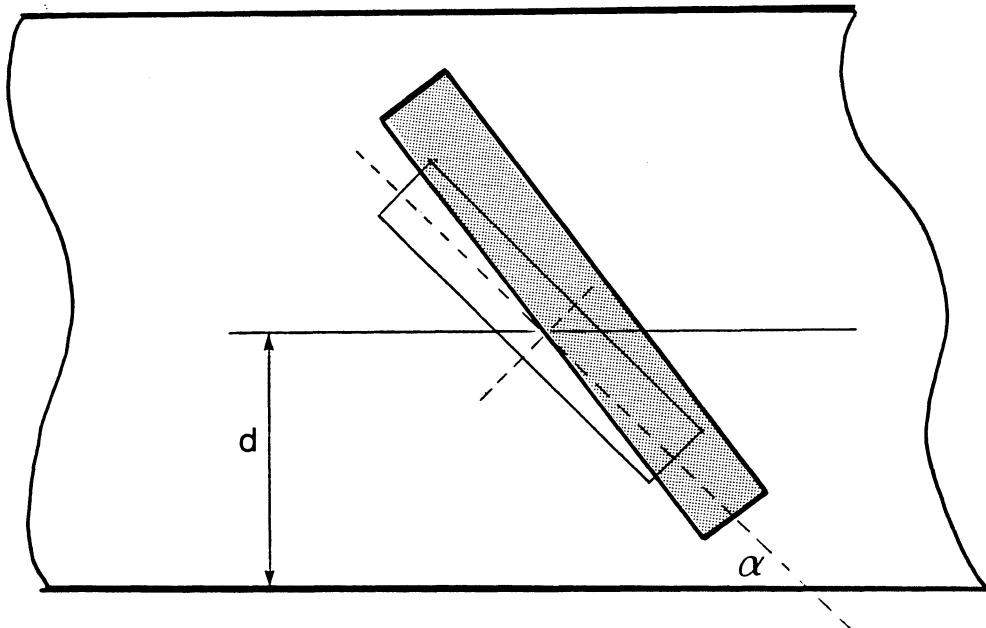


Fig. K.1 - Track edge linearity

K.2 Requirement

The track edge shall intersect the short sides of the box only.



APPENDIX L

(This Appendix is not part of the Standard)

READ-AFTER-WRITE

Read-After-Write (RAW) is a technique by which a frame is read immediately after being written, examined to determine if it was written successfully, and re-written if not. The unit of RAW is a frame. The RAW technique is applicable only in the Data Area of a tape, and is not applied to Amble Frames. Where RAW is applicable, it may be applied or not applied to individual frames, regardless of whether or not it is applied to other frames. When a frame is identified, during a Read-After-Write check, as having been unsuccessfully written, it is rewritten further along the tape, i.e. the original frame is not overwritten by the re-written frame.

The primary intent of the RAW check is the detection of frames containing errors of significant size and/or quantity, e.g. as caused by non-trivial media defects. Consequently, where RAW is applied it is not necessary that all channel bits be read correctly to avoid a re-write. Instead, the minimum requirement needs to be only that the quality of the recording and the quantity of correctly decoded data is such that the data of the entire frame is recoverable with sufficient margin for reliable data interchange.

The actual performance of a frame against this requirement can be assessed in a number of ways, for example by measuring the length, severity and/or distribution of missing pulses, counting the number of errors detected by C1 and/or C2, comparing written and read checksums, comparing written and read data on a sampled or full time basis.

Where a frame has been rewritten multiple instances of it will exist. It is possible that a subsequent read will successfully recover data from more than one instance of a frame. In such case, it is recommended that the last successfully recovered instance be used, since previous ones may have been considered unsuccessfully written.

APPENDIX M

(This Appendix is not part of the Standard)

EXAMPLE OF THE CONTENT OF A BASIC GROUP No.0

| Byte Position | Field Name | Description of Contents |
|---------------|---------------------------------|---|
| 1-128 | Name of Manufacturer | Name of the manufacturer of the drive that initialized or wrote the partition. |
| 129-160 | Model Number | Model number or identifier of the drive that initialized or wrote the partition. |
| 161-192 | Serial Number | Serial number assigned to the drive. |
| 193-224 | Revision Number | Revision numbers of drive components: 193-200 Sub-assembly 1 201-208 Sub-assembly 2 209-216 Sub-assembly 3 217-224 Sub-assembly 4 |
| 225-256 | Host Interface Type and Address | Type of host interface, e.g. SCSI and connection address. 225-240 Host Interface Type 241-256 Address |
| 257-272 | Date and Time YYMMDDHHMMSS | Date and time the partition was initialized 257-258 YY year = 1980 + YY 259-260 MM month 261-262 DD day 263-264 HH hour 265-266 MM minutes 267-268 SS seconds |
| 273-400 | Tape Label or Identifier | An indicator of the partition's content. |
| 401-5756 | Reserved | All bytes set to (00) |
| 5757-126632 | Manufacturer's data | Not specified |

Figure M.1 - Example of a Basic Group No.0

All entries in byte positions 1 to 400 shall be followed by (00) and the remainder of the field shall be padded with (00).

