

ECMA

Standardizing Information and Communication Systems

**Private Integrated Services Network
(PISN) -
Generic Functional Protocol for the
Support of Supplementary Services -
Inter-Exchange Signalling Procedures
and Protocol**

ECMA

Standardizing Information and Communication Systems

**Private Integrated Services Network
(PISN) -
Generic Functional Protocol for the
Support of Supplementary Services -
Inter-Exchange Signalling Procedures
and Protocol**

(QSIG-GF)

Brief History

This Standard is one of a series of ECMA Standards defining services and signalling protocols applicable to Private Integrated Services Digital Networks (PISNs). The series uses ISDN concepts as developed by ITU-T and conforms to the framework of International Standards on Open Systems Interconnection as defined by ISO/IEC. It has been produced under ITSTC work items M-IT-05 5.1.3 and M-IT-05 5.1.2.2 and under ETSI work items DE/ECMA-00045 and RE/ECMA-00118.

This particular Standard defines the signalling protocol for use at the Q reference point between two PINXs for the transport of protocol information as part of Supplementary Services and/or Additional Network Features (ANFs) within a PISN. The protocol defined in this Standard forms part of the PSS1 protocol (informally known as QSIG).

The generic functional procedures provide a flexible and open ended approach to the provision of supplementary service and ANF protocols. These procedures provide:

- generic protocols which may be utilised in the provision of supplementary services and ANFs, both related to existing calls and separate from existing calls where appropriate to the capability required;
- a dialogue identification protocol to enable supplementary service or ANF information flows to be tied together to form a dialogue;
- supplementary service and ANF transparency across a PISN, whereby transit PINXs need have no knowledge of the capability provided to the PISN user or PISN itself unless involved in the provision of that capability; and
- the capability for standardised and manufacturer specific capabilities to coexist in both single and multi-vendor PISNs.

The protocol defined in this Standard is based upon that described in ITU-T Recommendation Q.932 (1993).

This Standard is based upon the practical experience of ECMA member companies and the results of their active and continuous participation in the work of ISO/IEC JTC1, ITU-T, ETSI and other international and national standardization bodies. It represents a pragmatic and widely based consensus.

Compared to the 2nd Edition of Standard ECMA-165 (published by ECMA in June 1993), this 3rd Edition incorporates changes in order to achieve complete alignment with International Standard ISO/IEC 11582:1995(E) published by ISO/IEC in July 1995, including Defect Report 001.

Differences between this ECMA Standard and the ISO/IEC International Standard with which it is aligned are clearly identified.

List of corrected errata for ECMA-165

17 May 2000

Summary

Following is a summary of the errors detected and corrected in Standard ECMA-165, Private Integrated Services Network - Generic Functional Protocol for the Support of Supplementary Services - Inter-Exchange Signalling Procedures and Protocol.

Clause 7.3.1.9 Transport of APDUs associated with a Call independent signalling connection

The text in clause 7.3.1.9 is proposed to be replaced by the following text:

Corrected:

When requested by GFT-Control, the Facility information element may be sent in a call establishment or call clearing message (see clause 10) of the connection oriented, call independent signalling connection or in a FACILITY message during Active state of the connection oriented, call independent signalling connection.

Original:

Sub-clause 7.1.1 shall apply, with the exception that the term 'call' shall be interpreted as 'Call independent signalling connection'.

Clause 7.3.1.10 Protocol error handling

The text in the fourth bullet of clause 7.3.1.10 is proposed to be replaced by the following text:

Corrected:

- if a SETUP ACKNOWLEDGE, ALERTING, INFORMATION, DISCONNECT or PROGRESS message (defined in ECMA-143) is received in any state (except the Null state, where invalid call reference error procedures apply) it shall be treated as an unexpected or unrecognised message in accordance with 9.2.4 of ECMA-143.

Original:

- if a SETUP ACKNOWLEDGE, ALERTING, DISCONNECT or PROGRESS message (defined in ECMA-143) is received in any state (except the Null state, where invalid call reference error procedures apply) it shall be treated as an unexpected or unrecognised message in accordance with 9.2.4 of ECMA-143.

List of corrected errata for ECMA-165

21 August 1998

Summary

Following is a summary of the errors detected and corrected in Standard ECMA-165, Private Integrated Services Network - Generic Functional Protocol for the Support of Supplementary Services - Inter-Exchange Signalling Procedures and Protocol.

Cause 8.1.1 Inclusion of an Interpretation APDU at a Source PINX

- Add a clarifying note after the paragraph.

NOTE

Where two or more ROSE APDUs of type InvokePDU are to be sent simultaneously and the unrecognised InvokePDU handling requirements of each differs, the ROSE APDUs should be grouped in multiple Facility information elements, each with its own Interpretation APDU.

Annex B, table 38, sheet 2 of 3

- ASN.1 mistake in the definition of Address, replace the bracket ")" after the word OPTIONAL by a curly bracket "}"

Corrected:

```
Address ::= SEQUENCE {PartyNumber,
                      PartySubaddress OPTIONAL}
```

Original:

```
Address ::= SEQUENCE {PartyNumber,
                      PartySubaddress OPTIONAL)
```

- Wrong spelling of level1RegionalNumber in the definition of type PrivateTypeOfNumber.

Corrected:

```
PrivateTypeOfNumber ::= ENUMERATED {
    unknown (0),
    level2RegionalNumber (1),
    level1RegionalNumber (2),
    pISNSpecificNumber (3),
    localNumber (4),
    abbreviatedNumber (6)}
```

Original:

```
PrivateTypeOfNumber ::= ENUMERATED {
    unknown (0),
    level2RegionalNumber (1),
    level1RegionaNumber (2),
    pISNSpecificNumber (3),
    localNumber (4),
    abbreviatedNumber (6)}
```

Annex B, Clause B.3, Table 39

- value assignments for operations and errors are not in line with recommendation ITU-T X.208, insert “localValue” before the value.

Corrected:

pss1IeNotification	NOTIFICATION ARGUMENT ::= localValue 2001	PSS1InformationElement
END -- of Notification-macro		

Original:

pss1IeNotification	NOTIFICATION ARGUMENT ::= 2001	PSS1InformationElement
END -- of Notification-macro		

Annex F, Clause F.2, Table 44

- value assignment for the operation is not in line with recommendation ITU-T X.208, insert “globalValue” before the object identifier.

Corrected:

hypotheticalService	OPERATION ARGUMENT HypotheticalArgument RESULT HypotheticalResult ::= globalValue { iso(1) identified-organization(3) icd-ecma(0012) member-company(2) hypothetical-manufacturer(1999) hypothetical-manufacturer-service(1) }	
---------------------	--	--

Original:

hypotheticalService	OPERATION ARGUMENT HypotheticalArgument RESULT HypotheticalResult ::= { iso(1) identified-organization(3) icd-ecma(0012) member-company(2) hypothetical-manufacturer(1999) hypothetical-manufacturer-service(1) }	
---------------------	--	--

Annex F, Clause F.2, Table 45, definition of hypotheticalService

- value assignments for the operation is not in line with recommendation ITU-T X.208, insert “globalValue” before the object identifier.

Corrected:

	} ::= globalValue { iso standard hypothetical-standard(2222222) hypothetical-operation(10) }	
--	--	--

Original:

```
}  
::= { iso standard hypothetical-standard( 2222222)  
      hypothetical-operation( 10) }
```


Table of contents

1 Scope	1
2 Conformance	1
3 References (normative)	1
4 Definitions	2
4.1 External definitions	2
4.2 ACSE APDU	2
4.3 Additional Network Feature (ANF)	2
4.4 Adjacent PINX	2
4.5 Application Protocol Data Unit (APDU)	2
4.6 Call, Basic call	2
4.7 Call independent signalling connection	2
4.8 Call independent	2
4.9 Call related	2
4.10 Connection oriented	2
4.11 Connectionless	3
4.12 Coordination Function	3
4.13 Destination PINX	3
4.14 DSE APDU	3
4.15 Dialogue Service Element (DSE)	3
4.16 End PINX	3
4.17 Gateway PINX	3
4.18 Generic Functional Transport Control (GFT-Control) entity	3
4.19 Incoming side	3
4.20 Interpretation APDU	3
4.21 Inter-PINX link	3
4.22 Invocation	3
4.23 Link significance	3
4.24 Mistyped	3
4.25 Network significance	4
4.26 Next PINX	4
4.27 Notification	4
4.28 Originating PINX	4
4.29 Outgoing side	4
4.30 PINX address	4
4.31 Preceding PINX	4
4.32 Private Signalling System No.1	4
4.33 Protocol Control	4
4.34 ROSE APDU	4
4.35 Side	4
4.36 Signalling Carriage Mechanism (SCM)	4

4.37 Source PINX	4
4.38 Subsequent PINX	5
4.39 Supplementary service	5
4.40 Supplementary Services Control (SS-Control) entity	5
4.41 Terminating PINX	5
4.42 Terminal, Terminal Equipment	5
4.43 Transit PINX	5
4.44 Unrecognised	5
5 List of acronyms	5
6 General principles	6
6.1 Application Association	6
6.2 Protocol Model	6
6.3 Application of the protocol model to communication between SS-Control entities in non-Adjacent PINXs	8
6.4 Services provided by ROSE	9
6.5 Services provided by ACSE	9
6.6 Services provided by DSE	9
6.7 Services provided by GFT-Control	10
6.7.1 Connection oriented services	10
6.7.2 Connectionless transport services	11
6.7.3 Notification services	11
6.8 Services provided by Protocol Control to GFT-Control	12
6.8.1 Connection oriented transport services	12
6.8.2 Connectionless transport service	13
6.8.3 Notification services	13
6.9 Services required of the Signalling Carriage Mechanism	13
7 Protocol Control and GFT-Control Requirements	13
7.1 Call related Procedures for the transport of APDUs	13
7.1.1 Protocol Control requirements	13
7.1.2 GFT-Control requirements	14
7.2 Connectionless APDU Transport Mechanism	22
7.2.1 Protocol Control requirements	22
7.2.2 Control requirements	22
7.3 Connection oriented call independent APDU transport mechanism	23
7.3.1 Protocol Control requirements	23
7.3.2 Dynamic Description (SDL) of Connection oriented Protocol Control procedures	28
7.3.3 Generic Functional Transport Control requirements	36
7.4 Call related procedures for the transport of Notifications	39
7.4.1 Categories of notifications	39
7.4.2 Protocol Control requirements	39
7.4.3 GFT-Control requirements	39

8 Application layer requirements	40
8.1 Coordination Function requirements	40
8.1.1 Inclusion of an Interpretation APDU at a Source PINX	40
8.1.2 Handling of APDUs at a Destination PINX	40
8.2 ROSE requirements	41
8.3 ACSE requirements	41
8.4 DSE requirements	41
8.4.1 Actions at the PINX which initiates the dialogue (PINX A)	41
8.4.2 Actions at the PINX which terminates the dialogue (PINX B)	42
8.4.3 Dialogue Continuation in the Active State	42
8.4.4 Dialogue Protocol Timers	43
8.4.5 Error procedures relating to dialogue control	43
8.4.6 Example of a dialogue	43
8.4.7 Dynamic Description (SDL) of Dialogue Identification Protocol Procedures	44
8.5 SS-Control requirements	47
9 Manufacturer Specific Information	47
9.1 Manufacturer specific operations	47
9.2 Manufacturer specific additions to standardised operations	48
9.3 Manufacturer specific notifications	48
10 Message functional definitions and contents	49
10.1 ALERTING	49
10.2 CALL PROCEEDING	49
10.3 CONNECT	50
10.4 SETUP	50
10.5 DISCONNECT	50
10.6 RELEASE	50
10.7 RELEASE COMPLETE	51
10.8 FACILITY	51
10.9 NOTIFY	52
10.10 PROGRESS	52
11 General message format and information element coding	52
11.1 Message Type	52
11.2 Call reference	53
11.3 Other information elements	53
11.3.1 Bearer capability	53
11.3.2 Channel identification	54
11.3.3 Facility	54
11.3.4 Notification indicator	62
11.4 Encoding of information described using ASN.1	64
Annex A - Protocol Implementation Conformance Statement (PICS) for ECMA-165	65

Annex B - ASN.1 definitions of generic parameters	75
Annex C - Application of the functional protocol	79
Annex D - Remote operations protocol and application association control	87
Annex E - Formal ROSE Definitions	89
Annex F - Examples of the use of Manufacturer specific information	91
Annex G - Problem code definitions	95
Annex H - Bibliography	97
Annex I - Object identifiers defined in ECMA-165	99

1 Scope

This Standard defines the signalling protocol for the control of Supplementary Services and Additional Network Features (ANFs) at the Q reference point. The protocol is part of Private Signalling System no. 1 (PSS1), known informally as QSIG. The Q reference point exists between Private Integrated Services Network Exchanges (PINXs) connected together within a Private Integrated Services Network (PISN) and is defined in ISO/IEC 11579-1. Detailed procedures applicable to individual supplementary services and ANFs are beyond the scope of this Standard and will be specified by other standards for those services which are standardised and by individual manufacturers for proprietary services using the capabilities defined in this Standard.

ECMA-143 defines the Layer 3 protocol for circuit-switched call control at the Q reference point. This Standard defines additional protocol procedures, to be used in conjunction with those defined in ECMA-143 for the control of supplementary services and ANFs.

NOTE 1

Typical examples of the application of these generic functional procedures to some supplementary services are provided in annex C, for explanatory and illustrative purposes only.

NOTE 2

Specific supplementary services and Additional Network Features may require additional information transfer mechanisms which are service or feature specific and are beyond the scope of this Standard.

2 Conformance

In order to conform to this Standard, a PINX shall satisfy the requirements identified in the Protocol Implementation Conformance Statement (PICS) proforma in annex A.

3 References (normative)

The following standards contain provisions which, through reference in this text, constitute provisions of this Standard. All standards are subject to revision, and parties to agreements based on this Standard are encouraged to investigate the possibility of applying the most recent editions of the standards indicated below.

In the case of references to ECMA Standards that are aligned with ISO/IEC International Standards, the number of the appropriate ISO/IEC International Standard is given in brackets after the ECMA reference.

ECMA-142	Private Integrated Services Network - Circuit-mode 64 kbit/s bearer services - Service description, functional capabilities and information flows (International Standard ISO/IEC 11574)
ECMA-143	Private Integrated Services Network - Circuit mode bearer services - Inter-exchange signalling procedures and protocol (International Standard ISO/IEC 11572)
ECMA-225	Private Integrated Services Network - Inter-exchange signalling protocol - Transit Counter additional network feature (International Standard ISO/IEC 15056)
ISO/IEC 11571	Information technology - Telecommunications and information exchange between systems - Private integrated services network - Numbering and sub-addressing in private integrated services networks
ISO/IEC 11579-1	Information technology - Telecommunications and information exchange between systems - Private integrated services network - Part 1: Reference configuration for PISN Exchanges (PINX)
ITU-T Rec. I.112	Vocabulary of terms for ISDNs (1993)
ITU-T Rec. I.210	Principles of telecommunication services supported by an ISDN and the means to describe them (1993)
CCITT Rec. X.208	Specification of Abstract Syntax Notation One (ASN.1) (Blue Book) (1988)
CCITT Rec. X.209	Encoding Rules for Abstract Syntax Notation One (ASN.1) (Blue Book) (1988)

- CCITT Rec. X.217 Association control service definition for Open Systems Interconnection for CCITT Applications (Blue Book) (1988)
- CCITT Rec. X.219 Remote Operations Model, Notation and Service (Blue Book) (1988)
- CCITT Rec. X.227 Association control protocol specification for Open Systems Interconnection for CCITT Applications (Blue Book) (1988)
- CCITT Rec. X.229 Remote Operations Protocol Specification (Blue Book) (1988)

4 Definitions

For the purposes of this Standard, the following definitions apply:

4.1 External definitions

This Standard uses the following terms defined in other documents:

- Object Identifier (CCITT Rec. X.208)
- Private Integrated services Network Exchange (PINX) (ISO/IEC 11579-1)
- Private Integrated Services Network (ISO/IEC 11579-1)
- Service (ITU-T Rec. I.112)
- Signalling (ITU-T Rec. I.112)
- User (ECMA-142)

4.2 ACSE APDU

An APDU defined by the Association Control Service Element (ACSE).

4.3 Additional Network Feature (ANF)

A capability provided by a PISN, not generally directly to a User, over and above that of the Basic call.

4.4 Adjacent PINX

A PINX as considered from another PINX to which it is directly connected via one or more inter-PINX links.

4.5 Application Protocol Data Unit (APDU)

A sequence of data elements exchanged between peer application layer entities, e.g. ACSE APDUs, DSE APDUs and ROSE APDUs.

4.6 Call, Basic call

An instance of the use of a basic service.

4.7 Call independent signalling connection

A signalling connection established between SS-Control entities located in different PINXs that does not have an associated user-information connection.

4.8 Call independent

A property of information which is conveyed across the Q reference point in a message which does not use a call reference which has an associated user-information connection (that is, using a Connectionless or Connection oriented transport mechanism as defined in 7.2 or 7.3).

4.9 Call related

A property of information which is conveyed across the Q reference point in a message which uses a call reference which has an associated user-information connection.

4.10 Connection oriented

Communication between peer protocol entities by means of a connection or association established by an underlying layer.

4.11 Connectionless

Communication between peer protocol entities by means of an unacknowledged, unidirectional transport mechanism provided by an underlying layer.

4.12 Coordination Function

An entity which provides coordination between various SS-Control entities, ROSE, ACSE, DSE, GFT-Control and Call Control for different supplementary services (see clause 6).

4.13 Destination PINX

In the context of a single one-way exchange of information between two SS-Control entities, the PINX where the receiving SS-Control entity is located.

4.14 DSE APDU

An APDU defined by the Dialogue Service Element.

4.15 Dialogue Service Element (DSE)

A service element which provides services to SS-Control via the Coordination Function that associate ROSE or ACSE APDUs which are not implicitly associated by an underlying network layer connection.

4.16 End PINX

In the context of a particular call, an Originating or Terminating PINX. It can also be a Gateway PINX, dependent on the capabilities of the signalling system being interworked (i.e. unless it transports APDUs unchanged to or from the other signalling system).

4.17 Gateway PINX

Sub-clause 4.6 of ECMA-143 shall apply. Dependent on the capabilities of the signalling system being interworked by the Gateway PINX, it can act as a Transit or an End PINX in the context of the supplementary services APDUs. That is, it can either transport the APDUs unchanged to or from the other signalling system, perhaps embedded in some other protocol unit, or process the APDUs and perform an interworking function of the information flows and encoding of the supplementary service concerned.

4.18 Generic Functional Transport Control (GFT-Control) entity

The entity that exists within a PINX and provides a range of services (defined in clause 6) to SS-Control, ROSE, ACSE and DSE via the Coordination Function.

4.19 Incoming side

In the context of a Call independent signalling connection, the Side which receives the request for connection establishment from the Preceding PINX.

4.20 Interpretation APDU

An APDU defined by the Coordination Function.

4.21 Inter-PINX link

The totality of a signalling channel and a number (≥ 0) of user information channels (which may have different characteristics) at the Q reference point.

4.22 Invocation

A request by a SS-Control entity to perform an operation in a remote SS-Control entity.

4.23 Link significance

A property of a Facility information element which does not contain a Network Facility Extension octet group. It indicates that the element has only significance on a single inter-PINX link - i.e. only between two Adjacent PINXs.

4.24 Mistyped

A property of an APDU whose structure does not conform to the structure defined in clause 11 of this Standard or the structure defined for a particular supplementary service.

4.25 Network significance

A property of a Facility information element which includes a Network Facility Extension octet group. It indicates that the element has significance between two PINXs which are not necessarily Adjacent.

4.26 Next PINX

An Adjacent PINX to which an APDU is to be sent in the context of an existing signalling connection (related to a call or independent of a call).

4.27 Notification

A piece of protocol information which has the following properties:

- it is intended to be delivered only to terminals and is therefore passed on transparently by PINXs;
- it does not cause a change of state on either side of the Q reference point;
- it represents a one-way flow of information that requires no response; and
- it provides additional information that can be discarded without the need for significant error recovery if it is unrecognised by the terminal.

4.28 Originating PINX

Sub-clause 4.5 of ECMA-143 shall apply. In addition, the term is also applied to a PINX which originates a Call independent signalling connection.

4.29 Outgoing side

In the context of a Call independent signalling connection, the Side which sends the request for connection establishment to the Next PINX.

4.30 PINX address

A PISN number as defined in ISO/IEC 11571 that is a complete number and that unambiguously identifies the addressed PINX or an addressable entity associated with that PINX.

4.31 Preceding PINX

Sub-clause 4.7 of ECMA-143 shall apply. In addition, the term is also applied in a similar way to a PINX participating in a Call independent signalling connection.

4.32 Private Signalling System No.1

The generic name given to the signalling protocol that exists conceptually at the 'Q' reference point and is defined in this and other Standards. This protocol is visible and indirectly testable at the 'C' reference point (see ISO/IEC 11579-1).

4.33 Protocol Control

An entity which exists within a PINX and provides a range of services (defined in clause 6) to the Generic Functional Transport Control entity.

4.34 ROSE APDU

An APDU defined by the Remote Operations Service Element (ROSE).

4.35 Side

The Protocol Control entity within a PINX at one end of an inter-PINX link.

4.36 Signalling Carriage Mechanism (SCM)

The infrastructure that transports messages between Protocol Control entities in two interconnected PINXs.

4.37 Source PINX

In the context of a single one-way exchange of information between two SS-Control entities, the PINX where the sending SS-Control entity is located.

4.38 Subsequent PINX

Sub-clause 4.7 of ECMA-143 shall apply. In addition, the term is also applied in a similar way to a PINX participating in a Call independent signalling connection.

4.39 Supplementary service

Section 2.4 of ITU-T Recommendation I.210 shall apply.

For the purpose of this Standard, ANFs shall be regarded as supplementary services.

4.40 Supplementary Services Control (SS-Control) entity

An entity that exists within a PINX and provides the procedures associated with the support of a particular supplementary service.

4.41 Terminating PINX

Sub-clause 4.5 of ECMA-143 shall apply. In addition, the term is also applied to a PINX which terminates a Call independent signalling connection.

4.42 Terminal, Terminal Equipment

An item of equipment attached to a telecommunication network to provide access for a user to one or more services.

4.43 Transit PINX

Sub-clause 4.5 of ECMA-143 shall apply. In addition, the term is also applied to a PINX which participates in the provision of a Call independent signalling connection, but does not originate or terminate that connection.

4.44 Unrecognised

A property of a message, information element, APDU or operation value whose type identifier is not one supported by the Destination PINX.

5 List of acronyms

ACSE	Association Control Service Element
AE	Application Entity
ANF	Additional Network Feature
APDU	Application Protocol Data Unit
ASN.1	Abstract Syntax Notation One
BER	Basic Encoding Rules
DSE	Dialogue Service Element
DSS1	Digital Subscriber Signalling no. 1
FIE	Facility information element
GFT	Generic Functional Transport
ICD	International Code Designator
MSI	Manufacturer Specific Information
NFE	Network Facility Extension
PC	Protocol Control
PICS	Protocol Implementation Conformance Statement
PISN	Private Integrated Services Network
PINX	Private Integrated services Network Exchange
PSS1	Private Signalling System no. 1

RO	Remote Operations
ROSE	Remote Operations Service Element
RTSE	Reliable Transfer Service Element
SCM	Signalling Carriage Mechanism
SS	Supplementary Service

6 General principles

The generic functional protocol defined in this Standard provides the means to exchange signalling information for the control of supplementary services over a PISN. It does not by itself control any supplementary service but rather provides generic services to specific SS-Control entities. Procedures for individual supplementary services based on these generic procedures are defined in other standards or may be manufacturer-specific.

The generic functional protocol operates at the Q reference point between two PINXs in conjunction with a Layer 3 protocol for Basic call control (ECMA-143). Together these use the services of the Signalling Carriage Mechanism (SCM).

The generic functional protocol provides mechanisms for the support of supplementary services which relate to existing basic calls or are entirely independent of any existing basic calls. In performing a supplementary service, whether Call independent or Call related, use may be made of both the Call related (7.1) and Call independent (7.2 and 7.3) information transfer procedures.

If a particular supplementary service comprises Call related and Call independent information transfer procedures or relates to several basic calls at the same time it is - for the purpose of this Standard - deemed to consist of separate instances of Call related (one for each call) and Call independent services respectively. The combined use of two or more instances of Call related and/or Call independent procedures in support of a particular supplementary service is outside the scope of this Standard.

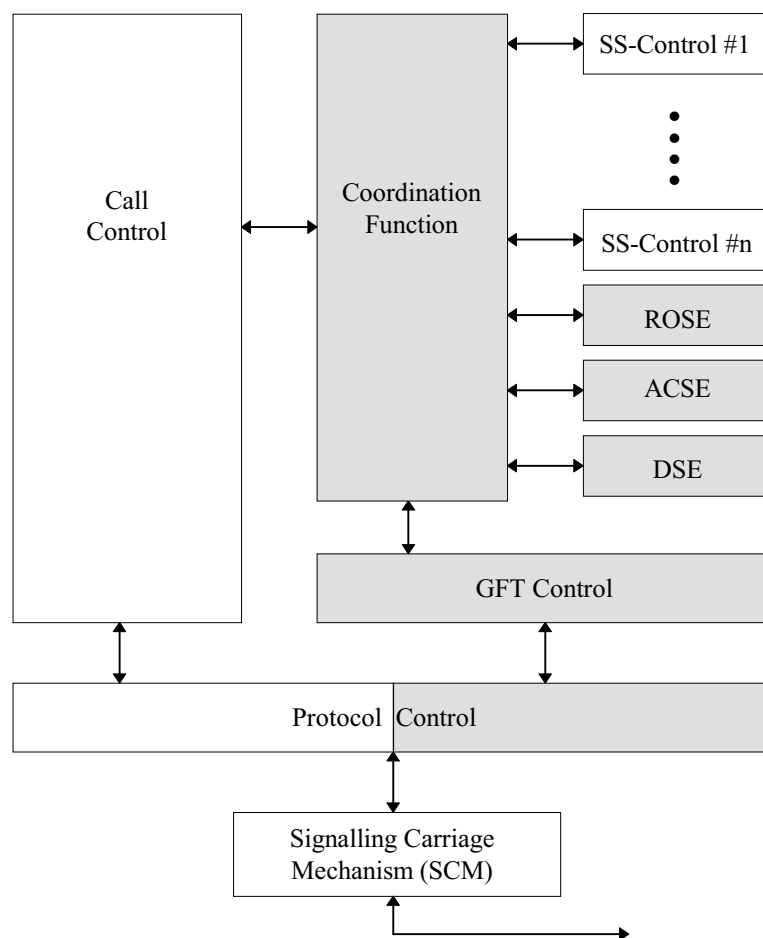
6.1 Application Association

Supplementary service operations require an association between the respective peer SS-Control entities. This Standard provides three means by which this association can be achieved:

- a) implicitly by the network layer connection in the case of Call related connections and for call-independent signalling connections;
- b) implicitly by the application layer dialogue service, in which case the association is independent of the underlying network layer connections and can use a combination of different mechanisms, including Call independent Connectionless information transfer or,
- c) explicitly by use of the Association Control Service Element (ACSE, X.217/227) in conjunction with the underlying mechanisms provided in (a) and (b).

6.2 Protocol Model

Figure 1 shows the conceptual model for the generic functional protocol and its relation to the Basic call model defined in ECMA-143.



NOTE

The capabilities defined in this Standard are indicated by shading, i.e. GFT-Control, DSE, ACSE, ROSE and extensions to Protocol Control. Part of the functions of the Coordination Function are also defined in this Standard, but the remainder of this element governs supplementary service specific interactions which are beyond the scope of this Standard.

Figure 1 - PSS1 Protocol Model

At the top layer (the application layer) the actual supplementary service protocol operates between peer Supplementary Services Control (SS-Control) entities which are service-specific. The operation of specific SS-Control entities is beyond the scope of this Standard.

SS-Control entities use the services of the Remote Operations Service Element (ROSE), the Association Control Service Element (ACSE) and the Dialogue Service Element (DSE) at the application layer via the Coordination Function. These entities use the services of Generic Functional Transport Control (GFT-Control) at the network layer via the Coordination Function. GFT-Control uses the services of Protocol Control at the network layer.

The Remote Operations Service Element (ROSE) is defined in CCITT Rec. X.219.

The Association Control Service Element (ACSE) is defined in CCITT Rec. X.217.

NOTE

In the application of ROSE for the support of supplementary services in PSS1 the underlying services used by ROSE are those provided by GFT-Control or those provided by the Association Control Service Entity (ACSE). No use is made of the services of the Reliable Transport Service Element (RTSE).

The Dialogue Service Element (DSE) provides a means of associating ACSE or ROSE APDUs which are not implicitly associated by an underlying network layer connection.

The Coordination Function provides coordination between GFT-Control, the various SS-Control entities, ROSE, ACSE, DSE and Call Control for different supplementary services. The relationships it coordinates are beyond the scope of this Standard. It also provides functions to support the handling of unrecognised APDUs.

GFT-Control provides two distinct types of service via the Coordination Function:

- transport services for the carriage of Notifications, ROSE APDUs, ACSE APDUs and DSE APDUs between SS-Control entities in different PINXs, including transparent relaying through Transit PINXs. These services can be related to a Call or independent of a Call; and,
- establishment and release of Call independent signalling connections.

Protocol Control is an extension of the existing Protocol Control entity. It provides services to GFT-Control for:

- the transport of APDUs between Adjacent PINXs;
- the establishment and release of signalling connections (Call independent Connection oriented service) between Adjacent PINXs.

This entity builds on the ECMA-143 (Basic call) Protocol Control in the following way:

- the Call related transfer of APDUs uses the call reference established for the call by Protocol Control. This can be either by:
 - the combination of Basic call control information and APDUs in the same ECMA-143 message if they appear concurrently at the Protocol Control service access points; or,
 - the transfer of APDUs in a message defined in this Standard associated with the call reference, when no Call Control primitive appears at the Protocol Control service access point.
- Call independent signalling connections use the call reference mechanism of Protocol Control and some of the messages and procedures.

6.3 Application of the protocol model to communication between SS-Control entities in non-Adjacent PINXs

Figure 2 shows the application of the protocol model to the case where communication occurs between SS-Control entities in two PINXs via a single Transit PINX. It may be applied to communication via more than one Transit PINX by simple replication.

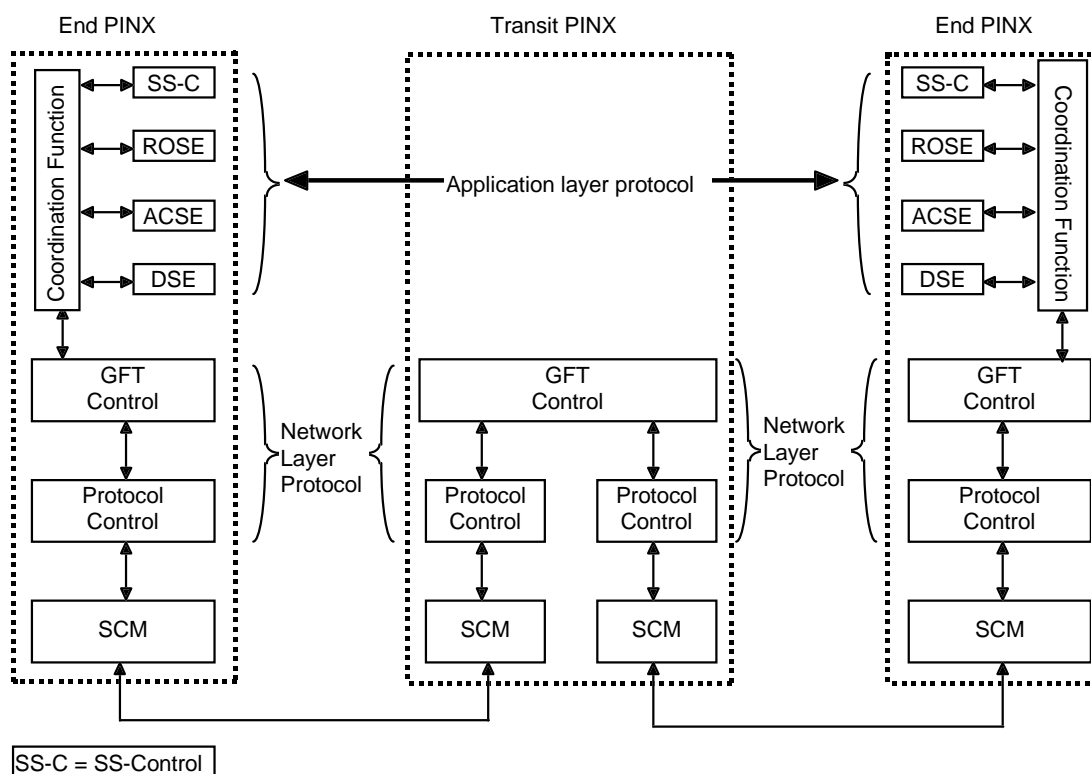


Figure 2 - Application of the protocol model to communication between non-Adjacent PINXs

In figure 2, relaying functions at the Transit PINX are performed by GFT-Control.

If communication is Call related, each of the PINXs in which the SS-Control entities are located may be either an End or a Transit PINX. For simplicity, the Call Control entities are not shown.

If communication is in the context of a Call independent signalling connection, one of the PINXs in which the SS-Control entities are located is the Originating PINX and the other is the Terminating PINX.

The Signalling Carriage Mechanism (SCM) is described in ECMA-143.

6.4 Services provided by ROSE

ROSE provides a set of services to SS-Control to support the ROSE protocol. Primitives for these services are specified in X.219 and relate to the following ROSE APDUs: Invoke, ReturnResult, ReturnError and Reject.

6.5 Services provided by ACSE

ACSE provides a set of services to establish and release an explicit Application association. Primitives for these services are specified in X.217 and relate to the following ACSE APDUs: Associate request, Associate response, Release request, Release response and Abort.

6.6 Services provided by DSE

DSE provides the services shown in table 1 to SS-Control via the Coordination Function, with their contents indicated as either Mandatory (M) or Optional (O). These services are used for creating and terminating a Dialogue which associates peer SS-Control entities and for exchanging ACSE or ROSE APDUs within such an association.

Table 1 - Services provided by DSE

– Dialog Begin	Req/Ind
Originating Dialog Identifier	M
ROSE APDU(s) (Note)	O
– Dialog Continue	Req/Ind
Originating Dialog Identifier	M
Destination Dialog Identifier	M
ROSE APDU(s) (Note)	O
– Dialog End	Req/Ind
Destination Dialog Identifier	M
ROSE APDU(s) (Note)	O
– Dialog Abort	Req/Ind
Destination Dialog Identifier	M
User Abort Cause	M

NOTE

This element can contain one or more ACSE or ROSE APDUs.

6.7 Services provided by GFT-Control

This entity provides the following services to SS-Control, ACSE, ROSE and DSE via the Coordination Function, with their contents indicated as either Mandatory (M) or Optional (O).

6.7.1 Connection oriented services

The services shown in table 2 are provided for the control of the establishment and clearing of a Call independent signalling connection between the PINXs in which the peer SS-Control entities exist.

NOTE 1

It is envisaged that the majority of supplementary services requiring call independent APDU transport will make use of a Call independent signalling connection via the use of the services shown in tables 2 and 3.

Table 2 - Connection oriented services

– GF-Setup	Req/Ind	Resp/Conf
Origination Address	O	-
Destination Address	M	O
Data (Note 2)	O	O
– GF-Release	Req/Ind	
Cause	M	
Data (Note 2)	O	
– GF-Reject	Req/Ind	
Cause	M	
Data (Note 2)	O	

NOTE 2

This element shall contain one or more APDUs and an indication of the destination of these APDUs on the connection path. APDUs may be ACSE APDUs, DSE APDUs or ROSE APDUs. It may also contain an interpretationAPDU generated by the Coordination Function.

The service shown in table 3 is provided and is used for the conveyance of APDUs on a signalling connection (Call related or Call independent) between the PINXs in which the peer SS-Control entities exist.

Table 3 - Connection oriented services

– GF-Data	Req/Ind
Data (Note 3)	M
Basic Call Correlation (Note 4)	O

NOTE 3

This element shall contain one or more APDUs and an indication of the destination of these APDUs on the connection path. APDUs may be ACSE APDUs, DSE APDUs or ROSE APDUs. It may also contain an interpretationAPDU generated by the Coordination Function.

NOTE 4

This element shall be included if SS-Control requires that the Data to be conveyed is to be conveyed in conjunction with a specific basic call control message.

6.7.2 Connectionless transport services

The service shown in table 4 is provided to effect the transport of APDUs between two peer SS-Control entities without the use of a network layer connection. It is an unconfirmed service.

Table 4 - Connectionless services

– GF-Unitdata	Req/Ind
Origination Address	M
Destination Address	M
Data (Note)	M

NOTE

This element shall contain one or more APDUs. APDUs may be ACSE APDUs, DSE APDUs or ROSE APDUs. It may also contain an interpretationAPDU generated by the Coordination Function.

6.7.3 Notification services

The service in table 5 is provided to SS-Control via the Coordination Function. This service is used to effect the transport of notifications associated with the network layer signalling connection of a Call.

Table 5 - Notification services

– GF-Notify	Req/Ind
Notification	M
Basic Call Correlation (Note)	O

NOTE

This element shall be included if SS-Control requires that the Notification is conveyed in conjunction with a specific basic call control message.

6.8 Services provided by Protocol Control to GFT-Control

The following services are provided, with their contents indicated as either Mandatory (M) or Optional (O).

6.8.1 Connection oriented transport services

The services in table 6 provide the Connection oriented network service for Call independent supplementary service control. These services are used for the establishment and clearing of Call independent signalling connections between Adjacent PINXs.

Table 6 - Connection oriented transport services

– PC-Setup	Req/Ind	Resp/Conf
Origination Address	O	-
Destination Address	M	O
Data (Note 1)	O	O
– PC-Release	Req/Ind	
Cause	M	
Data (Note 1)	O	
– PC-Reject	Req/Ind	
Cause	M	
Data (Note 1)	O	

NOTE 1

This element shall contain one or more APDUs and an indication of the destination of these APDUs on the connection path.

NOTE 2

These primitives are similar to the primitives defined in 6.2 of ECMA-143 for provision of services to Call Control.

The service in table 7 is provided to GFT-Control for the conveyance of APDUs between Adjacent PINXs in association with a Basic call or Call independent signalling connection.

Table 7 - Connection oriented transport services

– PC-Data	Req/Ind
Data (Note 3)	M
Basic Call Correlation (Note 4)	O

NOTE 3

This element shall contain one or more APDUs and an indication of the destination of these APDUs on the connection path.

NOTE 4

This element shall be included if the APDUs to be conveyed are to be conveyed in conjunction with a specific basic call control message.

6.8.2 Connectionless transport service

The service in table 8 is provided to GFT-Control to effect the transport of APDUs between two Adjacent PINXs without the use of a network layer connection.

Table 8 - Connectionless transport services

– PC-Unitdata	Req/Ind
Origination Address	M
Destination Address	M
Data (Note)	M

NOTE

This element shall contain one or more APDUs.

6.8.3 Notification services

The service in table 9 is provided to GFT-Control. This service is used to effect the transport of notifications between Adjacent PINXs in association with the network layer signalling connection of a Call.

Table 9 - Notification transport services

– PC-Notify	Req/Ind
Notification	M
Basic Call Correlation (Note)	O

NOTE

This element shall be included if the Notification is to be conveyed in conjunction with a specific basic call control message.

6.9 Services required of the Signalling Carriage Mechanism

The services required by Protocol Control are as specified in 6.3 of ECMA-143.

7 Protocol Control and GFT-Control Requirements

7.1 Call related Procedures for the transport of APDUs

This clause describes the procedures required to transport Call related APDUs.

NOTE

The APDUs need not directly relate to the provision or state of the Call which provides the signalling connection over which the information is carried. If the Call fails and the connection is cleared down for any reason, APDUs that are in the process of being sent may never reach their destination. In such a case, the APDUs will be discarded. It is the responsibility of the supplementary service protocol to cater for this eventuality.

7.1.1 Protocol Control requirements

7.1.1.1 Sending the Facility information element

When requested by GFT-Control, the Facility information element may be sent at any time during a call (i.e. where a call reference exists) subject to the following conditions:

- If a call establishment or a call clearing message that may contain a Facility information element (see clause 10) or a PROGRESS message is to be sent in the context of a Basic call and GFT-Control has requested that the Facility information element be carried in that message, the Facility information element shall be included in that message.
- otherwise, the Facility information element shall be carried in a FACILITY message.

Four exceptions where the Facility information element shall not be sent in a FACILITY message and an indication of transmission failure given to GFT-Control are:

- when no response has been received to a previously sent SETUP message (as defined in 10.1 of ECMA-143);

- when no response has been sent to a previously received SETUP message (as defined in 10.1 of ECMA-143);
- when the Facility information element is of network significance and a call clearing message has already been sent or received on the inter-PINX link; or
- if no call establishment or clearing message is to be sent and a RELEASE or RELEASE COMPLETE message has been sent or received on the inter-PINX link.

NOTE 1

Further actions by the GFT-Control entity in such a situation (e.g. if the Facility information element was received from the Subsequent PINX) are implementation dependent. In designing protocols for supplementary services in a PISN, account should be taken of the fact that an end to end Call related signalling relationship cannot be guaranteed until the receipt of the first end to end Basic call message.

NOTE 2

In the case where the Facility information element is sent to a PINX which does not conform to this Standard, the Facility information element will be discarded by that PINX and a STATUS message may be received (see clause 9 in ECMA-143). The STATUS message will indicate that either: the Facility information element was unrecognised; or, that the message (FACILITY) was unrecognised. In such cases, the recovery action, if any, is an implementation specific matter.

7.1.1.2 Receiving the Facility information element

A PINX receiving a Facility information element in a valid call clearing or call establishment message (see clause 10) or a PROGRESS or FACILITY message shall pass the entire contents of that information element to GFT-Control.

Protocol Control shall treat any value in octets 3.1 onwards as valid, and therefore the ECMA-143 procedures for information elements with invalid contents shall not apply to these octets.

7.1.2 GFT-Control requirements

7.1.2.1 Actions at a Source PINX

On receipt of a request for APDU transport from the Coordination Function, the APDUs to be transported shall be encoded in a Facility information element, as defined in 11.3.3.

APDUs may be of two basic types:

- Those which have only Link significance, i.e. over a single link of the PISN, between two Adjacent PINXs; or,
- Those which have Network significance, between two PINXs in the PISN which are not necessarily adjacent, and which can be, but need not be, the End PINXs involved in the call.

If the APDUs have link significance, the Network Facility Extension (NFE), defined in 11.3.3.1, need not be included in the Facility information element (although it may optionally be included, explicitly identifying the Adjacent PINX);

If the APDUs have network significance, the NFE shall be included, encoded as described in table 10.

NOTE 1

The Facility information element may contain one or more APDUs. If more than one APDU is contained in a single Facility information element, they will all be processed by the Destination PINX. How and if these requests are related is beyond the scope of this Standard.

Table 10 - Encoding of NFE

Case No.	Communication between ..	Required coding of NetworkFacilityExtension for each identified case			
		Encoding of sourceEntity	Encoding of sourceEntityAddress	Encoding of destinationEntity	Encoding of destinationEntityAddress
1	End PINX (Originating or Terminating) => End PINX (Terminating or Originating, depending on direction of FIE)	endPINX (Note)	NOT included	endPINX	NOT included
2	End PINX (Originating or Terminating) => addressed PINX	endPINX (Note)	NOT included	anyTypeOfPINX	PINX Address
3	End PINX (Originating or Terminating) => Next PINX which understands contents	endPINX (Note)	NOT included	anyTypeOfPINX	NOT included
4	Transit PINX => Terminating or Originating PINX (depending on direction of FIE)	anyTypeOfPINX	PINX Address	endPINX	NOT included
5	Transit PINX => addressed PINX	anyTypeOfPINX	PINX Address	anyTypeOfPINX	PINX Address
6	Transit PINX => Next PINX	anyTypeOfPINX	PINX Address	anyTypeOfPINX	NOT included

NOTE

The value endPINX for the sourceEntity should be avoided if there is any possibility that the PINX can cease to be an End PINX (e.g. through the use of certain supplementary services) prior to a response (e.g. a Reject APDU) being received.

The Facility information element shall be delivered to Protocol Control.

7.1.2.2 Actions at a Receiving PINX

A PINX receiving a Facility information element (in one of the messages listed in clause 10) shall determine whether or not it is the Destination PINX for that Facility information element.

It shall accomplish this by determining whether the Protocol Profile (octet 3) has the value 'Networking Extensions' and if so, whether octet 3 is immediately followed by an NFE (as determined by the tag value).

If the Facility information element does not contain an NFE, the PINX shall become the Destination PINX for that Facility information element.

If the Facility information element contains an NFE, the PINX shall determine whether it is a Transit PINX or End PINX in the context of the Basic call and act as described below.

7.1.2.2.1 End PINX actions

If the receiving PINX is an End PINX, and the encoding of the received NFE complies with the encoding and structure defined in clause 11, the following actions shall apply:

- if the destinationEntity element of the NFE indicates endPINX or anyTypeOfPINX and no destinationEntityAddress element is included, it shall become the Destination PINX for that Facility information element;
- if the destinationEntity element of the NFE indicates anyTypeOfPINX and includes a destinationEntityAddress element, it shall compare the received address to its own address. If the addresses match, the PINX shall become the Destination PINX for that Facility information element;
- if the destinationEntity element of the NFE indicates endPINX and erroneously includes a destinationEntityAddress element, the PINX shall become the Destination PINX for that Facility information element;
- in all other cases, the received Facility information element shall be discarded.

If the received NFE does not conform to the encoding and structure defined in clause 11, the entire Facility information element shall be discarded.

7.1.2.2.2 Transit PINX actions

If the receiving PINX is a Transit PINX, and the encoding of the received NFE complies with the encoding and structure defined in clause 11, the following actions shall apply:

- if the destinationEntity element of the NFE indicates anyTypeOfPINX and a destinationEntityAddress element is included, it shall compare the received address to its own address. If the addresses match, the PINX shall become the Destination PINX for that Facility information element;
- if the destinationEntity element of the NFE indicates anyTypeOfPINX and no destinationEntityAddress element is included, the PINX may become the Destination PINX for that Facility information element if it understands the contents;
- if the destinationEntity element of the NFE indicates endPINX and erroneously includes a destinationEntityAddress element, the PINX shall ignore the contents of the destinationEntityAddress field and treat the contents of the Facility information element as if only the destinationEntity element was present;
- if the destinationEntity element of the NFE indicates endPINX, and the Transit PINX is capable of acting as an End PINX for all services indicated in the Facility information element, it may become the Destination PINX for that Facility information element;

NOTE 1

In this case, the source of the information will have no knowledge that the information has been intercepted, as the Transit PINX will act as if it were an End PINX. This may occur, for example, when a PINX at a PISN numbering domain boundary wishes to translate numbering information contained within an APDU.

- in all cases where the PINX does not become the Destination PINX, the Facility information element shall be passed on unchanged to the Next PINX.

If the received NFE does not conform to the encoding and structure defined in clause 11, the entire Facility information element shall be discarded and no Facility information element shall be passed on to the Next PINX.

NOTE 2

Processing of a Facility information element at a Transit PINX does not preclude another Facility information element, which may have similar contents to that received by the Transit PINX, being sent to the Next PINX as a result of that internal processing.

7.1.2.3 Actions at a Destination PINX

All APDUs in the received Facility information element shall be delivered to the Coordination Function at a Destination PINX in the order in which they were received in the Facility information element together with an indication of the protocol profile.

If the Protocol Profile (octet 3) in the received Facility information element does not indicate 'Networking Extensions', the indication of the protocol profile to the Coordination Function shall reflect the contents of the Protocol Profile.

If the Protocol profile (octet 3) in the received Facility information element indicates 'Networking Extensions', and a Network Protocol Profile (as determined by the tag value) is present in the received Facility information element immediately following the NFE, if present, or immediately following octet 3, the indication of protocol profile to the Coordination Function shall reflect the contents of the Network Protocol Profile.

If the Protocol profile (octet 3) in the received Facility information element indicates 'Networking Extensions', and a Network Protocol Profile is not present in the received Facility information element, the indication of protocol profile to the Coordination Function shall be the default (ROSE).

The Facility information element shall be discarded under any of the following circumstances:

- the Network Protocol Profile is present but incorrectly coded;
- subsequent octets do not comprise one or more concatenated APDUs, each in the form of an encoded ASN.1 value (comprising tag, length and contents).

7.1.2.4 Dynamic description (SDL) of Generic Functional Transport Control

Figures 4 to 7 show SDL diagrams describing the actions of the GFT-Control entity, as specified in 7.1.2. Figure 3 is the key to these SDL diagrams.

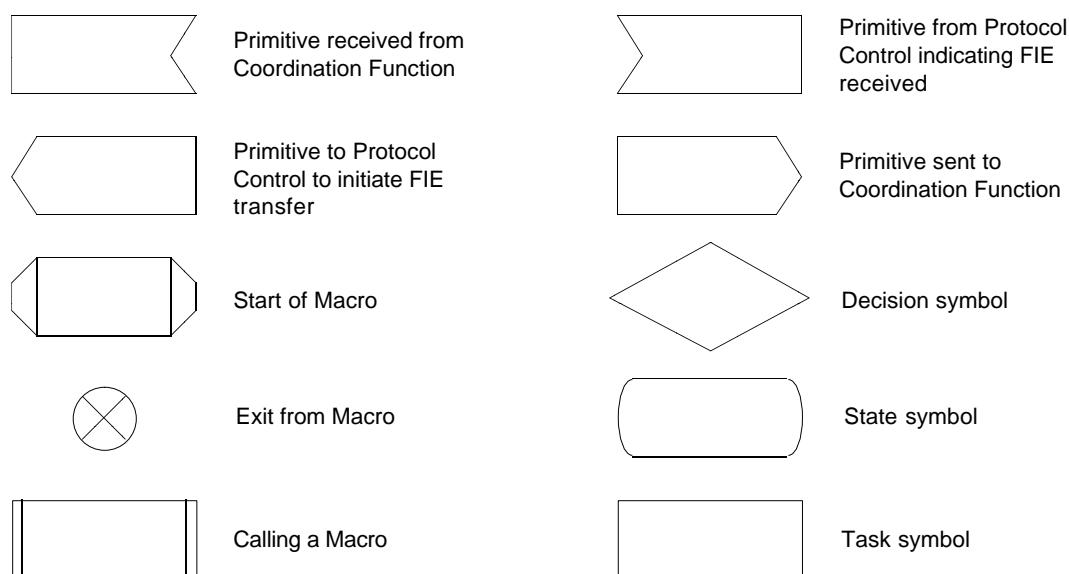
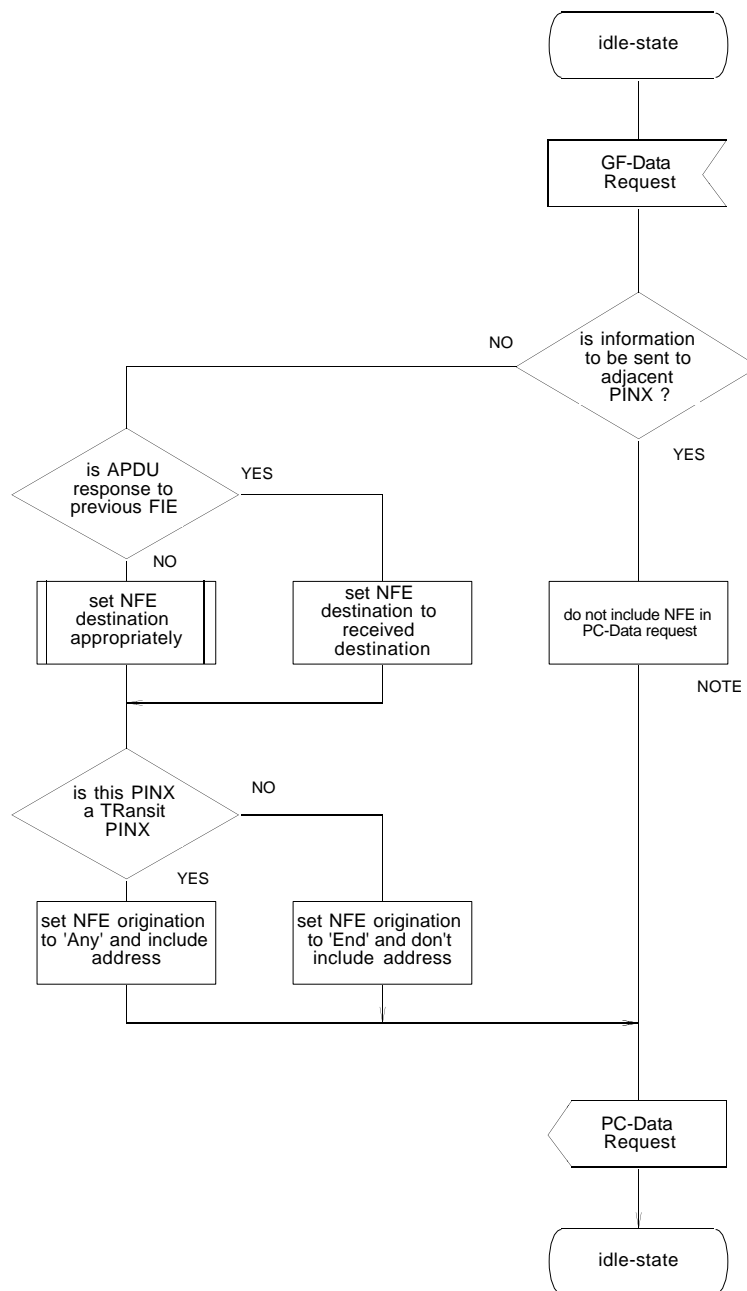


Figure 3 - Key to SDL diagrams in figures 4, 5, 6 and 7



NOTE

In principle, including the NFE to explicitly identify the Adjacent PINX is not precluded by the procedures in this Standard.

Figure 4 - Actions at a Source PINX (sheet 1 of 2)

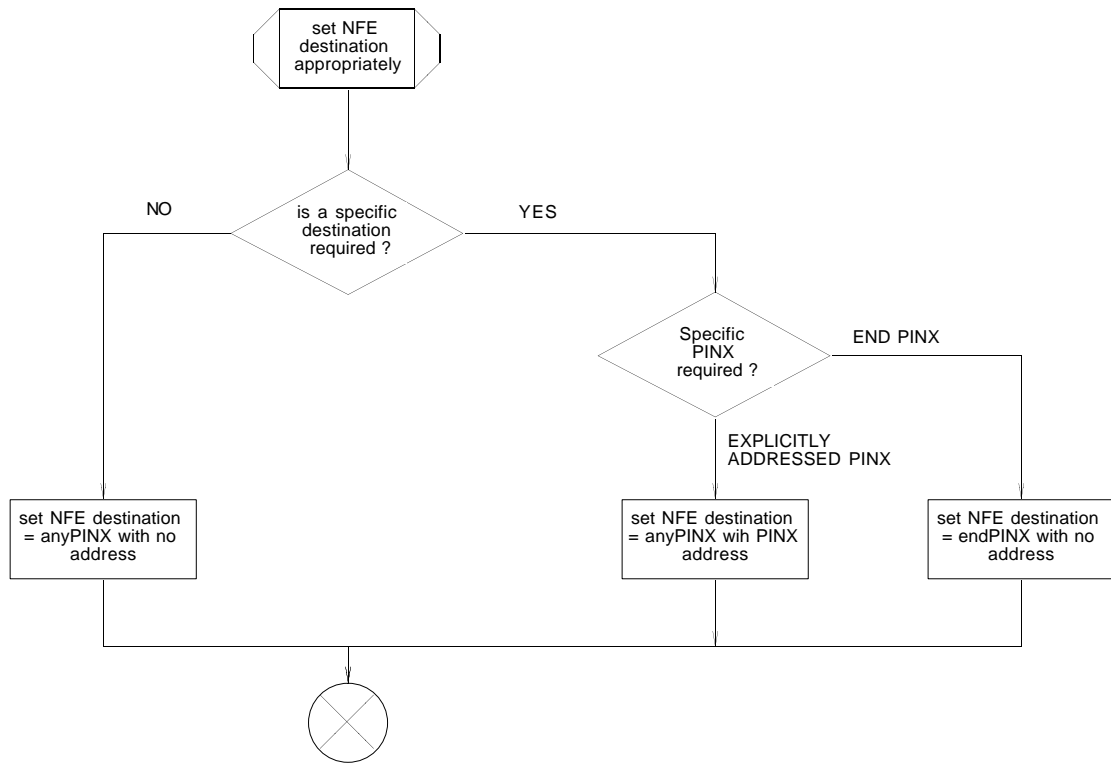
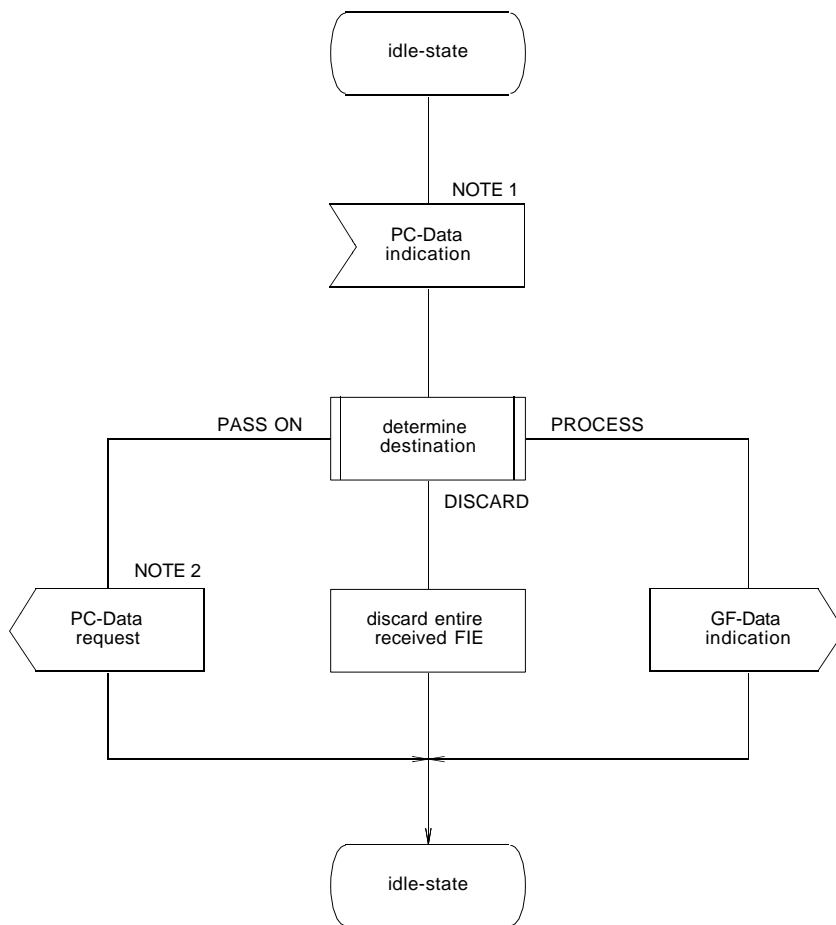


Figure 5 - Actions at a Source PINX (sheet 2 of 2)



NOTE 1

This primitive indicates that Protocol Control has received a Facility information element from an Adjacent PINX.

NOTE 2

This primitive to the Protocol Control entity causes a Facility information element to be sent to the Next PINX in the direction of the Destination PINX.

Figure 6 - Actions at a Receiving PINX (sheet 1 of 2)

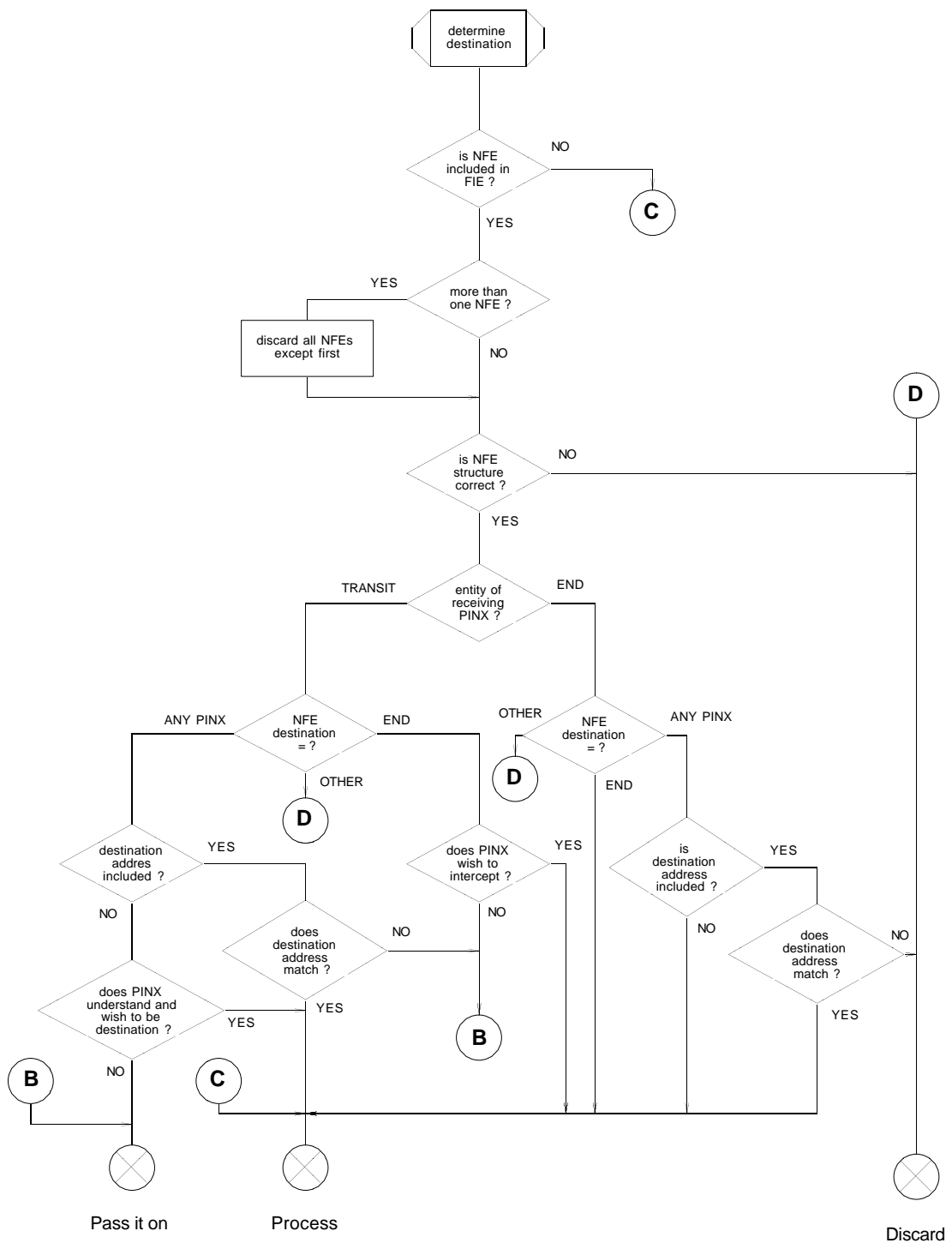


Figure 7 - Actions at a Receiving PINX (sheet 2 of 2)

7.2 Connectionless APDU Transport Mechanism

The procedures defined in this clause describe a Connectionless network layer service which provides APDU transfer between PINXs outside the context of a call.

7.2.1 Protocol Control requirements

7.2.1.1 Requirements for sending a Connectionless message

When requested by GFT-Control to send APDUs using Connectionless transport, Protocol Control shall first ensure that an SCM connection exists on the relevant inter-PINX link. If an SCM connection does not exist, Protocol Control shall establish an SCM connection according to the procedures described in 9.1.1 of ECMA-143. Once this Data Link is established, Protocol Control shall transfer the APDUs (encoded in a Facility information element) across the interface by sending a FACILITY message (defined in 10.7) containing the Dummy call reference (defined in 11.2), and the Calling and Called party number information elements as provided by GFT-Control.

NOTE

In the case where the FACILITY message is sent to a PINX which does not support Connectionless APDU transport, the FACILITY message will be discarded by that PINX in accordance with 9.2.3 of ECMA-143.

7.2.1.2 Requirements for receiving a Connectionless message

On receipt of a valid FACILITY message containing the Dummy call reference the Facility information element shall be passed to GFT-Control.

If a FACILITY message containing the Dummy call reference contains any of the following errors, it shall be discarded:

- unrecognised information element which is encoded 'comprehension required';
- missing mandatory information element; or,
- mandatory information element content error.

If a FACILITY message containing the Dummy call reference contains any unrecognised information elements that are not encoded "comprehension required"; or optional information elements with invalid contents, these information elements shall be discarded and the remainder of the FACILITY message processed as valid.

On receipt of any messages containing the dummy call reference, other than the FACILITY message, the message shall be discarded.

7.2.2 Control requirements

7.2.2.1 Actions at a Source PINX

On receipt of a request from the Coordination Function to send APDUs using Connectionless transport, accompanied by the address of the Destination PINX, GFT-Control shall:

- if a route to the destination can be selected, select the appropriate inter-PINX link based on the destination address given in the request from the Coordination Function and inform Protocol Control to send a FACILITY message which shall contain:
 - a Calling party number information element, identifying the address of the Source PINX;
 - a Called party number information element identifying the address of the Destination PINX; and,
 - a Facility information element which shall not contain an NFE.
- if no route to the Destination PINX can be selected, ignore the request.

7.2.2.2 Actions at a Receiving PINX

If a PINX receives a FACILITY message containing the Dummy call reference on an inter-PINX link from an Adjacent PINX, it shall examine the contents of the Called party number information element to determine whether or not the FACILITY message is to be terminated at that PINX. If the Called party number identifies another PINX, and the receiving PINX can route the FACILITY message based on this Called party number, the FACILITY message (with contents as received) shall be sent on the appropriate inter-PINX link. If the

Called party number information element contains an address identifying the receiving PINX, it shall act as the Destination PINX for the FACILITY message.

If a received FACILITY message containing the Dummy call reference contains a Called Party number information element that does not identify the receiving PINX or a PINX to which the FACILITY message can be passed on, the PINX shall discard the FACILITY message.

NOTE

It is the responsibility of the appropriate specification for the supplementary service utilising these transport procedures to ensure that the service can cope gracefully if the FACILITY message is discarded during routing.

7.2.2.3 Actions at a Destination PINX

If the received FACILITY message is destined for the receiving PINX, the contents of the Facility information element and the address of the Source PINX shall be passed to the appropriate SS-Control entity via the Coordination Function.

NOTE

It is the responsibility of SS-Control (i.e. the specific supplementary service) in the Destination PINX to store the Calling party number information element to enable response to the service request to be made using a further Connectionless message.

If the received Facility information element contains an NFE, the receiving PINX shall ignore the contents of that NFE.

7.3 Connection oriented call independent APDU transport mechanism

The procedures in this clause describe a Connection oriented network layer service which provides APDU transfer between PINXs outside the context of a call.

7.3.1 Protocol Control requirements

The description of the Protocol Control requirements for Connection oriented APDU transport uses a subset of the states defined in 7.1 of ECMA-143.

7.3.1.1 Actions in the Null state

When asked to initiate a Call independent signalling connection by GFT-Control, the Outgoing side Protocol Control shall:

- ensure that an SCM connection exists on the relevant inter-PINX link. If an SCM connection does not exist, Protocol Control shall establish an SCM connection according to the procedures described in 9.1.1 of ECMA-143;
- send a SETUP message on the appropriate inter-PINX link which shall contain only:
 - a Call reference, selected according to 14.3 of ECMA-143;
 - a Bearer capability information element indicating the additional codepoints defined in 11.3.1, i.e. Coding standard indicating ‘other international standard’, Information transfer capability indicating ‘unrestricted digital information’, Transfer mode indicating ‘circuit mode’, and Information transfer rate indicating ‘Call independent signalling connection’;
 - a Channel identification information element indicating ‘no-channel’ in the channel selection field, ‘channel indicated is the signalling channel’ in the signalling channel indication field and ‘exclusive’ in the preferred/exclusive field, as defined in 11.3.2;
 - a Called party number information element containing a number at least sufficient to identify the Terminating PINX;
 - optionally, a Sending complete information element, as defined in 14.5 of ECMA-143;
 - optionally, a Calling party number information element containing a number at least sufficient to identify the Originating PINX; and,
 - optionally, one or more Facility information elements; and,

- optionally, a Transit counter information element as defined in ECMA-225.

Difference from ISO/IEC 11582

The bullet item above does not exist in ISO/IEC 11582.

End of Difference

- start timer T303; and,
- enter the Call initiated state.

On receipt of a SETUP message relating to establishment of a Call independent signalling connection, the Incoming side shall:

- if the request is valid and can be processed, return a CALL PROCEEDING message to the Outgoing side, indicate the connection request to GFT-Control and enter the Incoming call proceeding state; or,
- if the request is invalid or cannot be accepted by the PINX, return a RELEASE COMPLETE message to the Outgoing side, release the call reference and remain in the Null state.

7.3.1.2 Actions in the Call initiated state

On receipt of a CALL PROCEEDING message from the Incoming side, the Outgoing side shall stop T303, start timer T310, if applicable, and enter the Outgoing call proceeding state.

If no response is received from the Incoming side before timer T303 expires, the SETUP message may optionally be retransmitted and timer T303 restarted. If no response is received before timer T303 expires for a second time (or for the first time if the SETUP message is not to be retransmitted), the Outgoing side shall send a RELEASE COMPLETE message to the Incoming side; inform GFT-Control of the failure of the signalling connection request; and enter the Null state.

NOTE 1

The RELEASE COMPLETE message should contain cause no. 102 “Recovery on Timer Expiry”.

NOTE 2

If the Connection oriented procedures are not supported by a PINX which receives a SETUP message requesting a Call independent signalling connection, it will respond with a call clearing message indicating, for example, that the Bearer capability cannot be provided or that the message has contained an information element content error. This will initiate connection release in accordance with 7.3.1.7.

7.3.1.3 Actions in the Incoming call proceeding state

When receiving an indication that the Call independent signalling connection is established from GFT-Control, the Incoming side shall: send a CONNECT message to the Outgoing side and either: enter the Active state, or start timer T313 and enter the Connect request state.

7.3.1.4 Actions in the Outgoing call proceeding state

On receipt of a CONNECT message from the Incoming side, the Outgoing side shall: stop timer T310 (if applicable), inform GFT-Control that the signalling connection is established, send a CONNECT ACKNOWLEDGE message to the Incoming side and enter the Active state.

If timer T310 expires, the Outgoing side shall indicate that the signalling connection request has failed to GFT-Control and initiate release of the connection as described in 7.3.1.7.

NOTE

The cause sent to the Incoming side should be no. 102 “Recovery on Timer Expiry”.

7.3.1.5 Actions in the Connect request state

On receipt of a CONNECT ACKNOWLEDGE message, the Incoming side shall: stop timer T313 and enter the Active state.

If timer T313 expires before a CONNECT ACKNOWLEDGE message is received the Incoming side shall: indicate failure of connection establishment to GFT-Control and initiate release of the connection as described in 7.3.1.7.

NOTE

The cause sent to the Outgoing side should be no. 102 "Recovery on Timer Expiry".

7.3.1.6 Actions in the Active state

On receipt of a FACILITY message from a peer Protocol Control entity, an indication shall be given to GFT-Control.

On receipt of a request to send supplementary services related information by GFT-Control, Protocol Control shall send a FACILITY message to the peer Protocol Control entity.

A received CONNECT ACKNOWLEDGE message shall be ignored.

7.3.1.7 Connection release

When Protocol Control is requested by GFT-Control to release a Call independent signalling connection, Protocol Control shall:

- if in the Release request state, ignore the request from GFT-Control; or
- if in any other Protocol Control state, send a RELEASE message with an appropriate cause value, start timer T308 and enter the Release request state.

When Protocol Control makes a local decision to release a Call independent signalling connection (e.g. due to a protocol error), it shall, if not in the Release request state: inform GFT-Control that the signalling connection has been released, send a RELEASE message with an appropriate cause value, start timer T308 and enter the Release request state.

On receipt of a RELEASE message in any state other than the Release request state, Protocol Control shall indicate to GFT-Control that the signalling connection has been released, send a RELEASE COMPLETE message, release the call reference and enter the Null state.

On receipt of a RELEASE COMPLETE message in any state other than the Release request state, Protocol Control shall indicate to GFT-Control that the signalling connection has been released, release the call reference and enter the Null state.

7.3.1.8 Actions in the Release request state

On receipt of a RELEASE or a RELEASE COMPLETE message, Protocol Control shall: stop timer T308, release the call reference and enter the Null state.

If timer T308 expires for the first time, the RELEASE message shall be retransmitted and timer T308 shall be restarted. If timer T308 expires a second time, Protocol Control shall release the call reference and enter the Null state.

7.3.1.9 Transport of APDUs associated with a Call independent signalling connection

When requested by GFT-Control, the Facility information element may be sent in a call establishment or call clearing message (see clause 10) of the connection oriented, call independent signalling connection or in a FACILITY message during Active state of the connection oriented, call independent signalling connection.

7.3.1.10 Protocol error handling

Sub-clause 9.2 of ECMA-143 shall apply with the following modifications:

- actions regarding the handling of B-channels are not applicable;
- actions regarding the handling of the DISCONNECT message (not defined for use with Call independent connections) are not applicable;
- on SCM failure, for connections in the Active state, Protocol Control may release all resources, release the call reference, enter the Null state and inform GFT-Control of the failure of the connection, as an alternative to the procedures specified for active connections in 9.2.9 of ECMA-143;
- if a SETUP ACKNOWLEDGE, ALERTING, INFORMATION, DISCONNECT or PROGRESS message (defined in ECMA-143) is received in any state (except the Null state, where invalid call reference error procedures apply) it shall be treated as an unexpected or unrecognised message in accordance with 9.2.4 of ECMA-143.

Sub-clause 9.3 of ECMA-143 shall apply for the generation and request of Call independent connection state information.

7.3.1.11 Procedures for layer management

Clause 11 of ECMA-143 shall apply. In the case that the Restart indicator information element indicates restart of a single channel, call independent signalling connections shall not be affected. In the case that the Restart indicator information element indicates 'all channels', Protocol Control shall return all call independent signalling connections to the idle state and inform GFT-Control.

7.3.1.12 Protocol timer values

Table 11 defines the values and attributes of the protocol timers required for Connection oriented Protocol Control.

In table 11, the following conventions are used to indicate the applicability of the protocol timers to an incoming or outgoing side Protocol Control entity in a PINX:

- M: The support of the timer is Mandatory
- O: The support of the timer is Optional
- M(I): The support of the timer is Mandatory if the associated (optional) procedures are implemented.

All timer values given in table 11 shall have a tolerance of 10%. Where minimum and maximum values are given, the choice of value is an implementation matter, within the range specified, with a tolerance of 10% below the minimum value and 10% above the maximum value.

Table 11 - Protocol Control timer values

Timer Number	Timer Value	Call State	Cause for start	Normally terminated	Action to be taken when timer expires	Incoming side	Outgoing side
T303	Minimum 4 s, Maximum 6 s	Call initiated	On Sending SETUP	On receipt of CALL PROCEEDING or RELEASE COMPLETE	Retransmit SETUP and restart T303 or release the connection as specified in 7.3.1.7	-	M
Second T303	Minimum 4 s, Maximum 6 s	Call initiated	On retransmission of SETUP	On receipt of CALL PROCEEDING or RELEASE COMPLETE	Release connection as specified in 7.3.1.7		O
T308	Minimum 4 s, Maximum 6 s	Release request	On sending RELEASE	On receiving RELEASE or RELEASE COMPLETE	Retransmit RELEASE, restart T308.	M	M
Second T308	Minimum 4 s, Maximum 6 s	Release request	On expiry of T308	On receiving RELEASE or RELEASE COMPLETE	Release call reference	M	M
T309	90 s	Any state	SCM disconnection. Connections in Stable states are not lost.	On SCM re-establishment	Release connection and call reference	O	O
T310	Implementation dependent	Outgoing call proceeding	On receipt of CALL PROCEEDING	On receipt of CONNECT or RELEASE	Release connection as specified in 7.3.1.7	-	M (Optional for a Transit PINX)
T313	Minimum 4 s, Maximum 6 s	Connect request	On sending CONNECT	On receipt of CONNECT ACKNOWLEDGE	Release connection as specified in 7.3.1.7	O	-
T322	Minimum 4 s, Maximum 6 s	Any connection state except Null	STATUS ENQUIRY sent	STATUS, RELEASE or RELEASE COMPLETE received.	STATUS ENQUIRY may be retransmitted several times - implementation dependant	M (I)	M (I)

7.3.2 Dynamic Description (SDL) of Connection oriented Protocol Control procedures

Figure 9 contains a dynamic description of the Connection oriented Protocol Control procedures in 7.3.1. It is based on the SDL description of the Basic call, defined in annex E of ECMA-143 and is not intended to be complete. It is to be used as an aid to the interpretation of the text, which shall be the prime source should a conflict occur.

Figure 8 shows the key to the symbols used in figure 9. Table 12 describes the naming convention used for primitives shown in the SDL diagram.

Table 12 - Key to primitive names used in figure 9

Prefix	Primitive from/to:
Event_	An entity which provides Protocol Control with notification of protocol related events other than receipt of incoming messages or primitives from GFT-Control or the SCM.
PC_	Primitives from / to GFT-Control to / from Protocol Control
DL_	Primitives from / to the SCM to / from Protocol Control

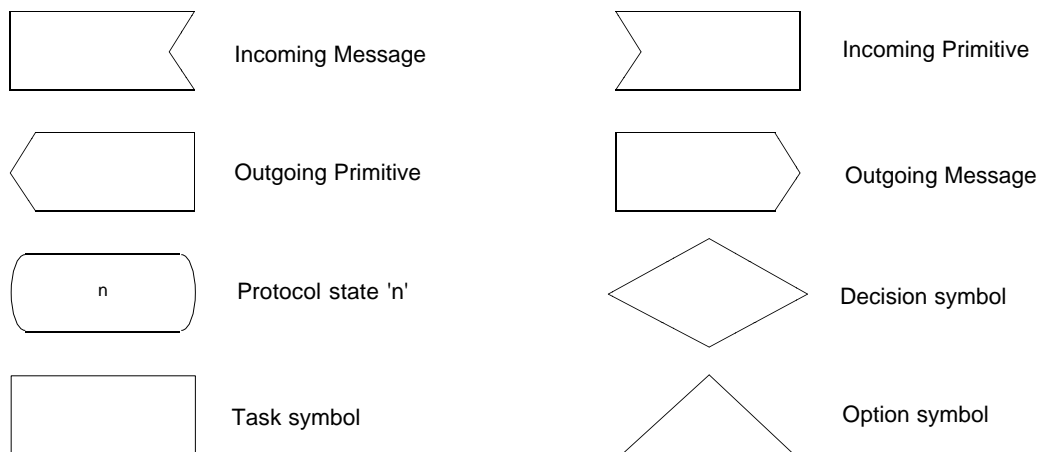


Figure 8 - Key to symbols used in the SDL diagram for Connection oriented Protocol Control

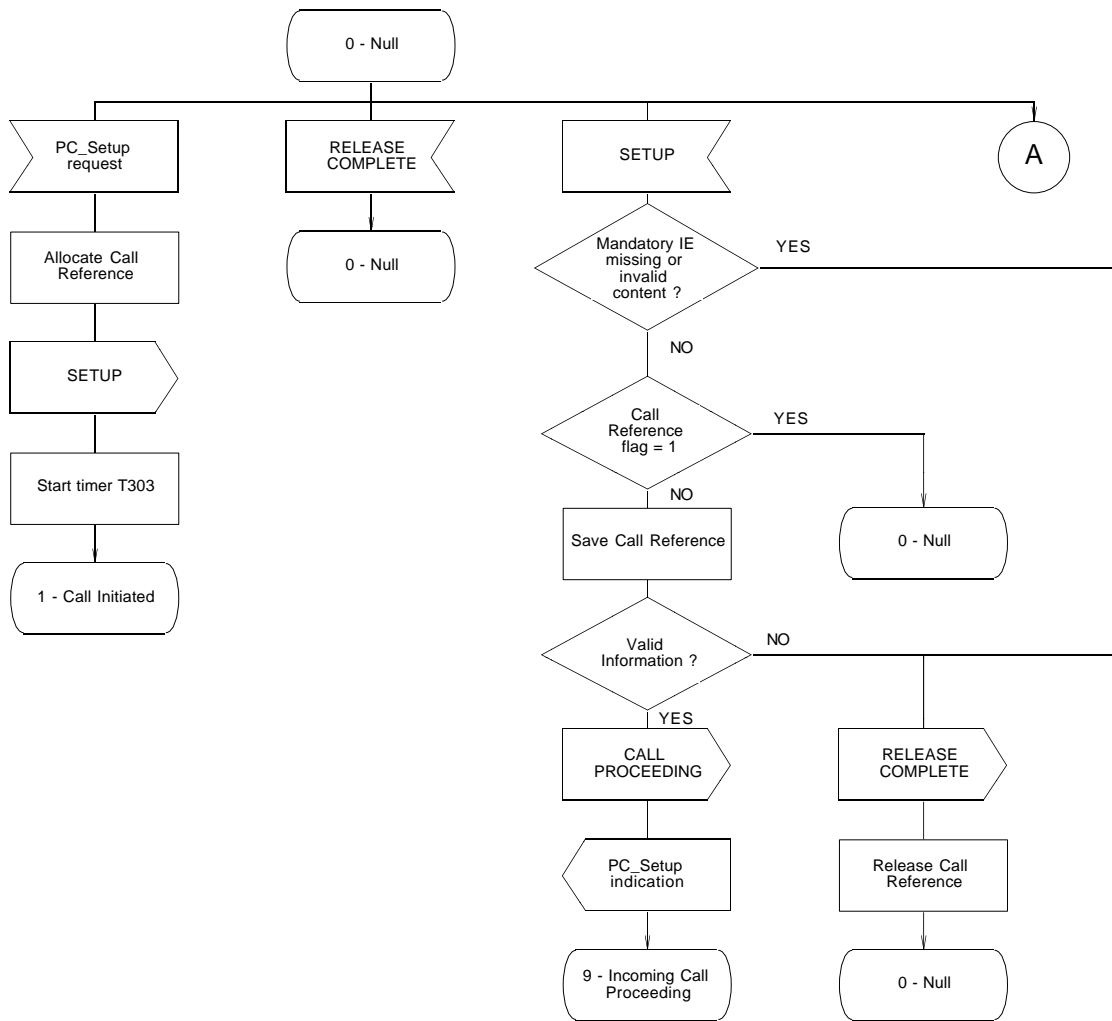


Figure 9 - Connection oriented Protocol Control SDL (Sheet 1 of 10)

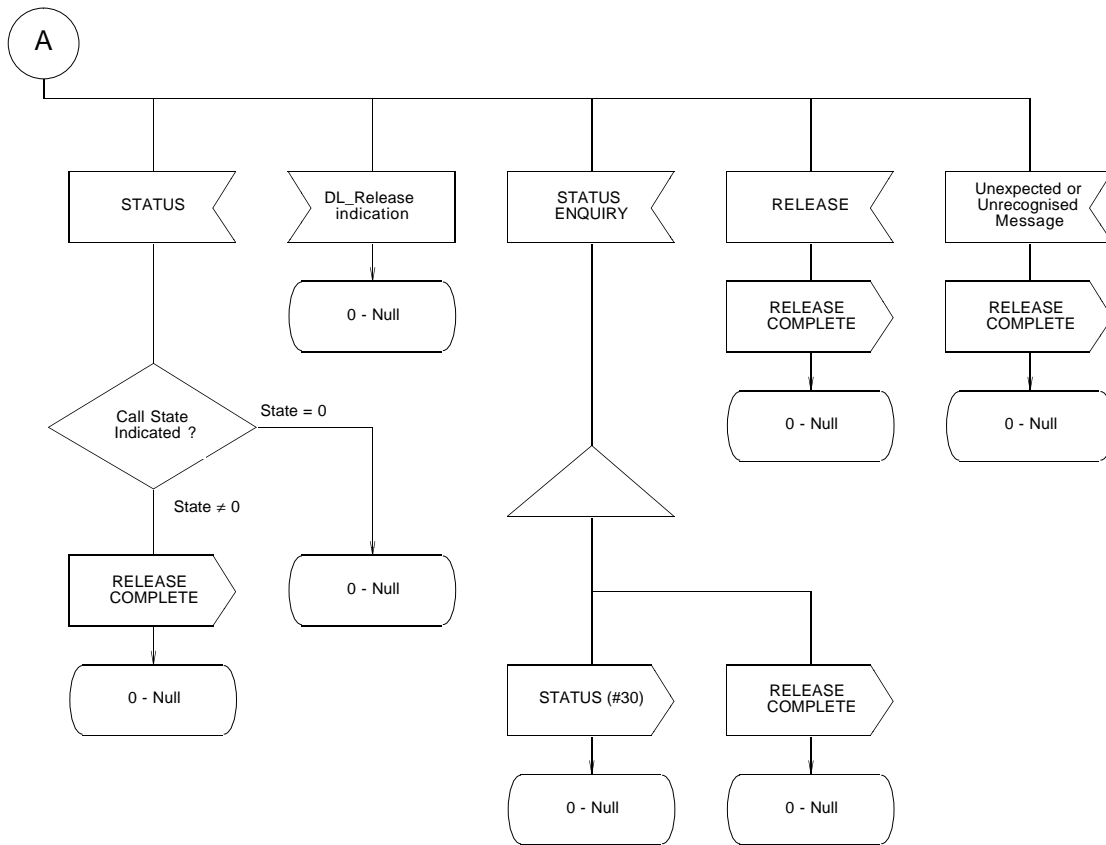


Figure 9 - Connection oriented Protocol Control SDL (Sheet 2 of 10)

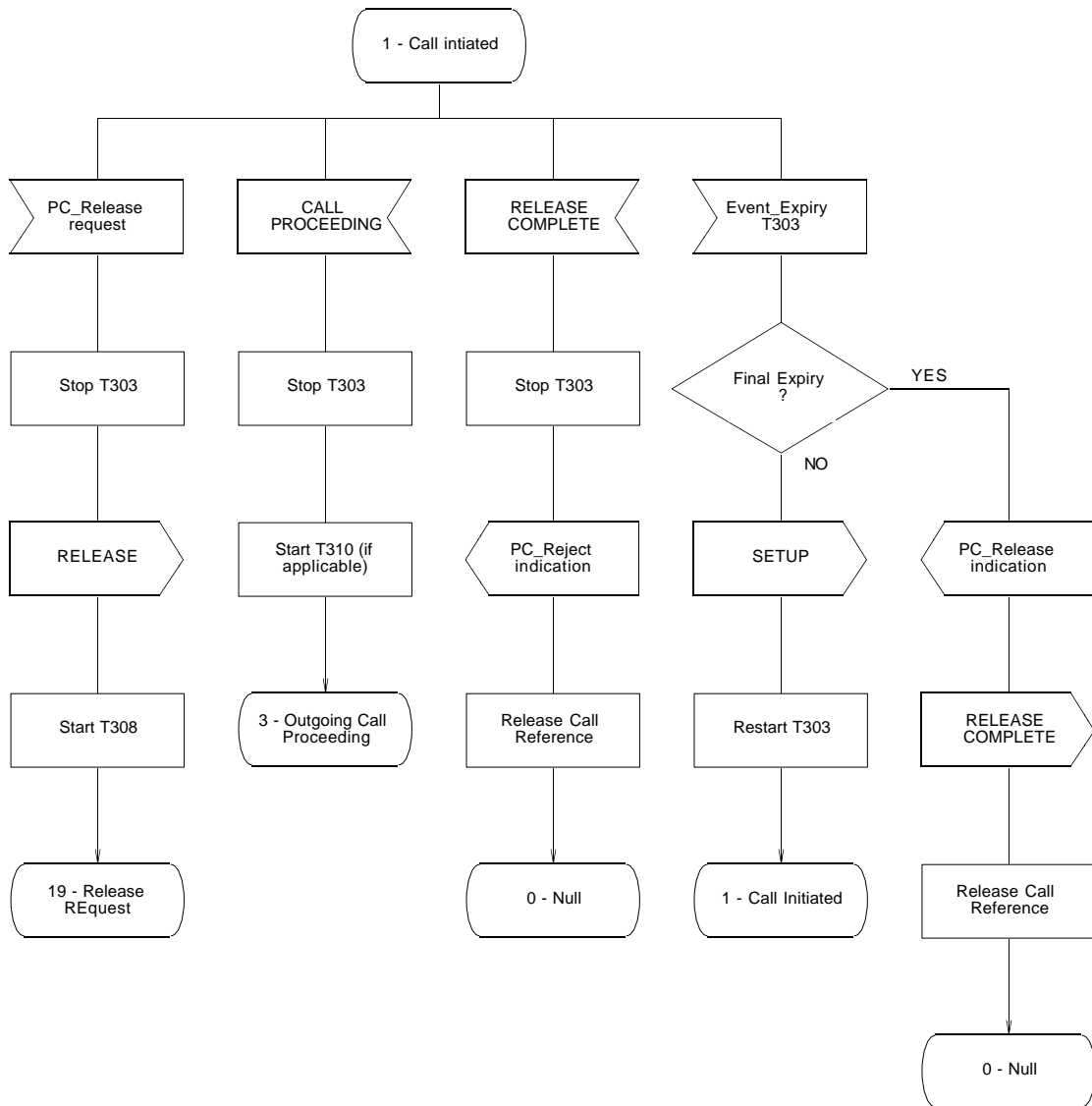


Figure 9 - Connection oriented Protocol Control SDL (Sheet 3 of 10)

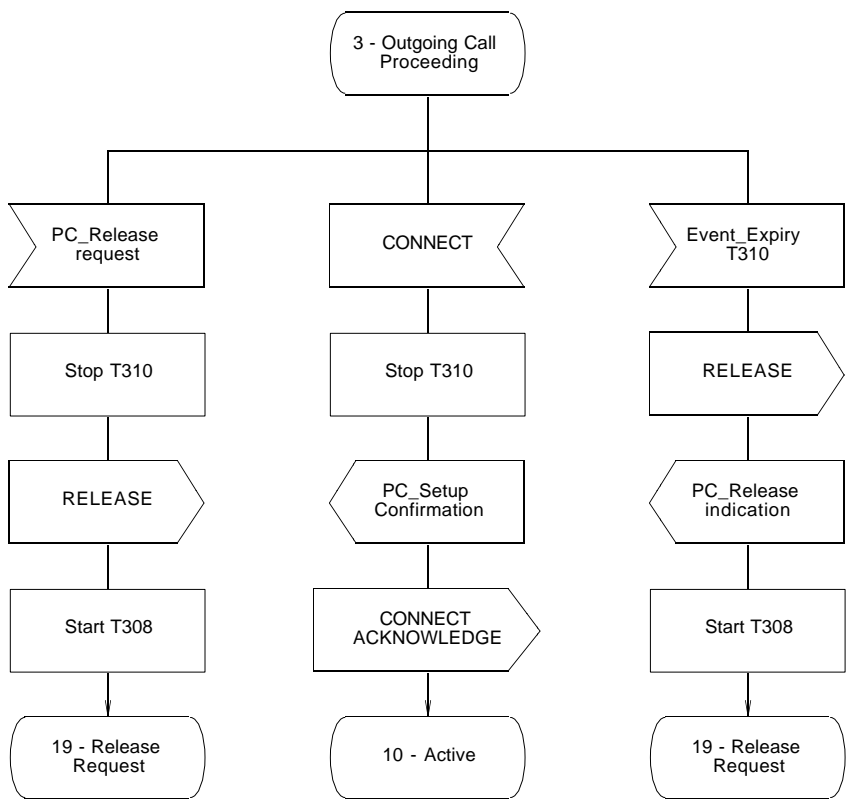


Figure 9 - Connection oriented Protocol Control SDL (Sheet 4 of 10)

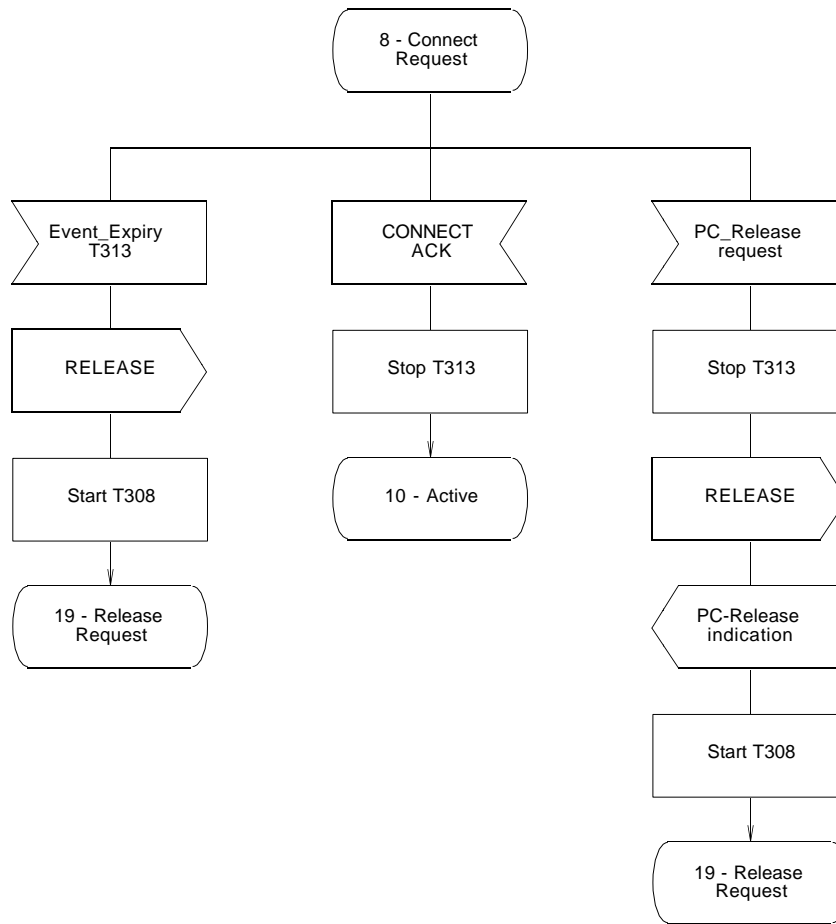


Figure 9 - Connection oriented Protocol Control SDL (Sheet 5 of 10)

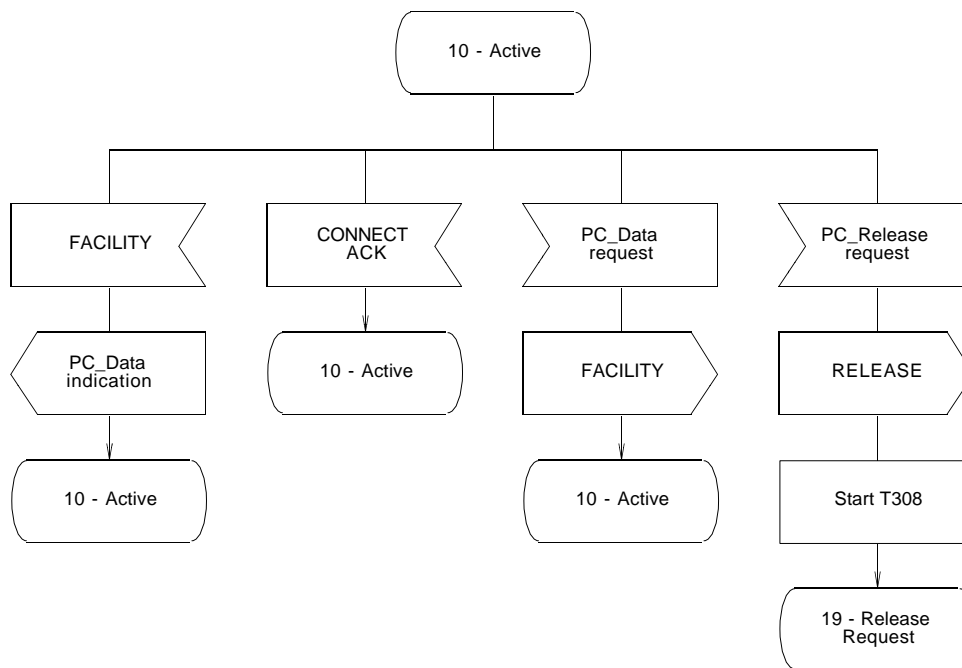


Figure 9 - Connection oriented Protocol Control SDL (Sheet 6 of 10)

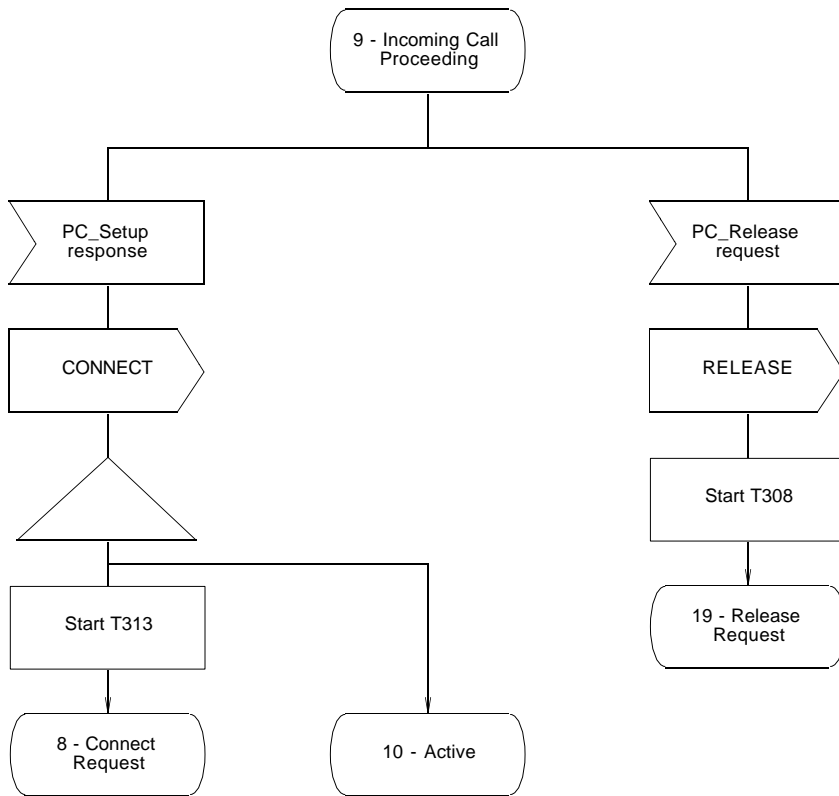


Figure 9 - Connection oriented Protocol Control SDL (Sheet 7 of 10)

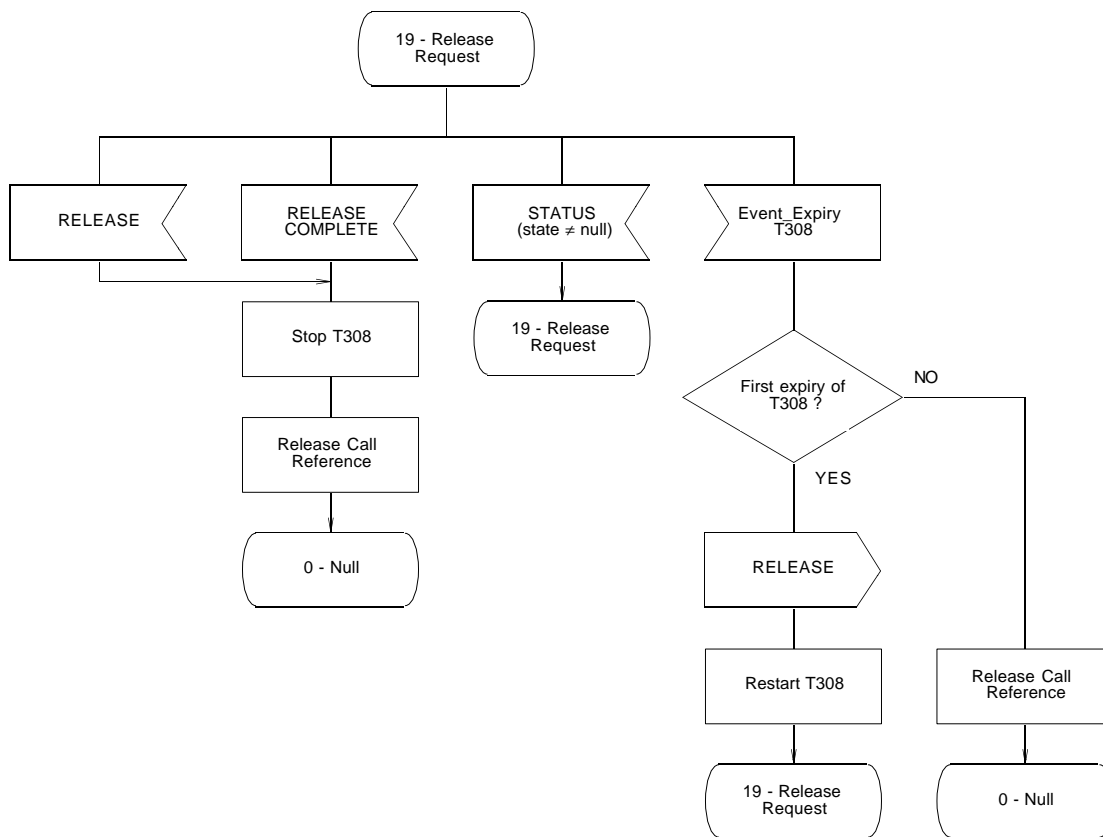


Figure 9 - Connection oriented Protocol Control SDL (Sheet 8 of 10)

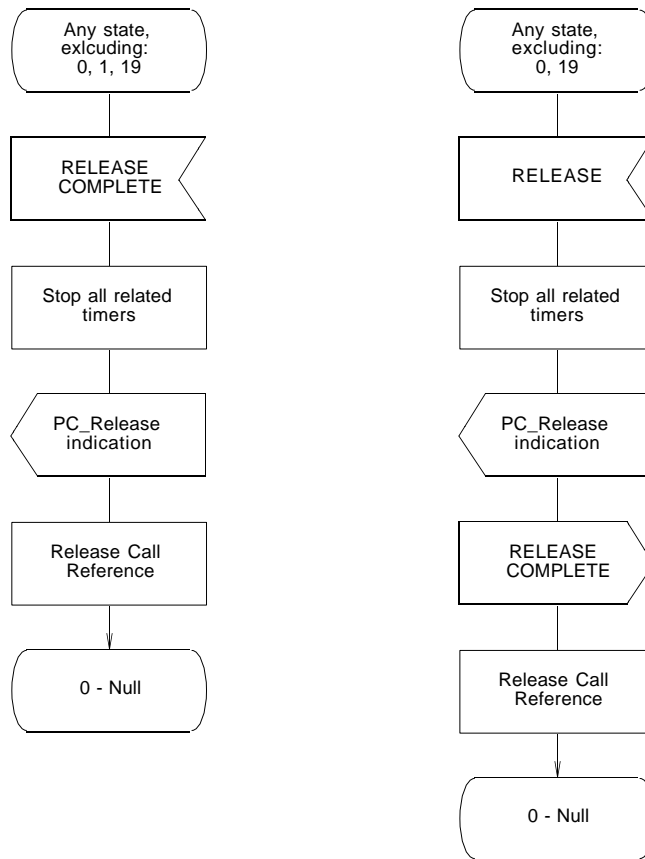


Figure 9 - Connection oriented Protocol Control SDL (Sheet 9 of 10)

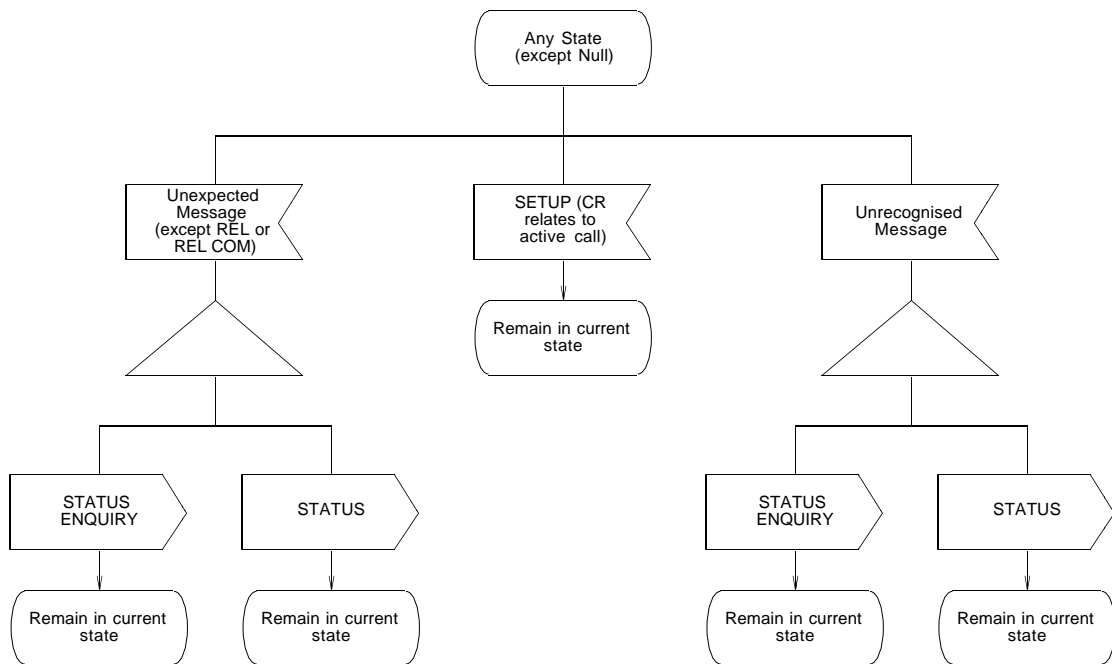


Figure 9 - Connection oriented Protocol Control SDL (Sheet 10 of 10)

7.3.3 Generic Functional Transport Control requirements

The procedures describing the requirements of the GFT-Control entity for Call independent signalling connection control are defined in terms of a number of states. These states are conceptual states that are used to enable straightforward description of the dynamic aspects of the GFT-Control procedures.

The states used are separated into states that exist at an Originating PINX, a Transit PINX and a Terminating PINX. A brief description of the states is as follows:

– Originating PINX GFT-Control States:

- Originating_connection_idle: no connection exists.
- Originating_connection_request: connection establishment has been requested, but no response has been received from the Terminating PINX.
- Originating_connection_active: the connection is active.

– Transit PINX GFT-Control States:

- Transit_connection_idle: no connection exists.
- Transit_connection_request: connection establishment request has been received from the Preceding PINX and forwarded to the Subsequent PINX, but no response has been received from the Subsequent PINX.
- Transit_connection_active: the connection is active.

– Terminating PINX GFT-Control States:

- Incoming_connection_idle: no connection exists.
- Incoming_connection_active: the connection is active.

7.3.3.1 Actions at an Originating PINX

7.3.3.1.1 Actions in the Originating_connection_idle state

When a request for establishment of a Call independent signalling connection to a remote PINX is received from the Coordination Function, GFT-Control shall: request the Outgoing side Protocol Control to send a SETUP message, including the address of the Terminating PINX, and optionally the Transit counter information element with the transit count field set to zero, and enter the Originating_connection_request state.

Difference from ISO/IEC 11582

The above item is modified from that in ISO/IEC 11582. The last 2 lines of the item in the ISO/IEC International Standard are:

... to send a SETUP message, including the address of the Terminating PINX and enter the Originating_connection_request state.

End of Difference

7.3.3.1.2 Actions in the Originating_connection_request state

If Protocol Control informs GFT-Control that a RELEASE or RELEASE COMPLETE message has been received, GFT-Control shall inform the Coordination Function that the connection has failed and enter the Originating_connection_idle state.

If Protocol Control informs GFT-Control that a CONNECT message has been received, GFT-Control shall enter the Originating_connection_active state.

7.3.3.1.3 Actions in the Originating_connection_active state

If a request for transfer of APDUs on the connection is received from the Coordination Function, GFT-Control shall instruct Protocol Control to send a FACILITY message to the Subsequent PINX, containing a Facility information element in accordance with 7.3.3.4.

If Protocol Control informs GFT-Control that a FACILITY message has been received, the PINX shall become the Destination PINX for the received Facility information element in accordance with 7.3.3.5.

If Protocol Control informs GFT-Control that a RELEASE message has been received, GFT-Control shall inform the Coordination Function that the connection has been released and enter the `Originating_connection_idle` state.

If a request that the connection be released is received from the Coordination Function, GFT-Control shall: request that Protocol Control send a RELEASE message and enter the `Originating_connection_idle` state.

7.3.3.2 Actions at a Transit PINX

If GFT-Control receives indication from Protocol Control of a received SETUP message from the Preceding PINX, it shall examine the contents of the Called party number information element. If the Called party number information element matches that of the Receiving PINX, the PINX shall become a Terminating PINX, otherwise it shall follow the procedures of this clause.

If GFT-Control receives any APDUs from Protocol Control in any of the messages which may contain a Facility information element (see clause 10), it shall examine the header of the Facility information element for the presence of an NFE. The treatment of the Facility information element based on this NFE shall be as defined in clause 7.1.2.2.

7.3.3.2.1 Actions in the Transit_connection_idle state

If the Called party number contained in the SETUP message is that of another PINX and a connection to that PINX is possible, GFT-Control shall: request Protocol Control to send a SETUP message on the appropriate inter-PINX link to the Subsequent PINX, associate the incoming and outgoing connections and enter the `Transit_connection_request` state.

If the received SETUP message contains a Transit counter information element in which the transit count field has a value that is less than the acceptable (network dependent) limit, that information element shall be included in the SETUP message sent to the Subsequent PINX. The value of the transit count field in the outgoing Transit counter information element shall be one greater than the value received.

If the received SETUP message contains a Transit counter information element in which the transit count field has a value that is greater than or equal to the acceptable (network dependent) limit of Transit PINXs through which the call may be routed, and the PINX is unable to become the Terminating PINX, GFT-Control shall: request Protocol Control to release the connection by sending a RELEASE message to the Preceding PINX and remain in the `Transit_connection_idle` state.

If the received SETUP message does not contain a Transit counter information element, the Transit PINX may include a Transit counter information element in the SETUP message sent to the Subsequent PINX. The value of the transit count field in this element shall be set to a value not less than 1.

Difference from ISO/IEC 11582

The three paragraphs above does not exist in ISO/IEC 11582.

End of Difference

If the contents of the Called party number information element contained in the SETUP message is not sufficient to enable routing onto a further inter-PINX link, GFT-Control shall: request Protocol Control to release the connection by sending a RELEASE message to the Preceding PINX and remain in the `Transit_connection_idle` state.

7.3.3.2.2 Actions in the Transit_connection_request state

When Protocol Control informs GFT-Control of a CONNECT message received from the Subsequent PINX, GFT-Control shall: request Protocol Control to send a CONNECT message to the Preceding PINX and enter the `Transit_connection_active` state.

When Protocol Control informs GFT-Control that a RELEASE or RELEASE COMPLETE message has been received from the Subsequent PINX, GFT-Control shall: request Protocol Control to send a RELEASE message to the Preceding PINX and enter the `Transit_connection_idle` state.

When Protocol Control informs GFT-Control that a RELEASE message has been received from the Preceding PINX, GFT-Control shall: request Protocol Control to send a RELEASE message to the Subsequent PINX and enter the Transit_connection_idle state.

7.3.3.2.3 Actions in the Transit_connection_active state

If Protocol Control informs GFT-Control of the receipt of a FACILITY message from the Subsequent PINX, and if it contains a Facility information element that is to be passed on to the Preceding PINX (in accordance with 7.1.2.2), GFT-Control shall request Protocol Control to send a FACILITY message containing that Facility information element to the Preceding PINX.

If Protocol Control informs GFT-Control of the receipt of a FACILITY message from the Preceding PINX, and it contains a Facility information element that is to be passed on to the Subsequent PINX (in accordance with 7.1.2.2), GFT-Control shall request Protocol Control to send a FACILITY message containing that Facility information element to the Subsequent PINX.

If Protocol Control informs GFT-Control of the receipt of a RELEASE message from the Subsequent PINX, GFT-Control shall request Protocol Control to send a RELEASE message to the Preceding PINX and shall enter the Transit_connection_idle state.

If Protocol Control informs GFT-Control of the receipt of a RELEASE message from the Preceding PINX, GFT-Control shall request Protocol Control to send a RELEASE message to the Subsequent PINX and shall enter the Transit_connection_idle state.

7.3.3.3 Actions at a Terminating PINX

If GFT-Control receives any APDUs from Protocol Control in any of the messages which may contain a Facility information element (see clause 10), it shall examine the header of the Facility information element for the presence of an NFE. The treatment of the Facility information element based on this NFE shall be as defined in clause 7.1.2.2.

7.3.3.3.1 Actions in the Incoming_connection_idle state

If Protocol Control notifies GFT-Control of a received SETUP message that is to be terminated on the receiving PINX, and resources for the connection are available, GFT-Control shall request Protocol Control to send a CONNECT message and enter the Incoming_connection_active state.

NOTE 1

Before sending the CONNECT message GFT-Control should determine from the coordination function if any APDUs are to be included in the CONNECT message.

If no resources for the connection are available, GFT-Control shall: request Protocol Control to send a RELEASE message; and remain in the Incoming_connection_idle state.

NOTE 2

The RELEASE message is used in this case as Protocol Control has already returned a CALL PROCEEDING message to the Preceding PINX.

7.3.3.3.2 Actions in the Incoming_connection_active state

If the Coordination Function requests transfer of APDUs on the connection, GFT-Control shall instruct Protocol Control to send a FACILITY message to the Preceding PINX containing a Facility information element in accordance with 7.3.3.4.

If Protocol Control informs GFT-Control that a FACILITY message has been received from the Preceding PINX, GFT-Control shall remain in the same state.

If Protocol Control informs GFT-Control that a RELEASE message has been received from the Preceding PINX, it shall inform the Coordination Function that the connection has been released and enter the Incoming_connection_idle state.

If the Coordination Function requests that the connection be released, GFT-Control shall: request that Protocol Control send a RELEASE message; and enter the Incoming_connection_idle state.

7.3.3.4 Actions at a Source PINX

The actions defined in 7.1.2.1 shall apply.

7.3.3.5 Actions at a Destination PINX

The actions defined in 7.1.2.3 shall apply.

7.4 Call related procedures for the transport of Notifications

This clause defines the functional signalling procedures that support the delivery of notifications over the PISN in association with a Basic call.

7.4.1 Categories of notifications

Procedures are defined for the delivery of three types of notification information as follows:

- the delivery of simple notification indicators based on the Notification Indicator information element as described in 11.3.4;
- the delivery of notification ‘parameters’ that are specified as information elements using the encoding scheme defined in clause 14 of ECMA-143 within the pss1eNotification Notification defined in annex B.
- the delivery of notification components using an extension codepoint in octet 3 of the Notification indicator information element and ASN.1 encoded data structure in subsequent octets.

7.4.2 Protocol Control requirements

7.4.2.1 Sending notification information

The transport of notifications shall make use of the call reference of a Basic call and its underlying SCM connection. Notifications shall be sent using the Notification indicator information element.

If the delivery of the notification information coincides with the sending of the FACILITY message or any of the Basic call messages listed in clause 10 in which the Notification indicator information element is permitted, the notification may be carried in that message. Otherwise, the notification shall be delivered in a NOTIFY message.

However:

- if a SETUP message has been sent, but no response has been received from the Next PINX (i.e. the B-channel has not yet been agreed on the Outgoing side of the PINX);
- if a SETUP message has been received from the Preceding PINX, but no response has been sent (i.e. the B-channel has not yet been agreed on the Incoming side of the PINX); or,
- if a clearing message has already been sent to or received from the Next PINX

the notification information shall be discarded.

No state change shall occur on sending a NOTIFY message.

NOTE

In the case where the Notification indicator information element is sent to a PINX which does not conform to this Standard, the Notification indicator information element will be discarded by that PINX and a STATUS message (see 13 in ECMA-143) can be received. The STATUS message will indicate that either: the Notification indicator information element was unrecognised; or, that the message (NOTIFY or FACILITY) was unrecognised. In such cases, no further action should be taken.

7.4.2.2 Receiving notification information

On receipt of a Notification indicator information element, in the NOTIFY message or in any of the other messages listed in clause 10 in which the Notification indicator information element is permitted, it shall be passed to GFT-Control.

No state change shall occur on receipt of a NOTIFY message.

7.4.3 GFT-Control requirements

7.4.3.1 Actions at a PINX which generates notifications

A PINX which wishes to generate a notification shall request Protocol Control to send a Notification indicator information element.

7.4.3.2 Actions at a Transit PINX

If a Transit PINX receives a Notification indicator information element from the Preceding PINX, it shall request Protocol Control to send the Notification indicator information element to the Subsequent PINX.

If a Transit PINX receives a Notification indicator information element from the Subsequent PINX, it shall request Protocol Control to send the Notification indicator information element to the Preceding PINX.

7.4.3.3 Actions at a Receiving End PINX

If an End PINX receives a Notification indicator information element, at any time during a Call, it shall convey the information it contains to the PISN user - dependent on the ability of the PISN user's equipment to receive such information.

NOTE

Further (implementation specific) actions of a PINX receiving a notification (e.g. changing the state of a local non-Standard state machine) are not precluded and are beyond the scope of this Standard.

8 Application layer requirements

8.1 Coordination Function requirements

The behaviour of the Coordination Function in passing information between the various SS-Control entities, ROSE, DSE, ACSE, Call Control and GFT-Control is beyond the scope of this Standard, with the exception of the provisions in 8.1.1 and 8.1.2 relating to the handling of the Interpretation APDU, the routing of APDUs received from GFT-Control and error handling at a Destination PINX.

8.1.1 Inclusion of an Interpretation APDU at a Source PINX

If a Source PINX wishes to include additional information to facilitate handling of unrecognised ROSE APDUs of type InvokePDU (see 11.3.3.4) at a Destination PINX, it shall include an Interpretation APDU (see 11.3.3.2) as the first APDU in the sequence of APDUs sent to GFT-Control.

NOTE

Where two or more ROSE APDUs of type InvokePDU are to be sent simultaneously and the unrecognised InvokePDU handling requirements of each differs, the ROSE APDUs should be grouped in multiple Facility information elements, each with its own Interpretation APDU.

8.1.2 Handling of APDUs at a Destination PINX

The Coordination function shall process the APDUs received from GFT-Control based on the indication of protocol profile from GFT-Control:

- if the indication of protocol profile has the value 'ROSE', the Coordination Function shall deliver the remainder of the APDUs to ROSE, excluding the first APDU, if, according to its tag value, it is an Interpretation APDU;
- if the indication of protocol profile has the value 'ACSE', and ACSE is supported, the Coordination Function shall deliver the APDUs to ACSE, excluding the first APDU, if, according to its tag value, it is an Interpretation APDU;
- if the indication of protocol profile has the value 'DSE', and DSE is supported, the Coordination Function shall deliver the APDUs to DSE, excluding the first APDU, if, according to its tag value, it is an Interpretation APDU;
- in all other cases, the Coordination Function shall discard all the APDUs received from GFT-Control.

If the first APDU is an Interpretation APDU, the Coordination Function shall examine any ROSE APDU of type RejectPDU generated by ROSE as a result of the processing of these APDUs. If the element problem in the RejectPDU is of type InvokeProblem and has value unrecognisedOperation the action taken shall depend on the contents of the Interpretation APDU as follows:

- If the Interpretation APDU indicates rejectUnrecognisedInvokePdu the ROSE APDU of type RejectPDU shall be delivered to the destination indicated by ROSE;

- If the Interpretation APDU indicates `clearCallIfAnyInvokePduNotRecognised` the ROSE APDU of type `RejectPDU` shall be delivered to the destination indicated by ROSE, and Call Control shall be requested to clear the Basic call or Call independent signalling connection to which the `InvokePDU` was related;
- If the Interpretation APDU indicates `discardAnyUnrecognisedInvokePDU` the ROSE APDU of type `RejectPDU` shall be discarded.

If no Interpretation APDU is received, any ROSE APDUs of type `RejectPDU` shall be delivered to the destination indicated by ROSE.

8.2 ROSE requirements

The procedures specified in section 7 of X.229 for sending and receiving ROSE APDUs shall apply, with the exception that the Transfer services used shall be those provided by GFT-Control or those provided by ACSE or DSE.

As a minimum, a Destination PINX shall recognise received ROSE APDUs and reject those whose operation values are not supported. Additional requirements relating to the use of ROSE are supplementary service specific and are beyond the scope of this Standard.

8.3 ACSE requirements

The ACSE may be used to create an explicit application-association between two supplementary services control entities. When used, the procedures specified in section 7 of X.227 for sending and receiving ACSE APDUs shall apply, with the exception that the underlying services used shall be those provided implicitly by GFT-Control or DSE, and not those provided by the presentation-service.

As a minimum, a PINX which supports ACSE shall recognise received ACSE APDUs and reject those whose association context names are not recognised. Additional requirements relating to the use of ACSE are supplementary service specific and beyond the scope of this Standard.

8.4 DSE requirements

The DSE may be used to create a dialogue between two PINXs, to enable service requests and responses to be correlated, particularly when they do not exist within the context of the same network layer connection.

The DSE uses the underlying services provided by GFT-Control via the Coordination Function.

The coding requirements for the DSE APDUs are defined in 11.3.3.3.

Any DSE APDU, with the exception of a `DialogAbortPDU`, may contain one or more ROSE APDUs or one or more ACSE APDUs.

A state machine shall be associated with each dialogue within a PINX. Four dialogue states are defined:

- Idle: no dialogue exists;
- Initiate sending: a `DialogBeginPDU` has been sent, a `DialogContinuePDU` is awaited from the peer PINX;
- Initiate receiving: a `DialogBeginPDU` has been received, a request from the Coordination Function is awaited to continue or terminate the dialogue;
- Active: the dialogue is established.

8.4.1 Actions at the PINX which initiates the dialogue (PINX A)

8.4.1.1 Idle state procedures

When a request from the Coordination Function to initiate a dialogue is received, PINX A shall:

- send a `DialogBeginPDU` to the PINX identified in the request (PINX B). The element of type `OriginationDialogId` shall contain a dialogue identifier selected by PINX A that is sufficient to distinguish the dialogue from any others in which PINX A is involved. The `DialogBeginPDU` may also contain one or more ROSE APDUs or one or more ACSE APDUs relating to a particular supplementary service or services;
- start timer `T_Originating_Dialogue` (`T_OD`); and,
- enter the Initiate sending state.

The selected dialogue identifier shall be included in the element of type `OriginationDialogId` in all further `DialogContinuePDU`s sent from PINX A to PINX B for the duration of the dialogue.

8.4.1.2 Initiate sending state procedures

On receipt of a `DialogContinuePDU`, PINX A shall:

- cancel timer `T_Originating_Dialogue`;
- store the value of the element of type `OriginationDialogID`. This is the dialogue identifier selected by PINX B and shall be included in all DSE APDUs sent from PINX A to PINX B in the element of type `DestinationDialogId` for the duration of the dialogue;
- provide an indication of dialogue continuation to the Coordination Function; and,
- enter the Active state.

On receipt of a `DialogEndPDU`, PINX A shall consider the dialogue to be terminated, release the locally assigned dialogue identifier, inform the Coordination Function, cancel timer `T_Originating_Dialogue` and enter the Idle state.

On receipt of a `DialogAbortPDU`, PINX A shall consider the dialogue to be aborted, inform the Coordination Function, cancel timer `T_Originating_Dialogue` and enter the Idle state.

If a request to abort the dialogue is received from the Coordination Function, PINX A shall cancel timer `T_Originating_Dialogue`, release the locally assigned dialogue identifier and enter the Idle state.

If timer `T_Originating_Dialogue` expires, PINX A shall consider the dialogue to be aborted, inform the Coordination Function that the dialogue has been aborted, release the dialogue identifier assigned locally by PINX A and enter the Idle state.

8.4.2 Actions at the PINX which terminates the dialogue (PINX B)

8.4.2.1 Idle state procedures

On receipt of a `DialogBeginPDU` from PINX A, PINX B shall:

- check that the value of the element of type `OriginationDialogId` in the `DialogBeginPDU` is valid. If it is not valid, PINX B shall discard the `DialogBeginPDU` and remain in the idle state;
- save the value of the element of type `OriginationDialogId` in the `DialogBeginPDU`. This is the dialogue identifier selected by PINX A and shall be included in all DSE APDUs sent from PINX B to PINX A in the element of type `DestinationDialogId` for the duration of the dialogue;
- inform the Coordination Function; and,
- enter the Initiate receiving state.

8.4.2.2 Initiate receiving state procedures

If PINX B wishes to continue the dialogue, it shall:

- send a `DialogContinuePDU` to PINX A containing, in the element of type `OriginationDialogId`, a dialogue identifier selected by PINX B to be sufficient to distinguish the dialogue from any others in which PINX B is involved, and in the element of type `DestinationDialogId` the value received in the element of type `OriginationDialogId` in the `DialogBeginPDU` from PINX A; and,
- enter the Active state.

If PINX B cannot accept the dialogue, it shall send `DialogAbortPDU` to PINX A, release the stored dialogue identifier and enter the Idle state.

If PINX B wishes to end the dialogue, it shall send `DialogEndPDU` to PINX A, release the stored dialogue identifier and enter the Idle state.

8.4.3 Dialogue Continuation in the Active State

If a PINX wishes to continue the dialogue, it shall: send a `DialogContinuePDU` to the peer PINX and remain in the active state. The `DialogContinuePDU` may also contain one or more ROSE APDUs or one or more ACSE APDUs.

On receipt of a DialogContinuePDU, the PINX shall indicate dialogue continuation to the Coordination Function, together with any ROSE APDUs or ACSE APDUs contained in the received DialogContinuePDU.

On receipt of a DialogEndPDU, the PINX shall consider the dialogue to be terminated, inform the Coordination Function, release the dialogue identifier assigned locally and the identifier received from the peer PINX, and enter the Idle state.

On receipt of a DialogAbortPDU, the PINX shall consider the dialogue to be aborted, inform the Coordination Function, release the dialogue identifier assigned locally and the identifier received from the peer PINX, and enter the Idle state.

If a request to terminate the dialogue is received from the Coordination Function, the PINX shall send a DialogEndPDU to the peer PINX, release the dialogue identifier assigned locally and the identifier received from the peer PINX, and enter the idle state.

If a request to abort the dialogue is received from the Coordination Function, the PINX shall send a DialogAbortPDU to the peer PINX, release the dialogue identifier assigned locally and the identifier received from the peer PINX, and enter the idle state.

8.4.4 Dialogue Protocol Timers

Table 13 defines the protocol timers for the Dialogue procedures.

Table 13 - Dialogue Protocol Timers

Timer	State	Value	Normal Start	Normal Termination	Actions on expiry
T_OD	Initiate sending	Implementation dependent	On sending DialogBeginPDU	On receipt of a DialogContinuePDU, DialogEndPDU or DialogAbortPDU	Indicate to the Coordination Function that dialogue is aborted. Enter idle state.

8.4.5 Error procedures relating to dialogue control

If a PINX receives any DSE APDUs relating to the same dialogue from the peer PINX that are incorrectly formatted they shall be discarded.

If a PINX receives a DialogEndPDU or a DialogAbortPDU in the Idle state, the APDU shall be discarded and it shall remain in the Idle state.

If a PINX receives a DialogContinuePDU in the Idle state, it shall send a DialogAbortPDU containing an element of type DestinationDialogId which has the same value as the element of type OriginationDialogId in the received DialogContinuePDU, and remain in the Idle state. If a PINX receives a DialogContinuePDU in the Active state which contains, in the element of type OriginationDialogId an unrecognised dialogue identifier, it shall send a DialogAbortPDU containing an element of type DestinationDialogId which has the same value as the element of type OriginationDialogId in the received DialogContinuePDU, and remain in the Active state.

8.4.6 Example of a dialogue

Figure 10 shows an example of a dialogue between two PINXs, illustrating the usage and values of the origination and destination dialogue identifiers.

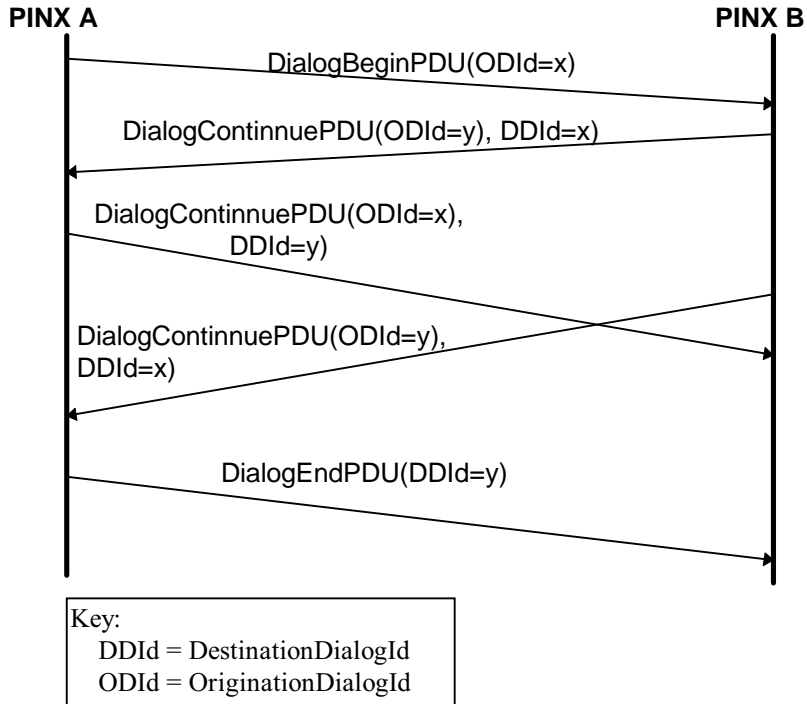


Figure 10 - A simple example of a Dialogue

8.4.7 Dynamic Description (SDL) of Dialogue Identification Protocol Procedures

Figure 12 provides an SDL representation of the dynamic aspects of the DSE protocol. Figure 11 contains a description of the elements used in figure 12.

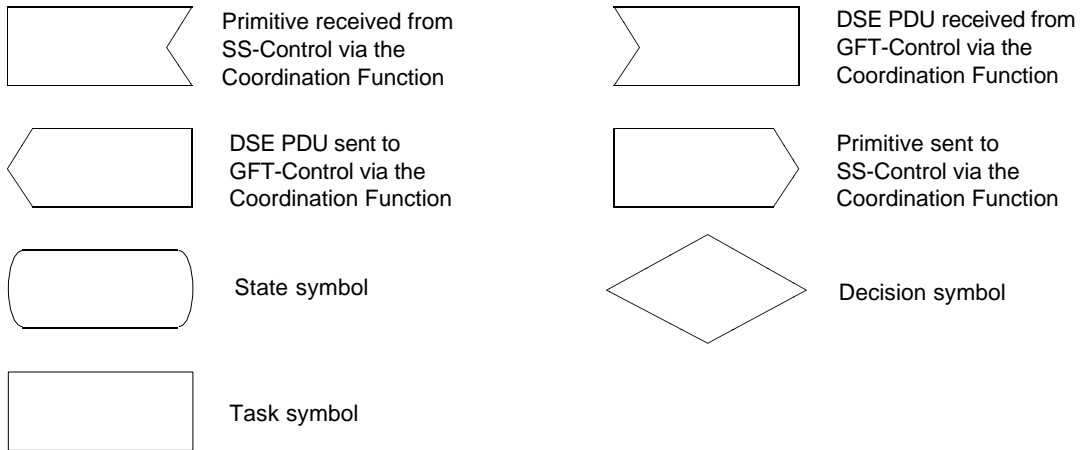


Figure 11 - Key to Dialogue SDL diagram in figure 12

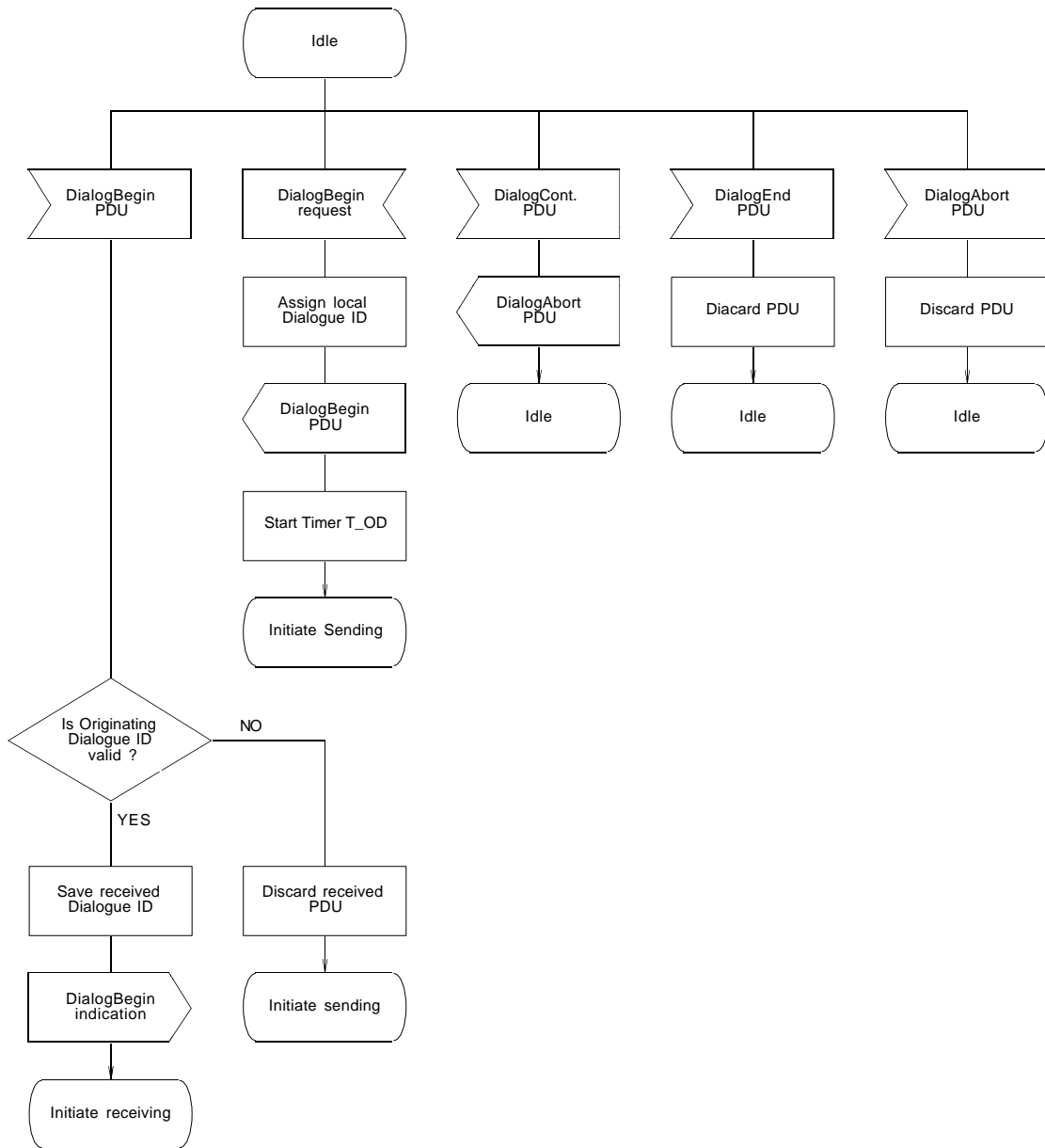


Figure 12 - Dialogue procedures dynamic description (sheet 1 of 4)

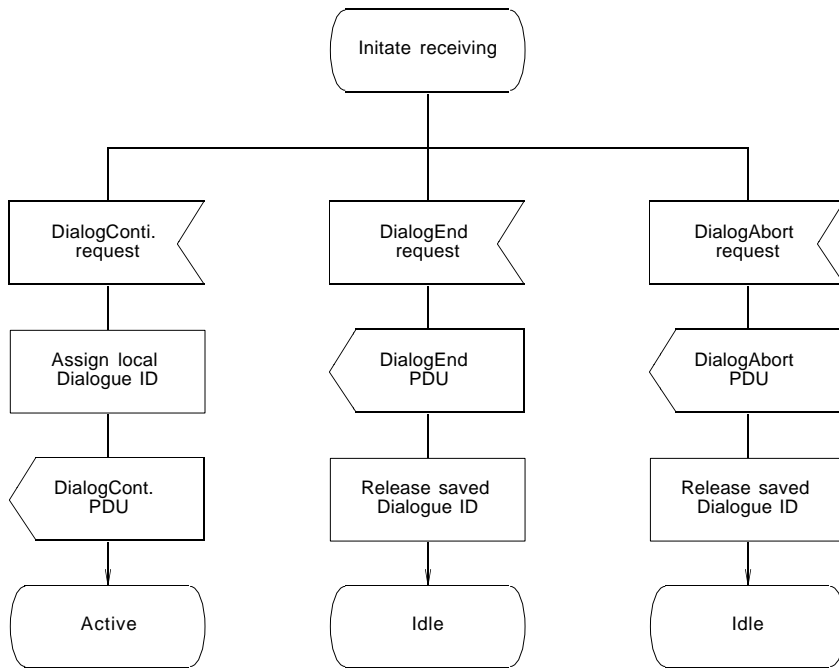


Figure 12 - Dialogue procedures dynamic description (sheet 2 of 4)

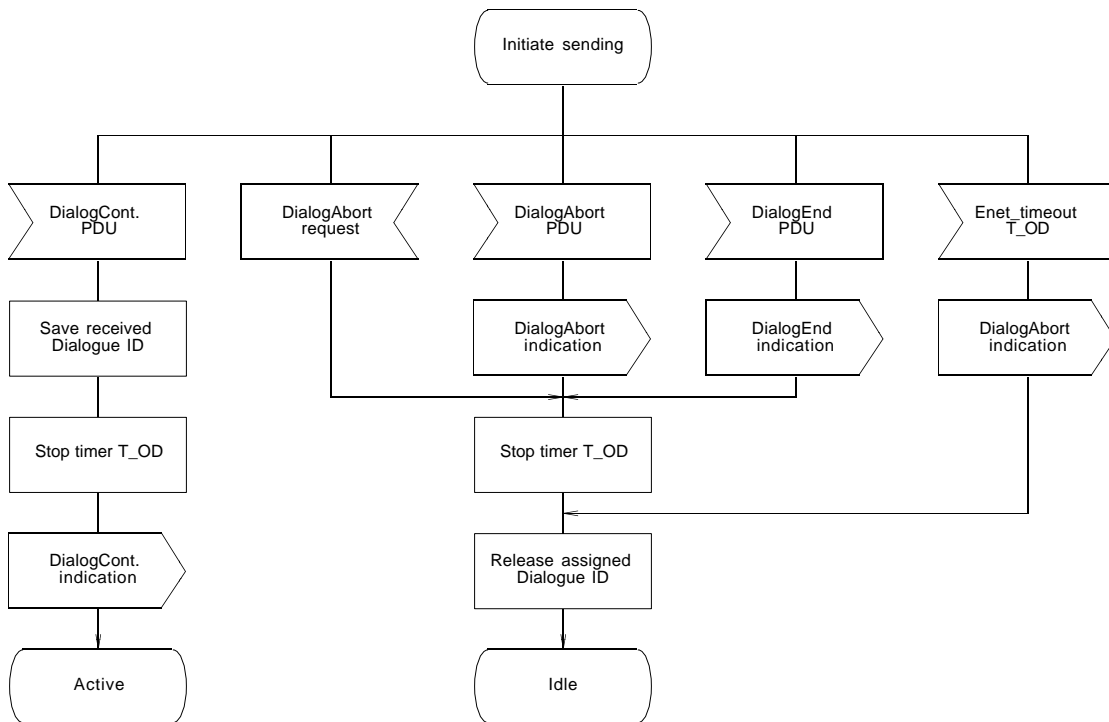


Figure 12 - Dialogue procedures dynamic description (sheet 3 of 4)

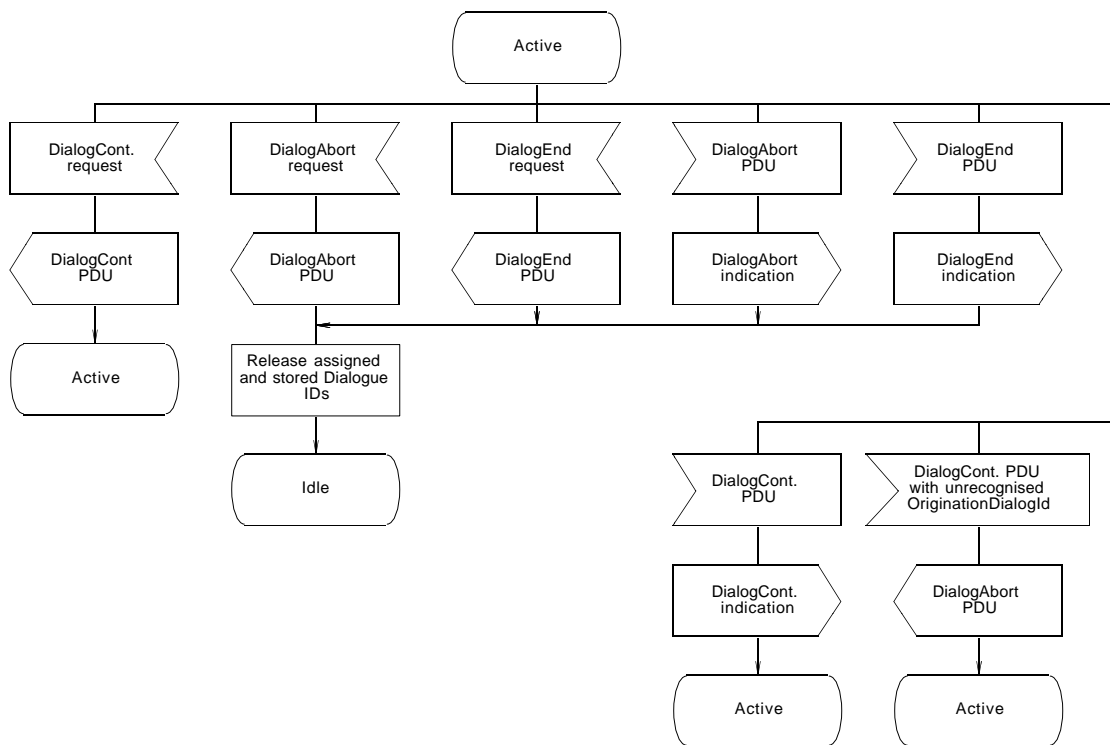


Figure 12 - Dialogue procedures dynamic description (sheet 4 of 4)

8.5 SS-Control requirements

The requirements for SS-Control are supplementary service specific and are beyond the scope of this Standard.

9 Manufacturer Specific Information

PSS1 permits the inclusion in messages of non-standardised information which is specific to a particular design of PINX or a particular network etc. This information is known as Manufacturer Specific Information (MSI).

Manufacturer specific information may exist in the PISN as a result of the following:

- manufacturer specific supplementary services;
- manufacturer specific extensions to Standard supplementary services; or
- manufacturer specific notifications.

In all these cases, any information which is manufacturer specific shall be encoded in such a way that it can be uniquely identified. Apart from the use of information elements belonging to codesets 6 or 7, as described in ECMA-143 for conveyance of MSI to an Adjacent PINX, any manufacturer specific information generated by a PINX conforming to this Standard shall be encoded in conformance with the contents of this clause.

9.1 Manufacturer specific operations

Manufacturer specific operations shall conform to the encoding and transport rules defined for standardised operations in other clauses of this Standard, but in addition shall make use of operation values which are unique to that manufacturer - i.e. of type OBJECT IDENTIFIER. If any non-standardised error values are to be included in a manufacturer specific operation, they shall be of type OBJECT IDENTIFIER. Examples of how manufacturer specific operations may be encoded are shown in annex F.

9.2 Manufacturer specific additions to standardised operations

As an alternative to the definition of a manufacturer specific operation, a manufacturer may wish to use an enhanced form of a standardised operation.

NOTE

This may be used, for example, to include additional parameters which are manufacturer specific as part of the Standard service (e.g. information describing the detailed location of a party involved in the service).

To allow for this possibility, Standards for supplementary services will include ‘placeholders’ for manufacturer specific extensions. Each placeholder will be an optional CHOICE construct containing an element of type Extension or a sequence of elements of type Extension (as defined in table 14) with the argument, result or error parameter of an operation. This placeholder may be included in the ROSE APDU if MSI is to be conveyed. An element of type Extension shall contain an element of type OBJECT IDENTIFIER to uniquely identify the MSI.

If the Destination PINX identifies an element of type Extension or a sequence of elements of type Extension in a standardised operation, when processing the contents of a received Facility information element in accordance with the relevant supplementary service standard, it shall act on an element of type Extension only if it recognises the value in the element of type OBJECT IDENTIFIER (see table 14). Otherwise the entire element of type Extension shall be discarded. In the case of a sequence of elements of type Extension (i.e. where multiple extensions to the service are defined) the PINX shall consider each element of type Extension separately - that is, only those elements of type Extension containing an unrecognised value in the element of type OBJECT IDENTIFIER shall be discarded.

Table 14 - Manufacturer specific extension mechanism

Manufacturer-specific-service-extension-definition			
{ iso(1) standard(0) pss1-generic-procedures(11582) msi-definition(0) }			
BEGIN			
DEFINITIONS		::=	
BEGIN			
EXPORTS			Extension, EXTENSION;
EXTENSION MACRO		::=	
TYPE NOTATION		::=	Argument
VALUE NOTATION		::=	Value (VALUE(OBJECT IDENTIFIER))
Argument		::=	"Argument" NamedType
NamedType		::=	identifier type type
END	-- of EXTENSION macro		
Extension	::=	SEQUENCE	
		{	manufacturer EXTENSION,
		ANY DEFINED BY	manufacturer
		}	
END	-- of Manufacturer-specific-service-extension-definition		

An example of the use of the Extension type is shown in annex F.

9.3 Manufacturer specific notifications

Manufacturer specific notifications may occur in the PISN as part of manufacturer specific supplementary services or as additions to standardised supplementary services. If provided, they shall be encoded and transported across the PISN in accordance with the rules for standardised notifications (see 7.4, 10 and 11.3.4).

Manufacturer specific notifications shall be conveyed using ASN.1 type NotificationDataStructure in octet 3.1 of the Notification indicator information element, as specified in 11.3.4.

Manufacturer specific notifications shall not make use of the notification description field (octet 3) of the Notification indicator information element, other than to include the ‘discriminator for notification extension’ codepoint (see 11.3.4).

10 Message functional definitions and contents

This clause describes additions to the call control messages defined in clause 13 of ECMA-143 and a number of new messages. The tables in this clause follow the conventions described in the introduction of clause 13 of ECMA-143.

Table 15 summarises the messages that may also be used for the transport of APDUs and notification information, including those already defined in ECMA-143.

Table 15 - PSS1 messages used for the transport of APDUs and notification information

<i>Call establishment messages</i>	<i>Reference:</i>
ALERTING	10.1
CONNECT	10.3
SETUP	10.4
<i>Call clearing messages</i>	<i>Reference:</i>
DISCONNECT	10.5
RELEASE	10.6
RELEASE COMPLETE	10.7
<i>Miscellaneous messages</i>	<i>Reference:</i>
FACILITY	10.8
NOTIFY	10.9
PROGRESS	10.10

10.1 ALERTING

Sub-clause 13.2.1 of ECMA-143 shall apply, with the following modification:

- the information elements shown in table 16 may also be included:

Table 16 - ALERTING message content

Information Element	Reference	Type	Length
Facility	11.3.3	O	3 - *
Notification indicator	11.3.4	O	3 - *

10.2 CALL PROCEEDING

Sub-clause 13.2.2 of ECMA-143 shall apply.

NOTE

Because of additional coding possibility in 11.3.2, the minimum length of the Channel identification information element can be 3 octets.

10.3 CONNECT

Sub-clause 13.2.3 of ECMA-143 shall apply, with the following modification:

- the information elements shown in table 17 may also be included:

Table 17 - CONNECT message content

Information Element	Reference	Type	Length
Facility	11.3.3	O	3 - *
Notification indicator	11.3.4	O	3 - *

NOTE

In case of establishment of Call Independant Signalling Connection the following information elements are not included:

*Channel identification,
Connected subaddress,
Notification indicator,
Low layer compatibility,
Progress indicator.*

10.4 SETUP

Sub-clause 13.2.10 of ECMA-143 shall apply, with the following modification:

- the information elements shown in table 18 may also be included:

Table 18 - SETUP message content

Information Element	Reference	Type	Length
Facility	11.3.3	O	3 - *
Notification indicator	11.3.4	O	3 - *

NOTE

Because of additional coding possibility in 11.3.2, the minimum length of the Channel identification information element can be 3 octets.

10.5 DISCONNECT

Sub-clause 13.2.5 of ECMA-143 shall apply, with the following modification:

- the information elements shown in table 19 may also be included:

Table 19 - DISCONNECT message content

Information Element	Reference	Type	Length
Facility	11.3.3	O	3 - *
Notification indicator	11.3.4	O	3 - *

10.6 RELEASE

Sub-clause 13.2.8 of ECMA-143 shall apply, with the following modification:

- the information elements shown in table 20 may also be included:

Table 20 - RELEASE message content

Information Element	Reference	Type	Length
Facility	11.3.3	O	3 - *

10.7 RELEASE COMPLETE

Sub-clause 13.2.9 of ECMA-143 shall apply, with the following modification:

- the information elements shown in table 21 may also be included:

Table 21 - RELEASE COMPLETE message content

Information Element	Reference	Type	Length
Facility	11.3.3	O	3 - *

10.8 FACILITY

This message, as shown in table 22, may be sent to transport APDUs. For the use of this message, refer to clause 7.

Table 22 - FACILITY message content

Message Type: FACILITY

Direction: both

Information Element	Reference	Type	Length
Protocol discriminator	14.2 - ECMA-143	M	1
Call reference	11.2	M	1 - 3 (note 1)
Message type	11.1	M	1
Facility	11.3.3	M	3 - *
Notification indicator	11.3.4	O	3 - *
Calling party number	14.5 - ECMA-143	O (note 2)	
Called party number	14.5 - ECMA-143	O (note 2)	4-32

NOTE 1

When the FACILITY message is used in a Connectionless manner, the dummy call reference (see 11.2) shall be used.

NOTE 2

This information element is mandatory when the FACILITY message is used in a Connectionless manner, otherwise it shall not be included.

10.9 NOTIFY

This message, as shown in table 23 may be sent by a PINX to provide notifications to a user, in association with a Basic call.

For the use of this message, see 7.4.

Table 23 - NOTIFY message content

Message Type: NOTIFY

Direction: both

Information Element	Reference	Type	Length
Protocol discriminator	14.2 - ECMA-143	M	1
Call reference	11.2	M	3
Message type	11.1	M	1
Notification indicator	11.3.4	M	3 - *

10.10 PROGRESS

Sub-clause 13.2.7 of ECMA-143 shall apply, with the following modification:

- the information elements shown in table 24 may also be included:

Table 24 - PROGRESS message content

Information Element	Reference	Type	Length
Facility	11.3.3	O	3 - *
Notification indicator	11.3.4	O	3 - *

11 General message format and information element coding

This clause describes information element coding in addition to that defined in clause 14 of ECMA-143.

Where the contents of an information element field are described using ASN.1 notation, the encoding of this field shall be as defined in 11.4.

11.1 Message Type

The following message type codings are additional to those defined in 14.4 of ECMA-143 and are used for the supplementary service specific messages defined in clause 10.

Table 25 - Message types applicable over the PISN

Bits							
8	7	6	5	4	3	2	1
0	1	1					<i>Miscellaneous messages</i>
			0	0	0	1	0 FACILITY
			0	1	1	1	0 NOTIFY

11.2 Call reference

Sub-clause 14.3 of ECMA-143 shall apply, with the following addition:

- The dummy call reference defined in figure 13 shall be used when a FACILITY message is sent in accordance with the procedures of 7.2.

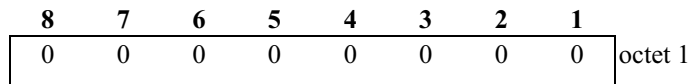


Figure 13 - Dummy call reference

11.3 Other information elements

For the information elements defined in this clause, the coding and presentation rules defined in 14.5 of ECMA-143 shall apply. Table 26 lists the information element codings in codeset zero defined in this Standard in addition to those defined in table 22, 14.5 of ECMA-143.

Table 26 - Additional codeset zero information elements

Bits																																				
<table style="width: 100%; border: none;"> <tr> <td style="padding: 2px 10px;">8</td> <td style="padding: 2px 10px;">7</td> <td style="padding: 2px 10px;">6</td> <td style="padding: 2px 10px;">5</td> <td style="padding: 2px 10px;">4</td> <td style="padding: 2px 10px;">3</td> <td style="padding: 2px 10px;">2</td> <td style="padding: 2px 10px;">1</td> <td style="padding: 2px 10px;"></td> </tr> <tr> <td style="padding: 2px 10px;">0</td> <td style="padding: 2px 10px;"></td> <td style="padding: 2px 10px;"></td> <td style="padding: 2px 10px;"></td> <td style="padding: 2px 10px;"></td> <td style="padding: 2px 10px;"></td> <td style="padding: 2px 10px;"></td> <td style="padding: 2px 10px;"></td> <td style="padding: 2px 10px;"><i>Variable length information elements</i></td> </tr> <tr> <td style="padding: 2px 10px;"></td> <td style="padding: 2px 10px;">0</td> <td style="padding: 2px 10px;">0</td> <td style="padding: 2px 10px;">1</td> <td style="padding: 2px 10px;">1</td> <td style="padding: 2px 10px;">1</td> <td style="padding: 2px 10px;">0</td> <td style="padding: 2px 10px;">0</td> <td style="padding: 2px 10px;">Facility</td> </tr> <tr> <td style="padding: 2px 10px;"></td> <td style="padding: 2px 10px;">0</td> <td style="padding: 2px 10px;">1</td> <td style="padding: 2px 10px;">0</td> <td style="padding: 2px 10px;">0</td> <td style="padding: 2px 10px;">1</td> <td style="padding: 2px 10px;">1</td> <td style="padding: 2px 10px;">1</td> <td style="padding: 2px 10px;">Notification indicator</td> </tr> </table>	8	7	6	5	4	3	2	1		0								<i>Variable length information elements</i>		0	0	1	1	1	0	0	Facility		0	1	0	0	1	1	1	Notification indicator
8	7	6	5	4	3	2	1																													
0								<i>Variable length information elements</i>																												
	0	0	1	1	1	0	0	Facility																												
	0	1	0	0	1	1	1	Notification indicator																												
All other values are reserved																																				

11.3.1 Bearer capability

Sub-clause 14.5.5 of ECMA-143 shall apply with the additional codepoints in table 27.

Table 27 - Bearer capability

<u>Coding standard (octet 3)</u>													
<table style="width: 100%; border: none;"> <tr> <td style="padding: 2px 10px;">Bits</td> </tr> <tr> <td style="padding: 2px 10px;">7</td> <td style="padding: 2px 10px;">6</td> <td style="padding: 2px 10px;"></td> </tr> <tr> <td style="padding: 2px 10px;">0</td> <td style="padding: 2px 10px;">1</td> <td style="padding: 2px 10px;">Other international standard (note 1)</td> </tr> </table>	Bits	7	6		0	1	Other international standard (note 1)						
Bits													
7	6												
0	1	Other international standard (note 1)											
<u>Information transfer capability (octet 3) for coding standard 'other international standard'</u>													
<table style="width: 100%; border: none;"> <tr> <td style="padding: 2px 10px;">Bits</td> </tr> <tr> <td style="padding: 2px 10px;">5</td> <td style="padding: 2px 10px;">4</td> <td style="padding: 2px 10px;">3</td> <td style="padding: 2px 10px;">2</td> <td style="padding: 2px 10px;">1</td> <td style="padding: 2px 10px;"></td> </tr> <tr> <td style="padding: 2px 10px;">0</td> <td style="padding: 2px 10px;">1</td> <td style="padding: 2px 10px;">0</td> <td style="padding: 2px 10px;">0</td> <td style="padding: 2px 10px;">0</td> <td style="padding: 2px 10px;">Unrestricted digital information</td> </tr> </table> <p style="padding: 2px 10px;">All other values are reserved</p>	Bits	5	4	3	2	1		0	1	0	0	0	Unrestricted digital information
Bits													
5	4	3	2	1									
0	1	0	0	0	Unrestricted digital information								
<u>Transfer mode(octet 4) for coding standard 'other international standard'</u>													
<table style="width: 100%; border: none;"> <tr> <td style="padding: 2px 10px;">Bits</td> </tr> <tr> <td style="padding: 2px 10px;">7</td> <td style="padding: 2px 10px;">6</td> <td style="padding: 2px 10px;"></td> </tr> <tr> <td style="padding: 2px 10px;">0</td> <td style="padding: 2px 10px;">0</td> <td style="padding: 2px 10px;">Call independent signalling connection</td> </tr> </table> <p style="padding: 2px 10px;">All other values are reserved</p>	Bits	7	6		0	0	Call independent signalling connection						
Bits													
7	6												
0	0	Call independent signalling connection											
<u>Information transfer rate (octet 4, bits 5 to 1) for coding standard 'other international standard'</u>													
<table style="width: 100%; border: none;"> <tr> <td style="padding: 2px 10px;">Bits</td> </tr> <tr> <td style="padding: 2px 10px;">5</td> <td style="padding: 2px 10px;">4</td> <td style="padding: 2px 10px;">3</td> <td style="padding: 2px 10px;">2</td> <td style="padding: 2px 10px;">1</td> <td style="padding: 2px 10px;"></td> </tr> <tr> <td style="padding: 2px 10px;">0</td> <td style="padding: 2px 10px;">0</td> <td style="padding: 2px 10px;">0</td> <td style="padding: 2px 10px;">0</td> <td style="padding: 2px 10px;">0</td> <td style="padding: 2px 10px;">Call independent signalling connection</td> </tr> </table> <p style="padding: 2px 10px;">All other values are reserved</p>	Bits	5	4	3	2	1		0	0	0	0	0	Call independent signalling connection
Bits													
5	4	3	2	1									
0	0	0	0	0	Call independent signalling connection								

NOTE 1

When this coding standard is indicated, the coding defined in 14.5.5 of ECMA-143 shall apply for octets 1 to 2 and bit 8 of octets 3 to 4. Information transfer capability, Transfer mode and Information transfer rate shall be encoded as indicated and no other octets shall be included.

11.3.2 Channel identification

Sub-clause 14.5.12 of ECMA-143 shall apply with the additional codepoints in table 28.

Table 28 - Channel identification information element (note 1)

<u>Signalling channel indicator (octet 3)</u>	
Bit	
3	
1	The channel identified is the signalling channel
<u>Information channel selection (octet 3)</u>	
Bits	
2 1	
0 0	No channel (note 2)

NOTE 1

Bits 8-4 of this octet are defined in accordance with sub-clause 14.5.12 of ECMA-143 and used in accordance with sub-clause 7.3.1.1 of this Standard.

NOTE 2

When this coding is indicated, octets 3.2 and 3.3 shall be omitted.

11.3.3 Facility

This clause defines only the structure and coding of the Facility information element. The purpose of Facility information element is to convey an optional Interpretation APDU and one or more ROSE APDUs, ACSE APDUs or DSE APDUs.

All APDUs contained in the Facility information element will be delivered to the same PINX (as identified by the NFE). If the different APDUs are to be processed by different PINXs, they shall be included in different Facility information elements.

The Facility information element may be repeated in a given message. The maximum length of the Facility information element is application dependent. The Facility information element is defined in figure 14 and tables 29 and 30.

8	7	6	5	4	3	2	1	
Facility								
0	0	0	1	1	1	0	0	octet 1
Information element identifier								
Length of information element contents								octet 2
1 ext	0 spare	0 spare	Protocol Profile					octet 3
Network Facility Extension (NFE) (note 1)								octet 3.1 * note 2)
Network Protocol Profile (note 3)								octet 3.2 * note 2)
Interpretation APDU (note 4)								octet 3.3 * note 2)
Service APDU(s) (note 5)								octets 4 etc.

Figure 14 - Facility information element

NOTE 1

The Network Facility Extension (NFE), as defined in 11.3.3.1, may be included, in accordance with the procedures of clause 7.

NOTE 2

Each of octet groups 3.1, 3.2 and 3.3 comprises an ASN.1 type encoded as defined in 11.4. The presence or absence of each of these octet groups can be determined from the presence or absence of the tag values concerned in the appropriate position in the Facility information element.

NOTE 3

The Network Protocol Profile may be included to specify the contents of the Service APDUs. If it is not included, the contents of all the Service APDUs shall be assumed to be ROSE.

NOTE 4

The Interpretation APDU, as defined in 11.3.3.2, may be included, in accordance with the procedures in 8.1.

NOTE 5

Octets 4 onwards shall comprise one of the following:

- one or more ROSE APDUs as defined in 11.3.3.4;
- one or more ACSE APDUs as defined in 11.3.3.5; or,
- one or more DSE APDUs as defined in 11.3.3.3.

The Network Protocol Profile shall comprise ASN.1 type NetworkProtocolProfile as defined in table 29 and encoded as defined in 11.4.

The Protocol Profile in octet 3 of the Facility information element shall be encoded as shown in table 30.

Table 29 - Network Protocol Profile

Network-Protocol-Profile-definition	
{ iso(1) standard(0) pss1-generic-procedures(11582) network-protocol-profile-definition(8) }	
DEFINITIONS	::=
BEGIN	
EXPORTS	NetworkProtocolProfile;
NetworkProtocolProfile	::= [18] IMPLICIT INTEGER { acse(19), dse(32) } (0..254)
END -- of Network Protocol Profile definition	

Table 30 - Protocol Profile Coding (octet 3)

Bits					
5	4	3	2	1	
1	1	1	1	1	Networking Extensions
All other values are reserved					

11.3.3.1 Network Facility Extension (NFE)

The NFE shall comprise ASN.1 type NetworkFacilityExtension as defined in table 31 and encoded in accordance with 11.4. This provides a means of routing the contents of the Facility information element within the context of a call or a call independent signalling connection across the PISN, and a means of identifying the origin and destination of the information, in accordance with the procedures of clause 7.

Table 10 in 7.1.2.1 describes the use of the particular elements of the NFE.

Table 31 - Network Facility Extension

Network-Facility-Extension	
{ iso(1) standard(0) pss1-generic-procedures(11582) network-facility-extension(2) }	
DEFINITIONS	::=
BEGIN	
EXPORTS	NetworkFacilityExtension;
IMPORTS	PartyNumber FROM Addressing-Data-Elements { iso(1) standard(0) pss1-generic-procedures(11582) addressing-data-elements(9) };
NetworkFacilityExtension	::= [10] IMPLICIT SEQUENCE { sourceEntity [0] IMPLICIT EntityType, sourceEntityAddress [1] AddressInformation OPTIONAL, destinationEntity [2] IMPLICIT EntityType, destinationEntityAddress [3] AddressInformation OPTIONAL }
EntityType	::= ENUMERATED { endPINX(0), anyTypeOfPINX(1) }
AddressInformation	::= PartyNumber
END -- of Network Facility Extension	

11.3.3.2 Interpretation APDU

The Interpretation APDU shall comprise ASN.1 type InterpretationAPDU as defined in table 32, encoded in accordance with 11.4. This APDU provides a means whereby the originator can include optional instructions to the receiving PINX for use in the event that it does not understand the operation value of an Invoke APDU contained in octets 4 onwards of the Facility information element.

Sub-clause 8.1 describes the use of the Interpretation APDU.

Table 32 - Interpretation APDU

<pre>Interpretation-Apdu { iso(1) standard(0) pss1-generic-procedures(11582) interpretation-apdu(3) } DEFINITIONS ::= BEGIN EXPORTS InterpretationApdu; InterpretationApdu ::= [11] IMPLICIT ENUMERATED { discardAnyUnrecognisedInvokePdu(0), clearCallIfAnyInvokePduNotRecognised(1), -- this value also applies to Call independent signalling connections -- see clause 8.1.2 rejectAnyUnrecognisedInvokePdu(2) -- this coding is implied by the absence of an -- interpretation APDU. } END -- of Interpretation-Apdu</pre>
--

11.3.3.3 DSE APDU

A DSE APDU shall comprise ASN.1 type DseAPDU as defined in table 33 and encoded in accordance with 11.4.

Table 33 - DSE APDUs

Dialog-Service-Pdus	
{ iso(1) standard(0) pss1-generic-procedures(11582) dialog-service-pdus(4) }	
DEFINITIONS	::=
BEGIN	
EXPORTS	DseAPDU;
IMPORTS	
RoseAPDU	FROM Remote-Operations-Apdus { iso(1) standard(0) pss1-generic-procedures(11582) remote-operations-apdus(5) }
AcseAPDU	FROM Association-Control-Apdus { iso(1) standard(0) pss1-generic-procedures(11582) association-control-apdus(1) }
Extension	FROM Manufacturer-specific-service-extension-definition { iso(1) standard(0) pss1-generic-procedures(11582) msi-definition(0) };
DseAPDU ::=	CHOICE { begin [12] IMPLICIT DialogBeginPDU, end [14] IMPLICIT DialogEndPDU, continue [15] IMPLICIT DialogContinuePDU, abort [17] IMPLICIT DialogAbortPDU }
DialogBeginPDU ::=	SEQUENCE { OriginationDialogId, RemoteOperationsPortion OPTIONAL }
DialogEndPDU ::=	SEQUENCE { DestinationDialogId, RemoteOperationsPortion OPTIONAL }
DialogContinuePDU ::=	SEQUENCE { OriginationDialogId, DestinationDialogId, RemoteOperationsPortion OPTIONAL }
DialogAbortPDU ::=	SEQUENCE { DestinationDialogId, CHOICE { P-AbortCause, UserAbortInformation }
OriginationDialogId	::= [0] IMPLICIT OCTET STRING SIZE(0..8)
DestinationDialogId	::= [1] IMPLICIT OCTET STRING SIZE(0..8)
P-AbortCause	::= [2] IMPLICIT INTEGER { unrecognisedDseA pdu(0), unrecognisedDialogId(1), badlyFormattedDseA pdu(2), incorrectDseA pdu(3), resourceLimitation(4) } (0..255)
UserAbortInformation	::= [3] IMPLICIT Extension
RemoteOperationsPortion	::= [4] IMPLICIT SEQUENCE OF CHOICE { [17] RoseAPDU, [19] AcseAPDU }
END	-- of Dialog-Service-Pdus

11.3.3.4 ROSE APDU

A ROSE APDU shall comprise ASN.1 type RoseAPDU as defined in table 34 and encoded in accordance with 11.4.

In accordance with X.229, ROSE APDUs are of four types:

- Invoke APDU (ASN.1 type InvokePDU, based on ROIV-APDU in X.229);
- Return result APDU (ASN.1 type ReturnResultPDU, based on RORR-APDU in X.229);
- Return error APDU (ASN.1 type ReturnErrorPDU, based on RORE-APDU in X.229);
- Reject APDU (ASN.1 type RejectPDU, based on RORJ-APDU in X.229).

NOTE 1

The definitions of types InvokePDU, ReturnResultPDU, ReturnErrorPDU and RejectPDU in table 34 are equivalent to the corresponding definitions in clause 9 of X.229 with the exception that a number of the ASN.1 types in table 34 (e.g. InvokeIdType) are size delimited to enhance interoperability in a multivendor PISN.

NOTE 2

Annex D gives a general overview of the ROSE protocol and its constituent parts. Annex G provides definitions of the problem codes for use in the RejectPDU types.

Invoke APDUs, return result APDUs and return error APDUs used in the context of a supplementary service will be implicitly defined by the operations and errors used by that supplementary service. These operations and errors will be defined using ASN.1 in the relevant supplementary service specifications (standardised or manufacturer specific).

Certain supplementary services may require the use within ROSE APDUs of existing information elements encoded according to the rules of 14.5 of ECMA-143 within the argument of an invoke APDU, the result of a return result APDU, or the parameter of a return error APDU (with the exception of the Facility information element, which shall not be included in this way). In such a case, these information elements shall be included within an element of type PSS1InformationElement within the argument or result of the operation concerned or the parameter of the error concerned. In this way, the ECMA-143 encoding for these information elements can be retained.

If more than one information element is to be included as part of the same argument, result or parameter, all the information elements shall be grouped together within the same element of type PSS1InformationElement. The type PSS1InformationElement is encoded as shown in table 40 on page 78.

Table 34 - ROSE APDUs (sheet 1 of 2)

Remote-Operations-Apdus		{ iso(1) standard(0) pss1-generic-procedures(11582) remote-operations-apdus(5) }	
DEFINITIONS	::=		
BEGIN			
EXPORTS	RoseAPDU;		
IMPORTS	OPERATION, ERROR FROM Remote-Operations-Notation { joint-iso-ccitt(2) remote-operations(4) notation(0) };		
RoseAPDU	::= CHOICE		
	{	invoke	[1] IMPLICIT InvokePDU,
		retResult	[2] IMPLICIT ReturnResultPDU,
		retError	[3] IMPLICIT ReturnErrorPDU,
		reject	[4] IMPLICIT RejectPDU }
InvokePDU	::= SEQUENCE		
	{	invokeID	InvokeIDType,
		linkedID	[0] IMPLICIT InvokeIDType OPTIONAL,
		operationValue	OPERATION,
		argument	ANY DEFINED BY operationValue OPTIONAL }
ReturnResultPDU	::= SEQUENCE		
	{	invokeID	InvokeIDType,
		SEQUENCE	
		{	operationValue
		result	OPERATION, ANY DEFINED BY operationValue } OPTIONAL }
ReturnErrorPDU	::= SEQUENCE		
	{	invokeID	InvokeIDType,
		errorValue	ERROR,
		parameter	ANY DEFINED BY errorValue OPTIONAL }
RejectPDU	::= SEQUENCE		
	{	invokeID	CHOICE
			{ InvokeIDType, NULL },
		problem	CHOICE
			{ [0] IMPLICIT GeneralProblem, [1] IMPLICIT InvokeProblem, [2] IMPLICIT ReturnResultProblem, [3] IMPLICIT ReturnErrorProblem }
InvokeIDType	::=	INTEGER(-32768..32767)	

Table 34 - ROSE APDUs (sheet 2 of 2)

GeneralProblem	::=	INTEGER { unrecognizedAPDU(0), mistypedAPDU(1), badlyStructuredAPDU(2) }	(0..255)
InvokeProblem	::=	INTEGER { duplicateInvocation(0), unrecognisedOperation(1), mistypedArgument(2), resourceLimitation(3), initiatorReleasing(4), unrecognisedLinkedIdentifier(5), linkedResponseUnexpected(6), unexpectedChildOperation(7) }	(0..255)
ReturnResultProblem	::=	INTEGER { unrecognizedInvocation(0), resultResponseUnexpected(1), mistypedResult(2) }	(0..255)
ReturnErrorProblem	::=	INTEGER { unrecognizedInvocation(0), errorResponseUnexpected(1), unrecognisedError(2), unexpectedError(3), mistypedParameter(4) }	(0..255)
END -- of Remote-Operations-Apdus			

11.3.3.5 ACSE APDU

An ACSE APDU shall comprise ASN.1 type AcseAPDU as defined in table 35 and encoded in accordance with 11.4.

Type ACSE-apdu is defined in section 9 of X.227.

Table 35 - ACSE APDUs

Association-Control-Apdus	
{ iso(1) standard(0) pss1-generic-procedures(11582) association-control-apdus(1) }	
DEFINITIONS	::=
BEGIN	
EXPORTS	AcseAPDU;
IMPORTS	ACSE-apdu FROM ACSE-1
{ joint-iso-ccitt association-control(2) abstract-syntax(1) apdus(0) version(1) };	
AcseAPDU	::= ACSE-apdu
END --of Association-Control-Apdus	

11.3.4 Notification indicator

The purpose of the Notification indicator information element is to convey a notification.

The Notification indicator information element is coded as shown in figure 15 and tables 36 and 37. The maximum length of the information element is application dependent.

The Notification indicator information element may be repeated in a message.

8	7	6	5	4	3	2	1	
0	Notification indicator						1	octet 1
	0	1	0	0	1	1	1	
Information element identifier								
Length of information element contents								octet 2
1 ext	Notification Description (table 36)							octet 3
ASN.1 encoded Notification Data Structure (table 37)								octet 4 * (note 1)

Difference from ISO/IEC 11582

The last octet is numbered "octet 3.1" in the ISO/IEC International Standard.

End of Difference

Figure 15 - Notification indicator information element

NOTE 1

Octet 4 shall only be included when the notification description indicates the "discriminator for notification extension" or "discriminator for extension to ASN.1 notification data structure".

Table 36 - Notification Description encoding (octet 3)

Bits						
7	6	5	4	3	2	1
0	0	0	0	0	0	0
to						
reserved for notification values assigned by ITU-T						
0	0	0	0	0	1	0
0	0	0	0	0	1	1
0	0	0	0	1	0	0
to						
reserved for notification values assigned by ITU-T						
0	0	1	1	1	1	1
0	1	0	0	0	0	0
to						
reserved for notification values assigned by ISO						
0	1	1	1	1	1	1
1	0	0	0	0	0	0
discriminator for extension to ISO defined ASN.1 encoded notification data structure						
1	0	0	0	0	0	1
to						
reserved for notification values assigned by ITU-T						
1	1	1	1	1	1	1
All values shall be treated as valid						

Notification Description value "discriminator for notification extension" shall be used for notifications defined using ASN.1 in which the notification value is either of type INTEGER with a value defined by ITU-T or of

type OBJECT IDENTIFIER. Notification values of type OBJECT IDENTIFIER include manufacturer specific notifications (see 9.3). Notification Description value “discriminator for extension to ISO defined ASN.1 encoded data structure” shall be used for notifications defined using ASN.1 in which the notification value is of type INTEGER with a value defined by ISO. In either case, octet 4 shall contain ASN.1 type NotificationDataStructure, as defined in table 37. Element notificationTypeID shall contain the notification value and element notificationArgument shall contain any additional data. Table 37 also defines the ASN.1 NOTIFICATION macro used for defining notifications that can be carried in the Notification indicator.

Difference from ISO/IEC 11582

The last sentence above does not appear in the ISO/IEC International Standard.

End of Difference

Table 39 in annex B also defines the notification pss1IeNotification, which can be used to convey PSS1 information elements as a notification. Other notifications will be defined using the NOTIFICATION macro in the relevant supplementary services specifications (standardised or manufacturer specific).

Table 37 - ASN.1 encoded Notification Data Structure

```

Notification-Data-Structure
  { iso( 1) standard( 0) pss1-generic-procedures( 11582) notification-data-structure( 7) }

DEFINITIONS ::=
BEGIN

EXPORTS    NOTIFICATION, NotificationDataStructure;

NOTIFICATION MACRO ::=
BEGIN

TYPE NOTATION    ::= Argument
VALUE NOTATION   ::= value ( VALUE CHOICE
                          {  localValue    INTEGER,
                            globalValue    OBJECT IDENTIFIER  })

Argument          ::= "ARGUMENT" NamedType
NamedType         ::= identifier type | type

END -- of NOTIFICATION MACRO

NotificationDataStructure ::= SEQUENCE
                              {  notificationTypeID    NOTIFICATION,
                                notificationArgument    ANY DEFINED BY
                                                            notificationTypeID  }

-- ANY is filled by the single ASN.1 type following
-- the keyword ARGUMENT in the type definition of a particular
-- notification

END -- of Notification-Data-Structure

```

```
Difference from ISO/IEC 11582
The above table is modified from that in ISO/IEC 11582. The middle part table in the ISO/IEC International
Standard is:
.....
EXPORTS      NotificationDataStructure;
IMPORTS      NOTIFICATION      FROM Notification-Macro
              { iso( 1) standard( 0) pss1-generic-procedures( 11582)
                notification-macro( 10) };
NotificationDataStructure ::= SEQUENCE
.....
End of Difference
```

11.4 Encoding of information described using ASN.1

Where the contents of an information element field are defined using ASN.1 notation, the encoding of this field shall be in accordance with the Basic Encoding Rules (BER) defined in X.209 with the following restrictions:

- when the definite form is used for length encoding, a data value of length less than 128 octets shall have the length encoded in the short form;
- when the long form is used for length encoding, the minimum number of octets shall be used to encode the length field; and,
- values of the type OCTET STRING or BIT STRING shall be encoded in a primitive form.

Receiving entities shall be able to interpret all length forms of the basic encoding rules.

Annex A

(normative)

Protocol Implementation Conformance Statement (PICS) for ECMA-165

A.1 Introduction

The supplier of a protocol implementation which is claimed to conform to ECMA-165 shall complete the following Protocol Implementation Conformance Statement (PICS) proforma.

A completed PICS proforma is the PICS for the implementation in question. The PICS is a statement of which capabilities and options of the protocol have been implemented. The PICS can have a number of uses, including use:

- by the protocol implementor, as a check list to reduce the risk of failure to conform to the standard through oversight;
- by the supplier and acquirer - or potential acquirer - of the implementation, as a detailed indication of the capabilities of the implementation, stated relative to the common basis for understanding provided by the standards PICS proforma;
- by the user or potential user of the implementation, as a basis for initially checking the possibility of interworking with another implementation;

NOTE

While interworking can never be guaranteed, failure to interwork can often be predicted from incompatible PICS's.

- by a protocol tester, as the basis for selecting appropriate tests against which to assess the claim for conformance of the implementation.

A.2 Instructions for completing the PICS proforma

A.2.1 General structure of the PICS proforma

The PICS proforma is a fixed format questionnaire divided into sub-clauses each containing a group of individual items. Each item is identified by an item number, the name of the item (question to be answered), and the reference(s) to the clause(s) that specifies (specify) the item in the main body of this Standard.

The “Status” column indicates whether an item is applicable and if so whether support is mandatory or optional. The following terms are used:

m	mandatory (the capability is required for conformance to the protocol);
o	optional (the capability is not required for conformance to the protocol, but if the capability is implemented it is required to conform to the protocol specifications);
o.<n>	optional, but support of at least one of the group of options labelled by the same numeral <n> is required;
x	prohibited;
c.<cond>	conditional requirement, depending on support for the item or items listed in condition <cond>;
<item>;m	simple conditional requirement, the capability being mandatory if item number <item> is supported, otherwise not applicable;
<item>;o	simple conditional requirement, the capability being optional if item number <item> is supported, otherwise not applicable.

Answers to the questionnaire items are to be provided either in the “Support” column, by simply marking an answer to indicate a restricted choice (Yes or No), or in the “Not Applicable” column (N/A).

A.2.2 Additional information

Items of Additional Information allow a supplier to provide further information intended to assist the interpretation of the PICS. It is not intended or expected that a large quantity will be supplied, and a PICS can be considered complete without any such information. Examples might be an outline of the ways in which a (single) implementation can be set up to operate in a variety of environments and configurations.

References to items of Additional Information may be entered next to any answer in the questionnaire, and may be included in items of Exception information.

A.2.3 Exception information

It may occasionally happen that a supplier will wish to answer an item with mandatory or prohibited status (after any conditions have been applied) in a way that conflicts with the indicated requirement. No pre-printed answer will be found in the Support column for this: instead, the supplier is required to write into the support column an x.<i> reference to an item of Exception Information, and to provide the appropriate rationale in the Exception item itself.

An implementation for which an Exception item is required in this way does not conform to ECMA-165.

NOTE

A possible reason for the situation described above is that a defect in the Standard has been reported, a correction for which is expected to change the requirement not met by the implementation.

A.3 PICS proforma

A.3.1 Implementation Identification

Supplier (note 1)	
Contact point for queries about the PICS (note 1)	
Implementation Name(s) and Version(s) (note 1, note 2)	
Other information necessary for full identification - e.g., name(s) and version(s) for machines and/or operating systems; System name(s)	

NOTE 1

Only the first three items are required for all implementations; other information may be completed as appropriate in meeting the requirement for full identification.

NOTE 2

The terms Name and Version should be interpreted appropriately to correspond with a suppliers terminology (e.g. Type, Series, Model).

A.3.2 Protocol Summary, ECMA-165

Protocol version	1.0
Addenda Implemented (if applicable)	
Amendments Implemented	
Have any exception items been required ?	No[]Yes[] (The answer Yes means that the implementation does not conform to ECMA-165)
Date of Statement	

A.3.3 Call Related Protocol Control and GFT-Control requirements

ITEM	QUESTION/FEATURE	REFERENCE	STATUS	N/A	SUPPORT
A1	Can the implementation act as a Source PINX for APDUs?	7.1.1.1	o		Yes[] No []
A3	Sending the Facility information element	7.1.1.1	m		Yes []
A4	Receiving the Facility information element	7.1.1.2	m		Yes []
A5	Actions at a Source PINX	7.1.2.1	A1:m	[]	Yes []
A6	Actions at a Receiving PINX	7.1.2.2	m		Yes []
A7	Can the PINX act as an Originating, Terminating, Incoming or Outgoing GatewayPINX as defined in ECMA-143?	4 & ECMA-143	o.1		Yes[] No []
A8	End PINX actions	7.1.2.2.1	A7:m	[]	Yes []
A9	Actions at a Destination PINX	7.1.2.3	m		Yes []
A10	Can the PINX act as a Transit PINX as defined in ECMA-143 ?	4 & ECMA-143	o.1		Yes[] No []
A11	Transit PINX actions	7.1.2.2.2	A10:m	[]	Yes []
A12	Can the implementation generate notification information ?	7.4	o		Yes[] No []
A13	Sending notification information	7.4.2.1	A12:m	[]	Yes []
A14	Receiving notification information	7.4.2.2	m		Yes []
A15	Actions at a PINX which generates notifications	7.4.3.1	A12:m	[]	Yes []
A16	Actions at a Transit PINX	7.4.3.2	A10:m	[]	Yes []
A17	Actions at a Receiving End PINX	7.4.3.3	A7:m	[]	Yes []

A.3.4 Connectionless APDU transport mechanism

ITEM	QUESTION/FEATURE	REFERENCE	STATUS	N/A	SUPPORT
B1	Does the PINX support Connectionless APDU transport?	7.2	o		Yes[] No []
B2	Requirements for sending a Connectionless message	7.2.1.1	B1:m	[]	Yes []
B3	Requirements for receiving a Connectionless message	7.2.1.2	B1:m	[]	Yes []
B4	Actions at a Receiving PINX	7.2.2.2	B1:m	[]	Yes []
B6	Actions at a Destination PINX	7.2.2.3	B1:m	[]	Yes [] No []
B7	Actions at a Source PINX	7.2.2.1	B1:o	[]	Yes [] No []

A.3.5 Connection oriented APDU transport mechanism

ITEM	QUESTION/FEATURE	REFERENCE	STATUS	N/A	SUPPORT
C1	Does the PINX support connection-oriented APDU transport?	7.3	o		Yes [] No []
C2	Can the implementation act as a Source PINX for APDUs when supporting the Connection oriented APDU transport mechanism ?	7.3	C1:o	[]	Yes [] No []
C3	Connection oriented transport mechanism - Protocol Control requirements	7.3.1	C1:m	[]	Yes []
C4	Actions at an Originating PINX	7.3.3.1	C1:o	[]	Yes [] No []
C5	Actions at a Transit PINX	7.3.3.2	c.1	[]	Yes []
C6	Actions at a Terminating PINX	7.3.3.3	C1:o	[]	Yes [] No []
C7	Actions at a Source PINX	7.3.3.4	C2:m	[]	Yes []
C8	Actions at a Destination PINX	7.3.3.5	C1:m	[]	Yes []

c.1 IF (A10 AND C1) THEN m, ELSE N/A

A.3.6 Coordination Function requirements

ITEM	QUESTION/FEATURE	REFERENCE	STATUS	N/A	SUPPORT
D1	Inclusion of an Interpretation APDU at a Source PINX	8.1.1	o		Yes [] No []
D2	Handling of APDUs at a Destination PINX	8.1.2	m		Yes []

A.3.7 ROSE requirements

ITEM	QUESTION/FEATURE	REFERENCE	STATUS	N/A	SUPPORT
E1	ROSE requirements	8.2	m		Yes []

A.3.8 ACSE requirements

ITEM	QUESTION/FEATURE	REFERENCE	STATUS	N/A	SUPPORT
G1	Does implementation support the ACSE protocol ?	8.3	o		Yes [] No []
G2	ACSE requirements	8.3	G1:m	[]	Yes []

A.3.9 DSE requirements

ITEM	QUESTION/FEATURE	REFERENCE	STATUS	N/A	SUPPORT
F1	Does implementation support the DSE protocol?	8.4	o		Yes [] No []
F2	Actions at the PINX which initiates the dialogue	8.4.1	F1:o.2	[]	Yes [] No []
F3	Actions at the PINX which terminates the dialogue	8.4.2	F1:o.2	[]	Yes [] No []
F4	Actions for dialogue continuation	8.4.3	F1:m	[]	Yes []
F5	T_Originating_Dialogue	8.4.4	F2:m	[]	Yes [] value [s]
F6	Error procedures relating to dialogue control	8.4.5	F1:m	[]	Yes []

A.3.10 Manufacturer specific information

ITEM	QUESTION/FEATURE	REFERENCE	STATUS	N/A	SUPPORT
H1	Manufacturer specific operations	9.1	o		Yes [] No []
H2	Manufacturer specific additions to standardised operations	9.2	o		Yes [] No []
H3	Manufacturer specific notifications	9.3	o		Yes [] No []

A.3.11 Messages and information elements

ITEM	QUESTION/FEATURE	REFERENCE	STATUS	N/A	SUPPORT
I1	General message format and information element coding	11	m		Yes []
I2	Message type	11.1	m		Yes []
I3	Dummy Call reference	11.2	B1:m	[]	Yes []
I4	Bearer Capability	11.3.1	C1:m	[]	Yes []
I5	Channel identification	11.3.2	C1:m	[]	Yes []
I6	Facility information element structure	11.3.3	m		Yes []
I7	Network Facility Extension	11.3.3.1	m		Yes []
I8	Interpretation APDU	11.3.3.2	m		Yes []
I9	DSE APDUs	11.3.3.3	F1:m	[]	Yes []
I10	ROSE APDUs	11.3.3.4	m		Yes []
I11	Notification indicator	11.3.4	m		Yes []
I12	ACSE APDUs	11.3.3.5	G1:m	[]	Yes []
I13	Encoding of ASN.1 defined elements	11.4	m		Yes []
I14	Network Protocol Profile	11.3.3	m		Yes []

A.3.12 Implemented parameters in ECMA-165 messages

NOTE

In the following clauses, the headings 'Orig' and 'Rx' should be interpreted as follows:

'Orig': the capability to originate the element specified - i.e. create the element and send it on an PSS1link; not relay the element having received it from a Preceding PINX.

'Rx': the capability to correctly receive and process the specified element as a valid element from a Preceding PINX; including relay of the element to a Subsequent PINX if acting as a Transit PINX for the related call or connection.

A.3.12.1 ALERTING message

ITEM	QUESTION/FEATURE	REFERENCE	STATUS	N/A	SUPPORT
J1	Facility information element - Orig	10.1, 11.3.3	A1:o.3	[]	Yes [] No []
J2	Facility information element - Rx	10.1, 11.3.3	m		Yes []
J3	Notification indicator information element - Orig	10.1, 11.3.4	A12:o.4	[]	Yes [] No []
J4	Notification indicator information element - Rx	10.1, 11.3.4	m		Yes []

A.3.12.2 CONNECT message

ITEM	QUESTION/FEATURE	REFERENCE	STATUS	N/A	SUPPORT
K1	Facility information element - Orig	10.3, 11.3.3	c.2	[]	Yes [] No []
K2	Facility information element - Rx	10.3, 11.3.3	m		Yes []
K3	Notification indicator information element - Orig	10.3, 11.3.4	A12:o.4	[]	Yes [] No []
K4	Notification indicator information element - Rx	10.3, 11.3.4	m		Yes []

c.2 IF (A1 OR C2) THEN o.3, ELSE N/A

A.3.12.3 SETUP message

ITEM	QUESTION/FEATURE	REFERENCE	STATUS	N/A	SUPPORT
L1	Facility information element - Orig	10.4, 11.3.3	c.2	[]	Yes [] No []
L2	Facility information element - Rx	10.4, 11.3.3	m		Yes []
L3	Notification indicator information element - Orig	10.4, 11.3.4	A12:o.4	[]	Yes [] No []
L4	Notification indicator information element - Rx	10.4, 11.3.4	m		Yes []
L5	Transit counter information element - Orig	7.3.1.1, 6.3 of ECMA-225	o		Yes [] No []
L6	Transit counter information element - Rx	7.3.1.1, 6.3 of ECMA-225	m		Yes []

Difference from ISO/IEC 11582

The PICS items L5 and L6 in the above table are a consequence of the added procedures for Transit Counter in 7.3.1.1 above. These questions do not yet appear in the ISO/IEC International Standard.

End of Difference

A.3.12.4 DISCONNECT message

ITEM	QUESTION/FEATURE	REFERENCE	STATUS	N/A	SUPPORT
M1	Facility information element - Orig	10.5, 11.3.3	A1:o.3	[]	Yes [] No []
M2	Facility information element - Rx	10.5, 11.3.3	m		Yes []
M3	Notification indicator information element - Orig	10.5, 11.3.4	A12:o.4	[]	Yes [] No []
M4	Notification indicator information element - Rx	10.5, 11.3.4	m		Yes []

A.3.12.5 RELEASE message

ITEM	QUESTION/FEATURE	REFERENCE	STATUS	N/A	SUPPORT
N1	Facility information element - Orig	10.6, 11.3.3	c.2	[]	Yes [] No []
N2	Facility information element - Rx	10.6, 11.3.3	m		Yes []

A.3.12.6 RELEASE COMPLETE message

ITEM	QUESTION/FEATURE	REFERENCE	STATUS	N/A	SUPPORT
O1	Facility information element - Orig	10.7, 11.3.3	c.2	[]	Yes [] No []
O2	Facility information element - Rx	10.7, 11.3.3	m		Yes []

A.3.12.7 FACILITY message

ITEM	QUESTION/FEATURE	REFERENCE	STATUS	N/A	SUPPORT
P1	FACILITY message - Orig	10.8	c.3	[]	Yes [] No []
P2	Protocol discriminator- Orig	10.8, (14.2 ECMA-143)	P1:m	[]	Yes []
P3	Protocol discriminator- Rx	10.8, (14.2 ECMA-143)	m		Yes []
P4	Call reference-Orig	10.8, 11.2	P1:m	[]	Yes []
P5	Call reference-Rx	10.8, 11.2	m		Yes []
P6	Message type-Orig	10.8, 11.1	P1:m	[]	Yes []
P7	Message type-Rx	10.8, 11.1	m		Yes []
P8	Calling party number - Orig	10.8, 14.5 of ECMA-143	B7:m	[]	Yes []
P9	Calling party number - Rx	10.8, 14.5 of ECMA-143	B1:m	[]	Yes []
P10	Called party number - Orig	10.8, 14.5 of ECMA-143	B7:m	[]	Yes []
P11	Called party number - Rx	10.8, 14.5 of ECMA-143	B1:m	[]	Yes []
P12	Facility information element - Orig	10.8, 11.3.3	P1:m	[]	Yes []
P13	Facility information element - Rx	10.8, 11.3.3	m		Yes []
P14	Notification indicator information element - Orig	10.8, 11.3.4	c.4	[]	Yes [] No []
P15	Notification indicator information element - Rx	10.8, 11.3.4	m		Yes []

c.3 IF (A1 OR C2) THEN o.3ELSE IF B7 THEN mELSE N/A

c.4 IF (P1 AND A12) THEN o.4ELSE N/A

A.3.12.8 NOTIFY message

ITEM	QUESTION/FEATURE	REFERENCE	STATUS	N/A	SUPPORT
Q1	NOTIFY message - Orig	10.9	A12:o.4	[]	Yes [] No []
Q2	Protocol discriminator - Orig	10.9, (14.2 of ECMA-143)	Q1:m	[]	Yes []
Q3	Protocol discriminator- Rx	10.9, (14.2 of ECMA-143)	m		Yes []
Q4	Call reference - Orig	10.9, 11.2	Q1:m	[]	Yes []
Q5	Call reference - Rx	10.9, 11.2	m		Yes []
Q6	Message type - Orig	10.9, 11.1	Q1:m	[]	Yes []
Q7	Message type - Rx	10.9, 11.1	m		Yes []
Q8	Notification Indicator - Orig	10.9, 11.3.4	Q1:m	[]	Yes []
Q9	Notification Indicator - Rx	10.9, 11.3.4	m		Yes []

A.3.12.9 PROGRESS message

ITEM	QUESTION/FEATURE	REFERENCE	STATUS	N/A	SUPPORT
R1	Facility information element - Orig	10.10, 11.3.3	A1:o.3	[]	Yes [] No []
R2	Facility information element - Rx	10.10, 11.3.3	m		Yes []
R3	Notification indicator information element - Orig	10.10, 11.3.4	A12:o.4	[]	Yes [] No []
R4	Notification indicator information element - Rx	10.10, 11.3.4	m		Yes []

Annex B

(normative)

ASN.1 definitions of generic parameters

This annex contains definitions for generic parameters used in this and other Standards.

B.1 Addressing information

Table 38 contains the definition of ASN.1 types for encoding PISN addressing information.

Table 38 - Addressing information definitions (sheet 1 of 3)

Addressing-Data-Elements {iso(1) standard(0) pss1-generic-procedures(11582) addressing-data-elements(9)}	
DEFINITIONS EXPLICIT TAGS ::=	
BEGIN	
EXPORTS	PresentedAddressScreened, PresentedAddressUnscreened, PresentedNumberScreened, PresentedNumberUnscreened, Address, PartyNumber, PartySubaddress, ScreeningIndicator, PresentationAllowedIndicator;
PresentedAddressScreened ::=	CHOICE { presentationAllowedAddress [0] IMPLICIT AddressScreened, presentationRestricted [1] IMPLICIT NULL, numberNotAvailableDueToInterworking [2] IMPLICIT NULL, presentationRestrictedAddress [3] IMPLICIT AddressScreened}
PresentedAddressUnscreened ::=	CHOICE { presentationAllowedAddress [0] IMPLICIT Address, presentationRestricted [1] IMPLICIT NULL, numberNotAvailableDueToInterworking [2] IMPLICIT NULL, presentationRestrictedAddress [3] IMPLICIT Address}
PresentedNumberScreened ::=	CHOICE { presentationAllowedAddress [0] IMPLICIT NumberScreened, presentationRestricted [1] IMPLICIT NULL, numberNotAvailableDueToInterworking [2] IMPLICIT NULL, presentationRestrictedAddress [3] IMPLICIT NumberScreened}
PresentedNumberUnscreened ::=	CHOICE { presentationAllowedAddress [0] PartyNumber, presentationRestricted [1] IMPLICIT NULL, numberNotAvailableDueToInterworking [2] IMPLICIT NULL, presentationRestrictedAddress [3] PartyNumber}
AddressScreened ::=	SEQUENCE { PartyNumber, ScreeningIndicator, PartySubaddress OPTIONAL}

Table 38 - Addressing information definitions (sheet 2 of 3)

NumberScreened	::=	SEQUENCE { PartyNumber, ScreeningIndicator}
Address	::=	SEQUENCE { PartyNumber, PartySubaddress OPTIONAL}
PartyNumber	::=	CHOICE { unknownPartyNumber [0] IMPLICIT NumberDigits, -- the numbering plan is the default numbering -- plan of the network. It is recommended that -- this value is used. publicPartyNumber [1] IMPLICIT PublicPartyNumber, -- the numbering plan is according to -- Recommendation E.163 and E.164. dataPartyNumber [3] IMPLICIT NumberDigits, -- not used, value reserved. telexPartyNumber [4] IMPLICIT NumberDigits, -- not used, value reserved. privatePartyNumber [5] IMPLICIT PrivatePartyNumber, nationalStandardPartyNumber [8] IMPLICIT NumberDigits -- not used, value reserved.
PublicPartyNumber	::=	SEQUENCE { publicTypeOfNumber PublicTypeOfNumber, publicNumberDigits NumberDigits}
PrivatePartyNumber	::=	SEQUENCE { privateTypeOfNumber PrivateTypeOfNumber, privateNumberDigits NumberDigits}
NumberDigits	::=	NumericString (SIZE(1..20))
PublicTypeOfNumber	::=	ENUMERATED { unknown (0), -- if used number digits carry prefix indicating type -- of number according to national recommendations. internationalNumber (1), nationalNumber (2), networkSpecificNumber (3), -- not used, value reserved subscriberNumber (4), abbreviatedNumber (6)} -- valid only for called party number at the outgoing -- access, network substitutes appropriate number.
PrivateTypeOfNumber	::=	ENUMERATED { unknown (0), level2RegionalNumber (1), level1RegionalNumber (2), pISNSpecificNumber (3), localNumber (4), abbreviatedNumber (6)}

Table 38 - Addressing information definitions (sheet 3 of 3)

PartySubaddress	::=	CHOICE { UserSpecifiedSubaddress, -- not recommended. NSAPSubaddress} -- according to Recommendation X.213.
UserSpecifiedSubaddress	::=	SEQUENCE { SubaddressInformation, oddCountIndicator BOOLEAN OPTIONAL} -- used when the coding of subaddress is BCD
NSAPSubaddress	::=	OCTET STRING (SIZE(1..20)) -- specified according to X.213. Some networks may -- limit the subaddress value to some other length -- e.g. 4 octets
SubaddressInformation	::=	OCTET STRING (SIZE(1..20)) -- coded according to user requirements. Some networks -- may limit the subaddress value to some other length -- e.g. 4 octets
ScreeningIndicator	::=	ENUMERATED { userProvidedNotScreened (0), -- number was provided by a remote user terminal -- equipment, and has been screened by a network that -- is not the local public or the local private -- network. userProvidedVerifiedAndPassed (1), -- number was provided by a remote user terminal -- equipment (or by a remote private network), and has -- been screened by the local public or the local -- private network. userProvidedVerifiedAndFailed (2), -- not used, value reserved. networkProvided (3)} -- number was provided by local public or local -- private network.
PresentationAllowedIndicator	::=	BOOLEAN
END -- of Addressing-Data-Elements		

B.2 Notifications

Table 39 defines the ASN.1 NOTIFICATION macro used for defining notifications that can be carried in the Notification indicator as defined in 11.3.4. It also defines the notification value pssIleNotification, the use of which is described in 11.3.4.

B.3 PSS1InformationElement

Table 40 defines the ASN.1 type PSS1InformationElement, the use of which is described in 11.3.3.4.

Table 39 - NOTIFICATION macro definition

```

Notification-macro
  { iso( 1) standard( 0) pss1-generic-procedures( 11582) notification-macro( 10) }
DEFINITIONS ::=
BEGIN
EXPORTS      NOTIFICATION, pss1leNotification;
IMPORTS      PSS1InformationElement FROM PSS1-generic-parameters-definition
  { iso( 1) standard( 0) pss1-generic-procedures( 11582) pss1-generic-parameters( 6)};

NOTIFICATION MACRO ::=
BEGIN
TYPE NOTATION ::= Argument
VALUE NOTATION ::= value ( VALUE CHOICE
                        { localValue      INTEGER,
                          globalValue    OBJECT IDENTIFIER } )
Argument      ::= "ARGUMENT" NamedType
NamedType     ::= identifier type | type

END -- of NOTIFICATION MACRO

-- this notification is used to convey information elements used as notifications
-- across a PISN
pss1leNotification      NOTIFICATION
                        ARGUMENT      PSS1InformationElement
                        ::= localValue2001

END -- of Notification-macro

```

Table 40 - PSS1 information element

```

PSS1-generic-parameters-definition
  { iso( 1) standard( 0) pss1-generic-procedures( 11582) pss1-generic-parameters( 6)}

DEFINITIONS ::=
BEGIN

EXPORTS      PSS1InformationElement;

PSS1InformationElement ::= [APPLICATION 0] IMPLICIT OCTET STRING

END -- of PSS1 Generic parameters definition

```

Annex C

(informative)

Application of the functional protocol

C.1 Examples of the use of the functional protocol over the PISN

This annex contains examples of the use and encoding of the functional protocol (as defined in clauses 6 to 9 of this Standard. It is intended as an example of the potential application or use of the protocol and is not intended to constrain the definition of particular supplementary services.

C.2 Call related supplementary services

In the figures in this clause, the notation shown in figure 16 is used when referring to messages between PINXs.

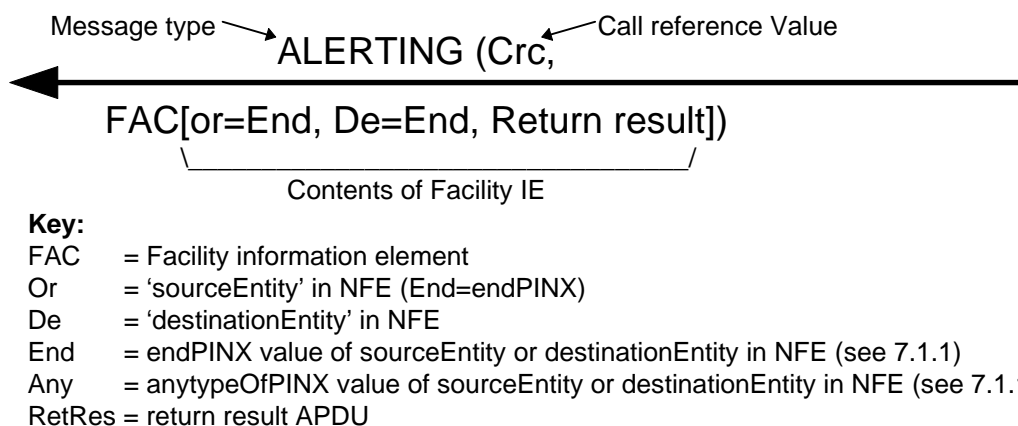


Figure 16 - Notation for Call related supplementary services example message flows

C.2.1 Call Establishment

C.2.1.1 End to end Service request

In this example, a service invocation is passed between the End PINXs involved in a call, during call establishment. The supplementary service uses, as an example, operation hypotheticalService as defined in module Hypothetical-service-operation in table 45 in annex F, without any manufacturer specific extension.

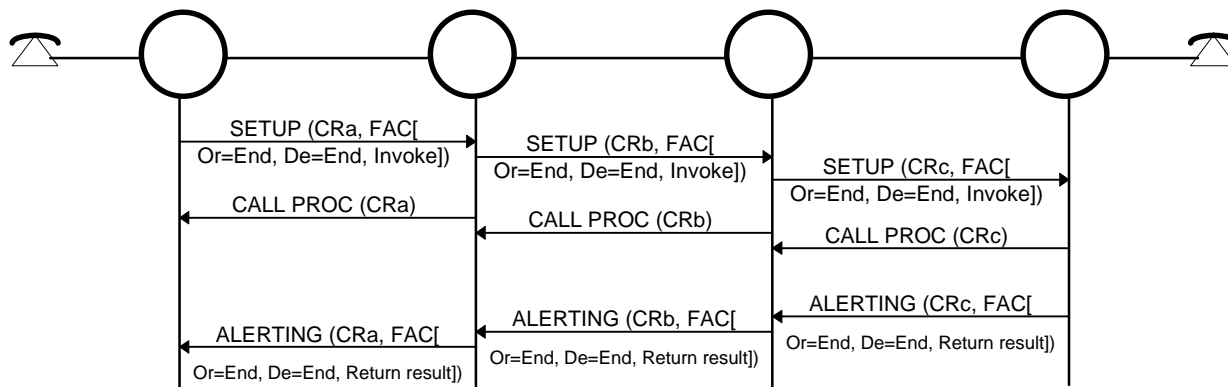


Figure 17 - End to end service invocation on call setup

NOTE

Depending on the particular service, the result of processing the invocation may cause the call setup to fail in some circumstances.

Figure 17 shows the transport of the end to end service request and response during call setup. Figure 18 shows the encoding of the Facility information element sent in the original SETUP message. It contains an invoke APDU with a single integer argument (hypotheticalParameter1) and the operation value is given by its object identifier:

```
{ iso(1) standard(0)
  hypothetical-standard( 2222222)
  hypothetical-operation(10) }
```

This results in an object identifier of 6 octets in length, encoded in accordance with clause 22 of X.209.

The invoke identifier chosen for this example was the arbitrary value '2'. This identifier is generated by the originator of the invoke APDU so that any response received via the same underlying association (in this case the Basic call) can be correlated with the originally sent invoke APDU. The encoding of the return result APDU (sent in the ALERTING message of figure 17) in figure 19 illustrates the use of the invoke identifier to perform this correlation.

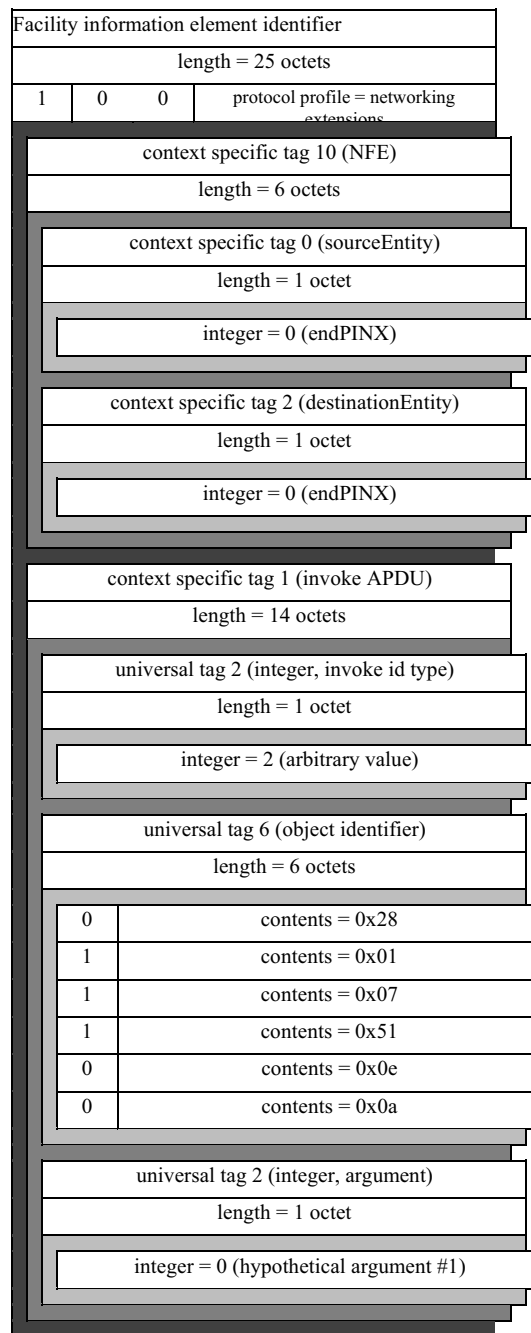


Figure 18 - Encoding of invoke APDU from figure 17

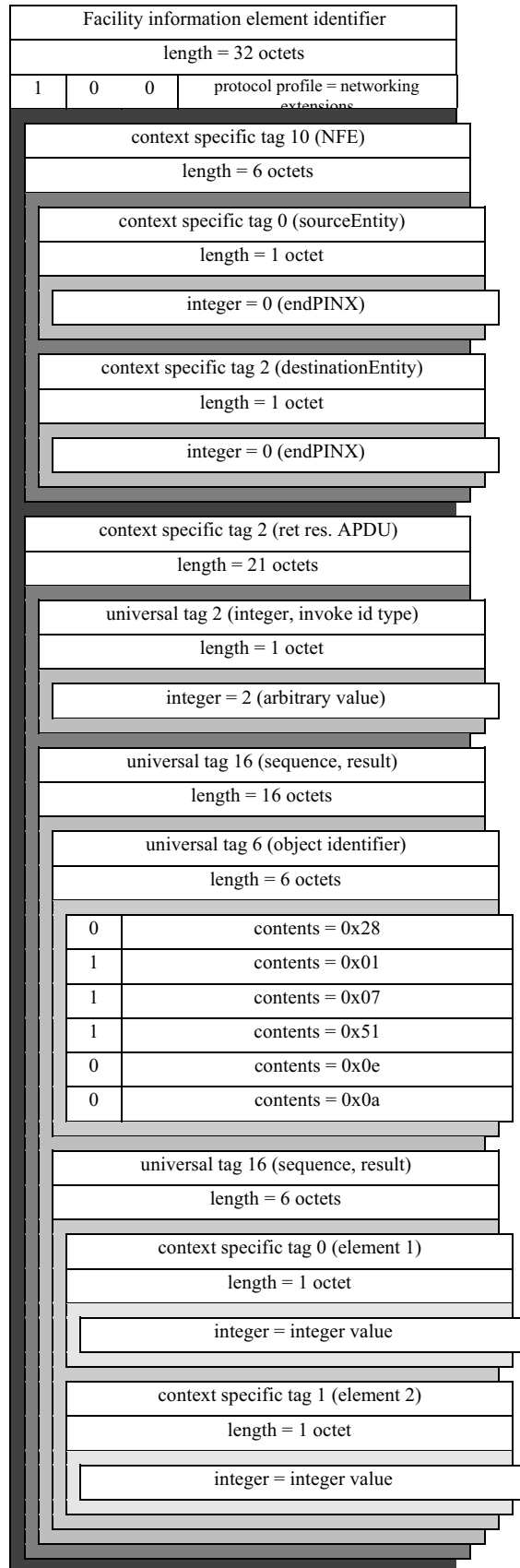


Figure 19 - Encoding of return result APDU from ALERTING message of figure 17

C.2.1.2 Link Service Request

Figure 20 shows an example of a link by link service request and response during call setup. The service request is between two transit PINXs and does not contain a Network Facility Extension octet group.

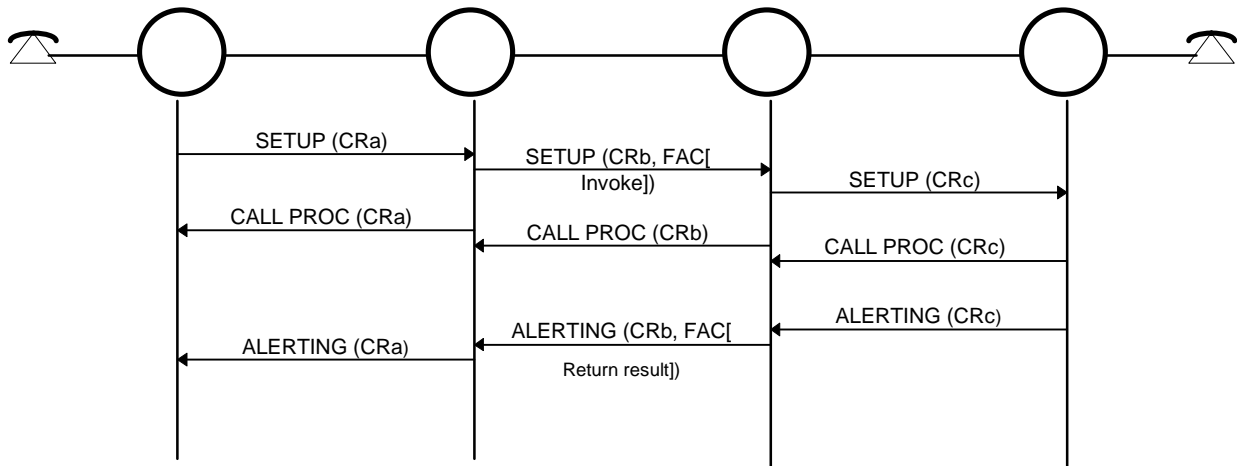


Figure 20 - Link service request on call setup

C.2.2 Call Clearing

C.2.2.1 End to End Request

Figure 21 shows a call being cleared across the network, with an end to end service request. This request is a Class 5 ROSE operation which requires no response.

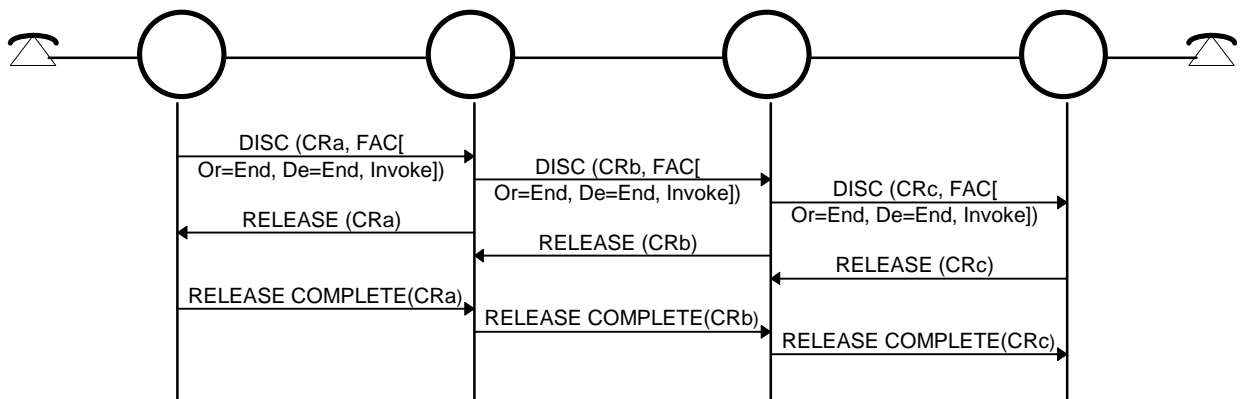


Figure 21 - End to end service request on call clearing

C.2.2.2 Link Service Request

Figure 22 shows a call being cleared across the network, with a link service request between two Transit PINXs.

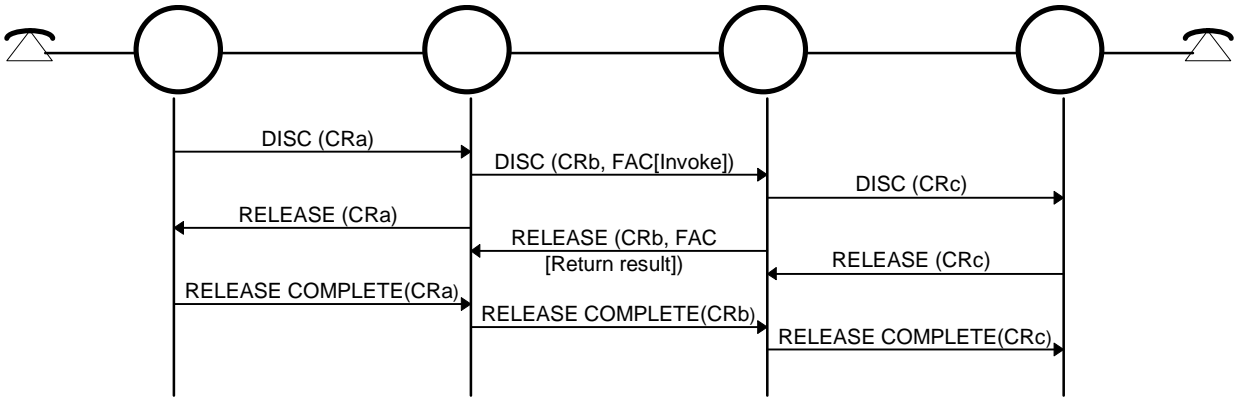


Figure 22 - link service request on call clearing

C.2.3 Call Active

C.2.3.1 End to End Request

Figure 23 shows an end to end service request and response during the active state of a call.

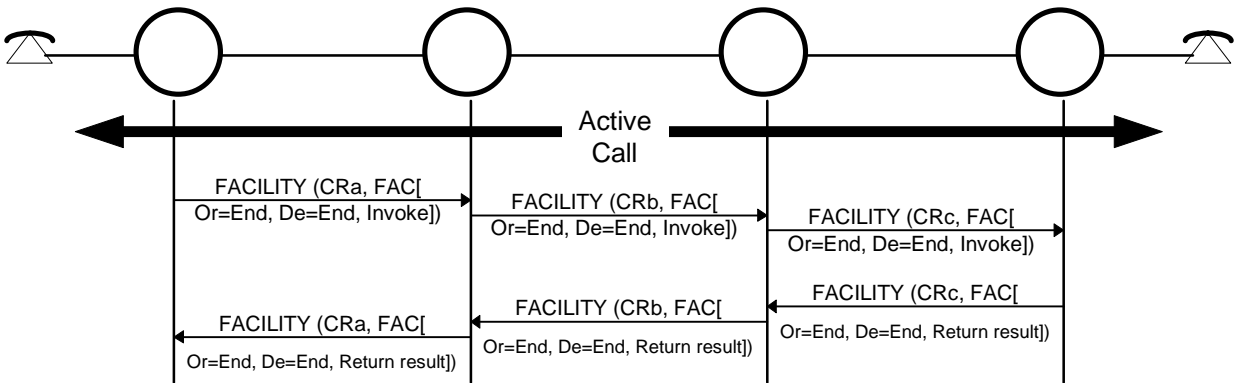


Figure 23 - End to End service request during active call

C.2.3.2 Link Service Request

Figure 24 shows a link by link service request and response during the active state of a call.

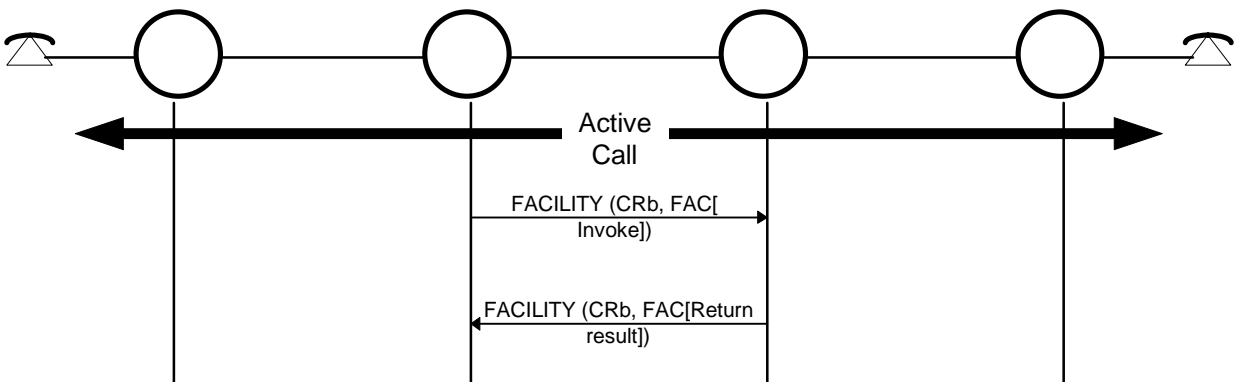


Figure 24 - Link by Link service request during active call

C.3 Call independent supplementary services

In this clause, the notation shown in figures 25 and 26 is used when referring to messages between PINXs.

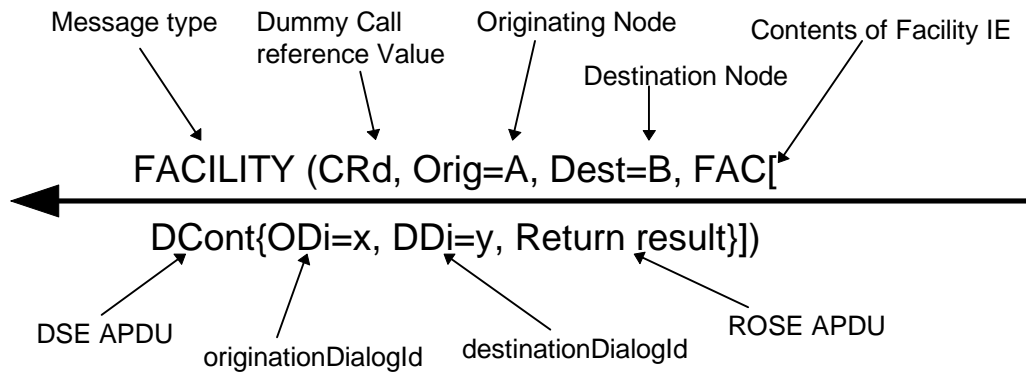


Figure 25 - Notation for Connectionless Call independent message sequence examples

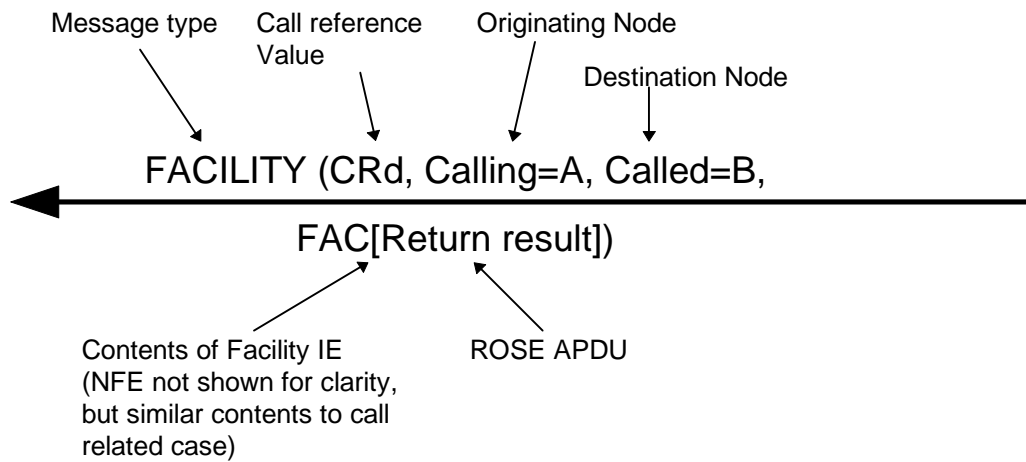


Figure 26 - Notation for Connection oriented Call independent message sequence examples

The abbreviations DCont, DBeg and DEnd refer to the DialogContinuePDU, DialogBeginPDU and DialogEndPDU respectively, defined in clause 8.

C.3.1 Connectionless Transport

Figure 27 shows service requests which are passed between two PINXs

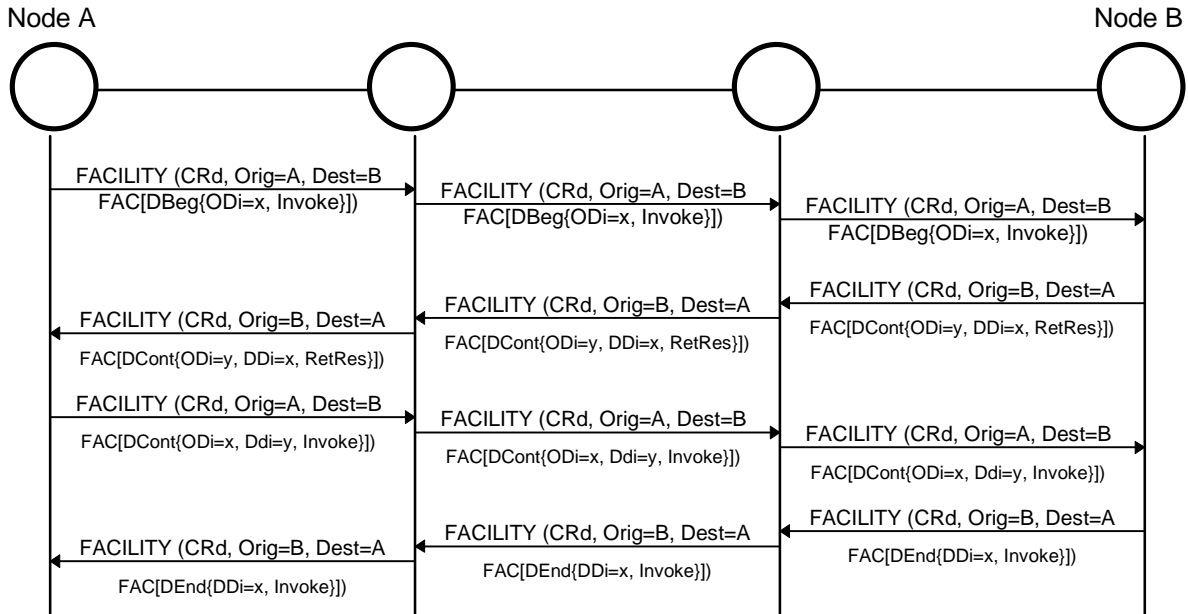


Figure 27 - Connectionless end to end service

C.3.2 Connection oriented Transport

Figure 28 shows the establishment, active and clearing phases of a Call independent signalling connection between two PINXs

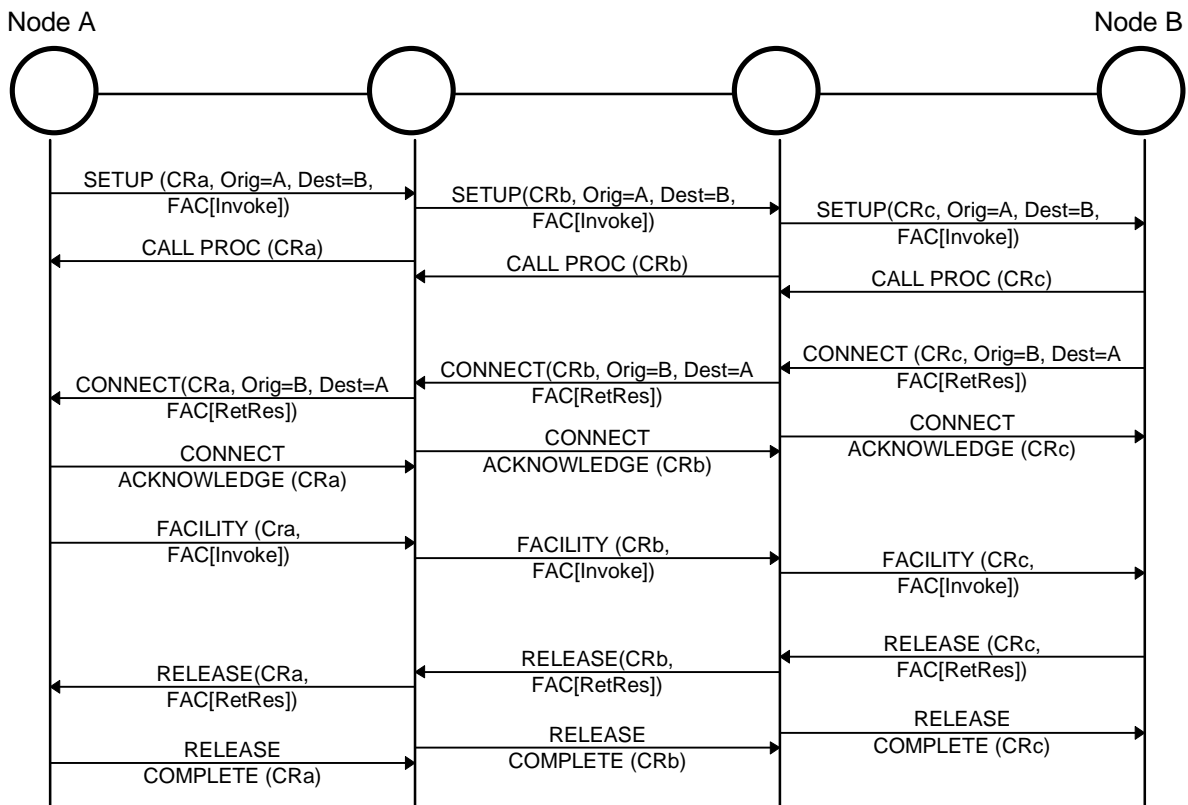


Figure 28 - Connection oriented signalling connection

Annex D

(informative)

Remote operations protocol and application association control

The remote operations (RO) protocol is defined in CCITT Recommendations X.219/X.229. The generic procedures defined in this Standard provide an encoding mechanism for the transport and use of this RO protocol in the PISN environment for the provision of supplementary services or additional network features.

In the OSI environment, communication between application processes is represented in terms of communication between a pair of application entities (AEs). Communication between application entities are inherently interactive. Typically, one entity requests that a particular operation be performed; the other entity attempts to perform the operation and then reports the outcome of the attempts. The concept of Remote Operations is a vehicle for supporting interactive applications of this type.

The generic structure of an operation is an elementary request/reply interaction. Operations are carried out within the context of an application-association.

Figure 29 models this view.

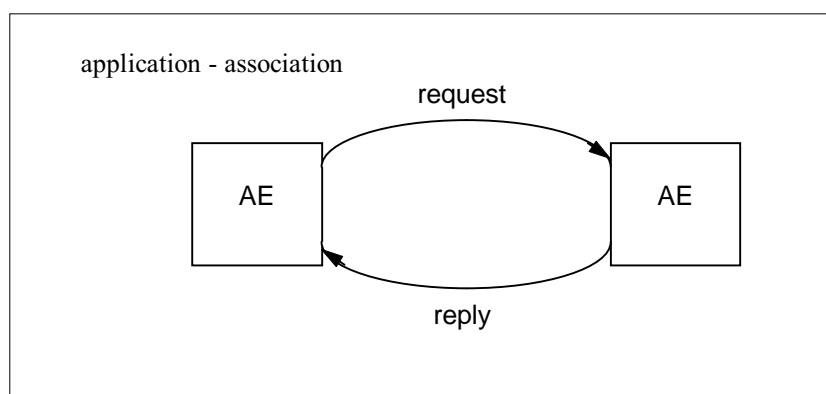


Figure 29 - Remote Operations Model

Operations invoked by one AE (the invoker) are performed by the other AE (the performer). Operations may be classified according to whether the performer of an operation is expected to report its outcome:

- in the case of success or failure (a result reply is returned if the operation is successful, an error reply is returned if the operation is unsuccessful);
- in case of failure only (no reply is returned if the operation is successful, an error reply is returned if the operation is unsuccessful);
- in case of success only (a result reply is returned if the operation is successful, no reply is returned if the operation is unsuccessful);
- or not at all (neither a result nor an error reply is returned, whether the operation was successful or not).

Operations may also be classified according to two possible operation modes: synchronous, in which the invoker requires a reply from the performer before invoking another operation; and asynchronous, in which the invoker may continue to invoke further operations without awaiting a reply.

The following Operation Classes are defined:

- Operation Class 1: Synchronous, reporting success or failure (result or error).
- Operation Class 2: Asynchronous, reporting success or failure (result or error).
- Operation Class 3: Asynchronous, reporting failure (error) only, if any.
- Operation Class 4: Asynchronous, reporting success (result) only.
- Operation Class 5: Asynchronous, outcome not reported.

The Operation Class of each operation has to be agreed between application entities (e.g. in an Application Protocol Standard).

In some cases, it is useful to group operations into a set of linked operations which is formed by one parent operation and one or more child operations. The performer of the parent operation may invoke none, one, or more child operations during the execution of the parent operation. The invoker of the parent operation is the performer of the child operations. A child operation may be a parent operation of another set of linked operations in a recursive manner. Figure 30 models this concept.

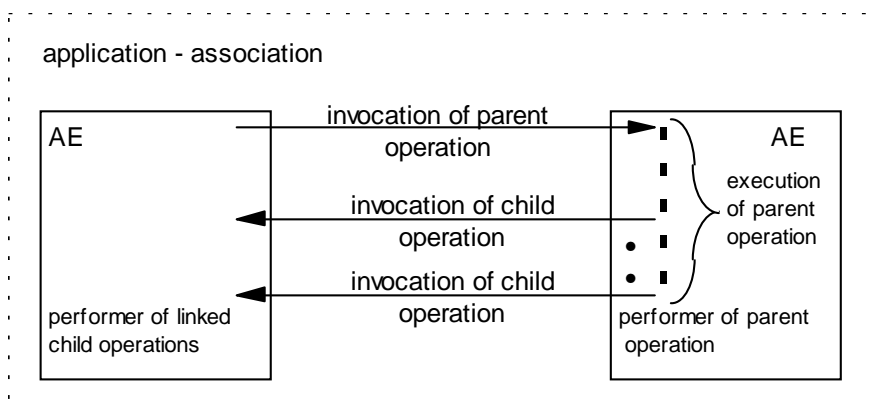


Figure 30 - Linked Operations

An application association defines the relationship between a pair of AEs, and is formed by the exchange of application (in this case supplementary services) Protocol Control information through the use of the services of underlying layers. The AE that initiates an association is called the association initiating AE, or the association initiator, while the AE that responds to the initiation of an application association by another AE is called the association responding AE, or the association responder.

NOTE

In the application of ROSE for the support of supplementary services in PSSI the underlying services used by ROSE are those provided by GFT-Control or those provided by the Association Control Service Entity (ACSE). No use is made of the services of the Reliable Transport Service Element (RTSE).

Application associations are classified by which application-entity is allowed to invoke operations:

- Association Class 1: Only the association-initiating application-entity can invoke operations.
- Association Class 2: Only the association-responding application-entity can invoke operations.
- Association Class 3: Both the association-initiating and the association-responding application-entities can invoke operations.

This Standard assumes Application associations of Association Class 3.

The explicit control of an application-association (establishment, release and abort) is performed by the Association Control Service Element (ACSE) defined in Recommendation X.217. Implicit application-associations may be provided as indicated in 6.1.

Annex E

(informative)

Formal ROSE Definitions

Table 41 in this annex is an extract from CCITT Recommendation X.219 which describes the OPERATION and ERROR macros used for Remote operations.

Table 41 - Formal definition of Data Types (extract from X.219, Blue Book) (sheet 1 of 2)

Remote-Operation-Notation		
{ joint-iso-ccitt(2) remote-operations(4) notation(0) }		
DEFINITIONS	::=	
BEGIN		
EXPORTS		BIND, UNBIND, OPERATION, ERROR;
BIND MACRO	::=	
BEGIN		
TYPE NOTATION	::=	Argument Result Error
VALUE NOTATION	::=	Argument-value Result-value Error-value
Argument	::=	empty "ARGUMENT" Name type (Argument-type)
Result	::=	empty "RESULT" Name type (Result-type)
Error	::=	empty "BIND-ERROR" Name type (Error-type)
Name	::=	empty identifier
Argument-value	::=	empty "ARGUMENT" value (Arg-value Argument-type) <VALUE [16] EXPLICIT Argument-type ::= Arg-value>
Result-value	::=	empty "RESULT" value (Res-value Result-type) <VALUE [17] EXPLICIT Result-type ::= Res-value>
Error-value	::=	empty "ERROR" value (Err-value Error-type) <VALUE [18] EXPLICIT Error-type ::= Err-value>
END	-- of BIND macro	
UNBIND MACRO	::=	
BEGIN		
TYPE NOTATION	::=	Argument Result Errors
VALUE NOTATION	::=	Argument-value Result-value Error-value
Argument	::=	empty "ARGUMENT" Name type (Argument-type)
Result	::=	empty "RESULT" Name type (Result-type)
Error	::=	empty "UNBIND-ERROR" Name type (Error-type)
Name	::=	empty identifier
Argument-value	::=	empty "ARGUMENT" value (Arg-value Argument-type) <VALUE [19] EXPLICIT Argument-type ::= Arg-value>
Result-value	::=	empty "RESULT" value (Res-value Result-type) <VALUE [20] EXPLICIT Result-type ::= Res-value>
Error-value	::=	empty "ERROR" value (Err-value Error-type) <VALUE [21] EXPLICIT Error-type ::= Err-value>
END	-- of UNBIND macro	

Table 41 - Formal definition of Data Types (extract from X.219, Blue Book) (sheet 2 of 2)

OPERATION MACRO	::=	
BEGIN		
TYPE NOTATION	::=	Argument Result Errors LinkedOperations
VALUE NOTATION	::=	value (VALUE CHOICE
		{ localValue INTEGER,
		globalValue OBJECT IDENTIFIER
		}
)
Argument	::=	“ARGUMENT” NamedType empty
Result	::=	“RESULT” ResultType empty
Errors	::=	“ERRORS” “{“ ErrorNames “}” empty
LinkedOperations	::=	“LINKED” “{“ LinkedOperationNames “}” empty
NamedType	::=	identifier type type
ResultType	::=	NamedType empty
ErrorNames	::=	ErrorList empty
ErrorList	::=	Error ErrorList “,” Error
Error	::=	value (ERROR) type
LinkedOperationNames	::=	OperationList empty
OperationList	::=	Operation OperationList “,” Operation
Operation	::=	value (OPERATION) type
END	-- of OPERATION MACRO	
ERROR MACRO	::=	
BEGIN		
TYPE NOTATION	::=	Parameter
VALUE NOTATION	::=	value (VALUE CHOICE
		{ localValue INTEGER,
		globalValue OBJECT IDENTIFIER
		}
)
Parameter	::=	“PARAMETER” NamedType empty
NamedType	::=	identifier type type
END	-- of ERROR MACRO	
END	-- of Remote Operations Notations	

Annex F

(informative)

Examples of the use of Manufacturer specific information

F.1 Manufacturer Specific Object Identifiers in Operation Values

As defined in 9.1, manufacturers who wish to provide manufacturer specific supplementary services in a standardised manner should use unique operation values, constructed using manufacturer specific object identifiers.

Manufacturer specific object identifiers may be constructed in the following way. Manufacturers requiring an assigned identification may apply to a “Sponsoring and Issuing organisation” according to ISO/IEC 6523 and be assigned an organisation identifier. The manufacturer should then use that organisation identifier in an object identifier (as the root of the manufacturer specific service operation value) according to the structure defined by the issuing organisation.

One example of a regional Sponsoring and issuing organisation is ECMA, which has been assigned an International Code Designator (ICD). ECMA will assign values to ECMA member companies in its object identifier root. The use of ECMA issued organisation identifiers in object identifiers is as shown in table 42. PINXs conforming to this Standard can make use of an organisation identifier issued by any “sponsoring and issuing organisation” (e.g. ECMA or a National Standards Body).

Table 42 - Structure of ECMA Object Identifier

level 1:	iso(1)
level 2:	identified-organization(3)
level 3:	icd-ecma(0012)
level 4:	a) standard(0) b) technical-report(1) c) member-company(2) d) private-ISDN-signalling-domain(9)
level 5:	for c) of level 4: organisation identifier assigned by ECMA
level 6:	this level and others below it are used to suit the purpose of the organisation assigned the value at Level 5.

Thus, according to table 42, the ECMA object identifier for a company with the assigned organisation code ‘1999’ (all organisation codes issued by ECMA have 4 digits of which the first is always ‘1’), may be structured as shown in table 43. The contents of level 6 is manufacturer specific and may identify a company specific operation value or may not exist at all. In this example, level 6 provides a manufacturer specific operation value.

Table 43 - ECMA Object identifier for hypothetical manufacturer specific service operation

<p>Object identifier for hypothetical manufacturer specific service operation value:</p> <p>HypotheticalManufacturerSpecificSupplementaryService ::= { iso(1) identified-organization(3) icd-ecma(0012) member-company(2) hypothetical-manufacturer(1999) hypothetical-manufacturer-service(1) }</p> <p>In pure numeric notation, this would be:</p> <p>{ 1 3 0012 2 1999 1 }</p> <p>(This shall be encoded as described in CCITT recommendation X.209)</p>

This object identifier value would then be used in the definition of the manufacturer specific operation (internally to that manufacturer). An example of a manufacturer specific operation definition is shown in table 44.

F.2 Manufacturer specific extensions to standardised supplementary services

An example of the use of the element of type Extension (defined in 9.2) in a standardised supplementary services definition is given in table 45 for a hypothetical ISO standard number '2222222'. In the operation definitions for standardised supplementary services, the following constructs are used:

- where the standardised parameter (argument of invoke APDU, result of return result APDU) is a single value (e.g. INTEGER), the Standard can instead specify a SEQUENCE containing a CHOICE of an element of type Extension or a SEQUENCE of elements of type Extension. Thus, the parameter would then become:

```
Parameter ::= CHOICE
{
  INTEGER,
  SEQUENCE
  {
    INTEGER,
    CHOICE
    {
      [1] IMPLICIT Extension,
      [2] IMPLICIT SEQUENCE OF Extension
    } OPTIONAL
  }
}
```

- where the parameter is a SEQUENCE type, this would be replaced by a SEQUENCE containing a CHOICE of an element of type Extension or a SEQUENCE of elements of type Extension. Thus, the parameter would then become:

```
Parameter ::= SEQUENCE
{
  List-of-Standard-parameter-types,
  CHOICE
  {
    [1] IMPLICIT Extension,
    [2] IMPLICIT SEQUENCE OF Extension
  } OPTIONAL
}
```

– where there is no defined parameter, a parameter should be added as shown below:

```
Parameter ::= CHOICE
    {
        NULL,
        [1] IMPLICIT Extension,
        [2] IMPLICIT SEQUENCE OF Extension
    }
```

NOTE

The use of implicit tagging within the CHOICE construct containing elements of type Extension should be used consistent with the context specific tags used in the remainder of the SEQUENCE in which it is contained.

In this way, manufacturer specific additions to standardised supplementary services may be included in a generic and backwards compatible manner. The manufacturer object identifier (shown in table 44 above) should be encoded in the same manner as described in 9.1.

The use of a SEQUENCE of elements of type Extension allows the coexistence of a number of different extensions to the standardised supplementary service. It also allows for future versions of the standardised service to be backwards compatible with, and to coexist with, manufacturer-specific additions to the original supplementary service.

Table 44 - Example of manufacturer specific operation

Hypothetical-service-operation	
{ iso identified-organization icd-ecma member-company hypothetical-manufacturer hypothetical-service-offering }	
DEFINITIONS	::=
BEGIN	
IMPORTS	OPERATION FROM Remote-Operation-Notation { joint-iso-ccitt(2) remote-operations(4) notation(0) };
hypotheticalService	OPERATION
ARGUMENT	HypotheticalArgument
RESULT	HypotheticalResult
	::= globalValue { iso(1) identified-organization(3) icd-ecma(0012) member-company(2) hypothetical-manufacturer(1999) hypothetical-manufacturer-service(1) }
HypotheticalArgument	::= INTEGER
	{ hypotheticalParameter1(0), hypotheticalParameter2(1) }
HypotheticalResult	::= INTEGER
	{ hypotheticalResult1(0), hypotheticalResult2(1) }
END	-- of hypothetical-manufacturer-service-operation

Table 45 - Example definition of standardised operation with elements of type extension

```
Hypothetical-service-operation
{ iso standard hypothetical-Standard( 2222222) first-and-only-module( 0) }

DEFINITIONS ::=
BEGIN

IMPORTS OPERATION FROM Remote-Operation-Notation
    { joint-iso-ccitt( 2) remote-operations( 4) notation( 0) }
    Extension FROM Manufacturer-specific-service-extension-definition
    { iso standard pss1-generic-procedures( 11582) msi-definition( 0)};

hypotheticalService OPERATION
    ARGUMENT CHOICE
    { NormalIntegerArgument,
      SEQUENCE
      { NormalIntegerArgument,
        extension CHOICE
        { [2] IMPLICIT Extension
          [3] IMPLICIT SEQUENCE OF Extension
        } OPTIONAL
      }
    }
    RESULT SEQUENCE
    { ListOfNormalResultSequenceElements,
      extension CHOICE
      { [2] IMPLICIT Extension
        [3] IMPLICIT SEQUENCE OF Extension
      } OPTIONAL
    }
    ::= globalValue { iso standard hypothetical-standard( 2222222)
      hypothetical-operation( 10) }

NormalIntegerArgument ::= INTEGER
    { hypotheticalParameter1( 0),
      hypotheticalParameter2( 1)
    }

ListOfNormalResultSequenceElements ::= SEQUENCE
    { normalResultSequenceElement1 [0] IMPLICIT INTEGER,
      normalResultSequenceElement2 [1] IMPLICIT INTEGER }

END -- of hypothetical-service-operation
```

Annex G
(informative)

Problem code definitions

Table 46 - Problem Code Definitions

General Problem:	
— unrecognizedPDU	signifies that the type of the APDU as evidenced by its Type identifier, is not defined in clause 11.
— mistypedPDU	signifies that the structure of the APDU does not conform to that defined in clause 11.
— badlyStructuredPDU	signifies that the structure of the APDU does not conform to the Standard notation and encoding rules, defined in CCITT Recommendations X.208 and X.209.
Invoke problem:	
— duplicatedInvocation	signifies that the Invoked-identifier parameter violates the assignment rules of CCITT Recommendation X.219.
— unrecognizedOperation	signifies that the type of the operation is not one of those supported.
— mistypedArgument	signifies that the type of the operation argument supplied is not expected.
— resourceLimitation	the performing PINX is not able to perform the invoked operation due to resource limitation.
— initiatorReleasing	the association initiator is not willing to perform the invoked operation because it is about to attempt to release the application association.
— unrecognizedLinkedId	signifies that there is no operation in progress with an Invoke identifier equal to the specified Linked identifier.
— linkedResponseUnexpected	signifies that the invoked operation referred to by the Linked identifier is not a parent operation.
— unexpectedChildOperation	signifies that the invoked child operation is not one that the invoked parent operation referred to by the Linked identifier allows.
Return result problem:	
— unrecognizedInvocation	signifies that no operation with the specified invoke identifier is in progress
— resultResponseUnexpected	signifies that the invoked operation does not report a result
— mistypedResult	signifies that the type of the Result parameter supplied is not expected.
Return error problem:	
— unrecognizedInvocation	signifies that no operation with the specified invoke identifier is in progress
— errorResponseUnexpected	signifies that the invoked operation does not report failure.
— unrecognizedError	signifies that the reported error is not one expected.
— unexpectedError	signifies that the reported error is not one that the invoked operation may report.
— mistypedParameter	signifies that the type of the error parameter supplied is not one that is expected.

Annex H
(informative)

Bibliography

- ISO/IEC 6523 Data interchange - Structures for the Identification of organisations (1984)
- ISO/IEC 11582 Information technology - Telecommunications and information exchange between systems - Private Integrated Services Network - Generic functional protocol for the support of supplementary services - Inter-exchange signalling procedures and protocol (1995)

Difference from ISO/IEC 11582

The reference above does not exist in ISO/IEC 11582.

End of Difference

- ITU-T Rec. Q.932 Generic Procedures for the Control of ISDN Supplementary Services (1993)

Annex I

(informative)

Object identifiers defined in ECMA-165

This annex lists the object identifier values assigned in this Standard and data types, values and macros that are exported from any modules identified by those values. All the object identifiers in this Standard are defined using the ISO object identifier tree. This means that each object identifier value is assigned in the tree:

gfObjectIdentifier ::= iso(1) standard(0) pss1-generic-procedures(11582)

Table 47 lists the module number values and the data types, values and Macros which are exported from these modules.

Table 47 - ASN.1 Module Object identifiers used in ECMA-165

Object Identifier	Reference	Notes
{ gfObjectIdentifier msi-definition(0) }	Table 14, on page 48	Exports: Extension, EXTENSION
{ gfObjectIdentifier association-control-apdus(1) }	Table 35, on page 61	Exports: AcseAPDU
{ gfObjectIdentifier network-facility-extension(2) }	Table 31, on page 56	Exports: NetworkFacilityExtension
{ gfObjectIdentifier interpretation-apdu(3) }	Table 32, on page 57	Exports: InterpretationApdu
{ gfObjectIdentifier dialogue-service-pdus(4) }	Table 33, on page 58	Exports: DseAPDU
{ gfObjectIdentifier remote-operations-apdus(5) }	Table 34, on page 60	Exports: RoseAPDU
{ gfObjectIdentifier pss1-generic-parameters(6) }	Table 40, on page 78	Exports: PSS1InformationElement
{ gfObjectIdentifier notification-data-structure(7) }	Table 37, on page 63	Exports: NotificationDataStructure
{ gfObjectIdentifier network-protocol-profile-definition(8) }	Table 29, on page 56	Exports: NetworkProtocolProfile
{ gfObjectIdentifier addressing-data-elements(9) }	Table 38, on page 75	Exports: PresentedAddressScreened, PresentedAddressUnscreened, PresentedNumberScreened, PresentedNumberUnscreened, Address, PartyNumber, PartySubaddress, ScreeningIndicator, PresentationAllowedIndicator
{ gfObjectIdentifier notification-macro(10) }	Table 39, on page 78	Exports: NOTIFICATION, pss1IeNotification

Free printed copies can be ordered from:

ECMA

114 Rue du Rhône

CH-1204 Geneva

Switzerland

Fax: +41 22 849.60.01

Email: documents@ecma.ch

Files of this Standard can be freely downloaded from the ECMA web site (www.ecma.ch). This site gives full information on ECMA, ECMA activities, ECMA Standards and Technical Reports.

ECMA
114 Rue du Rhône
CH-1204 Geneva
Switzerland

See inside cover page for obtaining further soft or hard copies.